



**McGuire Manufacturing Co., Inc.**

60 Grandview Court  
Cheshire, Connecticut 06410  
(203) 699-1801 Fax (203) 699-1813  
customerservice@mcguiremfg.com mcguiremfg.com

**PRODUCT SPECIFICATION**

**Part No.**

**LFBV01**

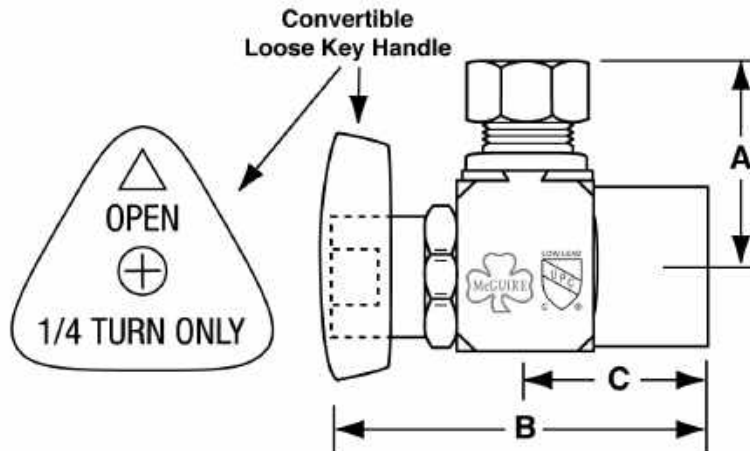
**Quarter-Turn Brass  
Ball Valve**

**Job Name:**

**Submittal Number:**

# Convertible™

## Pipe To Compression



NO.	DESCRIPTION	ROUGHING MEASUREMENTS		
		A	B	C
LFBV01	3/8" I.P.S. x 3/8" O.D.	1-3/16"	2-3/16"	1"

- Rated Operating Pressure: 20-125 PSI
- Rated Operating Temperature: 40-140°F
- Note: 180°F max. during temporary high-temperature system flush



### Specifications:

Convertible quarter-turn brass ball valve, chrome plated commercial pattern with convertible loose key handle. Inlet shall be (3/8", 1/2") IPS. Outlet shall be (3/8") compression. Supply stop valve shall be McGuire \_\_\_\_\_. Supply stop valve shall be certified by recognized testing authority and bear manufacturer and testing mark.



**WARNING:**

This product can expose you to chemicals including lead, which is known to the State of California to cause cancer, and birth defects or other reproductive harm. For more information go to [www.P66Warnings.ca.gov](http://www.P66Warnings.ca.gov).



**McGuire Manufacturing Co., Inc.**

60 Grandview Court

Cheshire, Connecticut 06410

(203) 699-1801 Fax (203) 699-1813

customerservice@mcguiremfg.com mcguiremfg.com

**PRODUCT SPECIFICATION**

**Part No.**

**LFBV2-01**

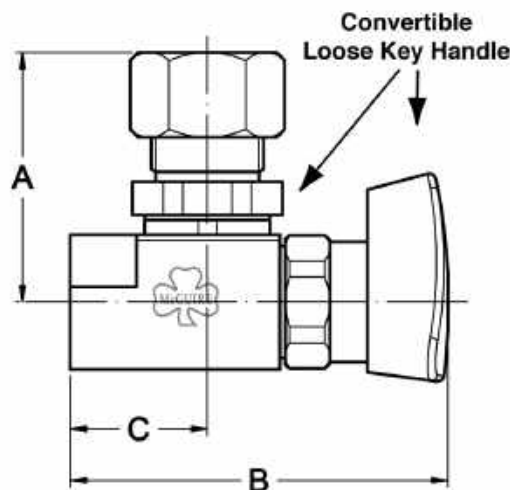
**Quarter-Turn Brass  
Ball Valve**

**Job Name:**

**Submittal Number:**

# Convertible™ II

## Pipe X Compression



NO.	Part Title	A	B	C
LFBV2-01	Angle Stop, IPS X OD, Chrome 3/8 IPS x 3/8 OD WH, Lead Free	1-1/4"	2-1/4"	13/16"

- Rated Operating Pressure: 20-125 PSI
- Rated Operating Temperature: 40-140°F
- Note: 180°F max. during temporary high-temperature system flush



### Specifications:

Lead free convertible quarter-turn brass ball valve, chrome plated commercial valve with convertible loose key handle. Supply stop valve shall be McGuire \_\_\_\_\_  
 Supply stop valve shall be certified by recognized testing authority and bear manufacturer and testing mark.



**WARNING:**

This product can expose you to chemicals including lead, which is known to the State of California to cause cancer, and birth defects or other reproductive harm. For more information go to [www.P65Warnings.ca.gov](http://www.P65Warnings.ca.gov).



**McGuire Manufacturing Co., Inc.**

60 Grandview Court

Cheshire, Connecticut 06410

(203) 699-1801 Fax (203) 699-1813

customerservice@mcguiremfg.com mcguiremfg.com

**PRODUCT SPECIFICATION**

**Part No.**

**LFBV2-02**

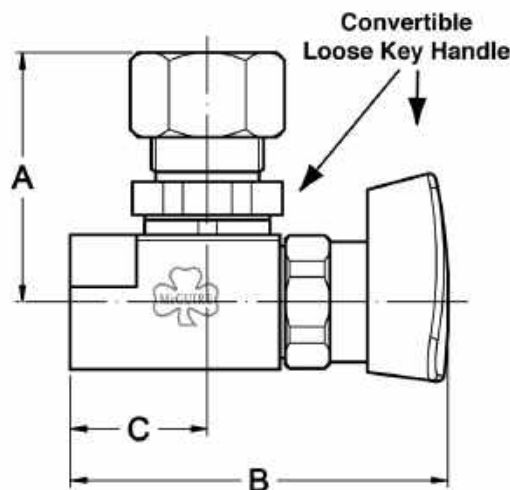
**Quarter-Turn Brass  
Ball Valve**

**Job Name:**

**Submittal Number:**

# Convertible™ II

## Pipe X Compression



NO.	Part Title	A	B	C
LFBV2-02	Angle Stop, IPS X OD, AB1953 1/2 IPS x 3/8 OD WH, Chrome	1-1/4"	2-3/8"	15/16"

- Rated Operating Pressure: 20-125 PSI
- Rated Operating Temperature: 40-140°F
- Note: 180°F max. during temporary high-temperature system flush



### Specifications:

Lead free convertible quarter-turn brass ball valve, chrome plated commercial valve with convertible loose key handle. Supply stop valve shall be McGuire \_\_\_\_\_  
 Supply stop valve shall be certified by recognized testing authority and bear manufacturer and testing mark.



This product can expose you to chemicals including lead, which is known to the State of California to cause cancer, and birth defects or other reproductive harm. For more information go to [www.P65Warnings.ca.gov](http://www.P65Warnings.ca.gov).



**McGuire Manufacturing Co., Inc.**

60 Grandview Court

Cheshire, Connecticut 06410

(203) 699-1801 Fax (203) 699-1813

customerservice@mcguiremfg.com mcguiremfg.com

**PRODUCT SPECIFICATION**

**Part No.**

**LFBV2-03**

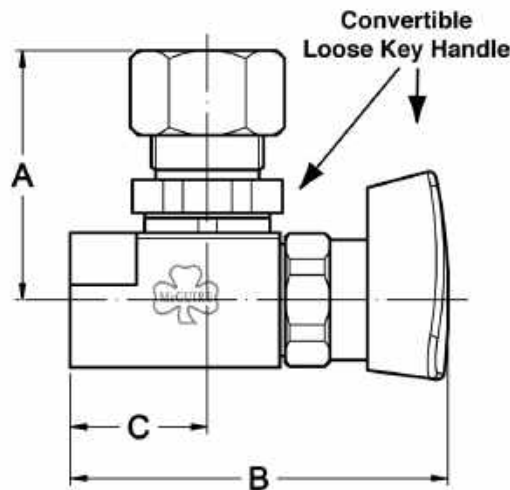
**Quarter-Turn Brass  
Ball Valve**

**Job Name:**

**Submittal Number:**

# Convertible™ II

## Pipe X Compression



NO.	Part Title	A	B	C
LFBV2-03	Angle Stop, IPS X OD, Chrome 3/8 IPS x 1/2 OD WH, Lead Free	1-5/16"	2-1/4"	13/16"

- Rated Operating Pressure: 20-125 PSI
- Rated Operating Temperature: 40-140°F
- Note: 180°F max. during temporary high-temperature system flush



### Specifications:

Lead free convertible quarter-turn brass ball valve, chrome plated commercial valve with convertible loose key handle. Supply stop valve shall be McGuire \_\_\_\_\_  
Supply stop valve shall be certified by recognized testing authority and bear manufacturer and testing mark.



This product can expose you to chemicals including lead, which is known to the State of California to cause cancer, and birth defects or other reproductive harm. For more information go to [www.P65Warnings.ca.gov](http://www.P65Warnings.ca.gov).



**McGuire Manufacturing Co., Inc.**

60 Grandview Court

Cheshire, Connecticut 06410

(203) 699-1801 Fax (203) 699-1813

customerservice@mcguiremfg.com mcguiremfg.com

**PRODUCT SPECIFICATION**

**Part No.**

**LFBV2-3X53**

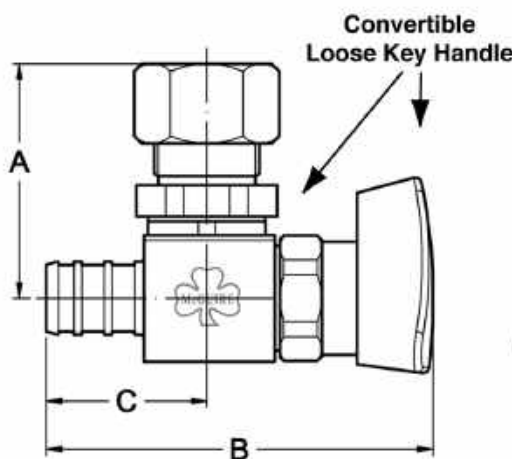
**Quarter-Turn Brass  
Ball Valve**

**Job Name:**

**Submittal Number:**

# Convertible™ II

## PEX-F1807 x Compression



Model No.	Description	Roughing Measurements		
		A	B	C
LFBV2-3X53	Angle Stop, 1/2" PEX-F1807 x 3/8" OD	1-1/4"	2-1/2"	1-1/16"

- Rated Operating Pressure: 20-125 PSI
- Rated Operating Temperature: 40-140°F
- Note: 180°F max. during temporary high-temperature system flush



### Specifications:

Lead free convertible quarter-turn brass ball valve, chrome plated commercial valve with convertible loose key handle. Supply stop valve shall be McGuire \_\_\_\_\_. Supply stop valve shall be certified by recognized testing authority and bear manufacturer and testing mark.



This product can expose you to chemicals including lead, which is known to the State of California to cause cancer, and birth defects or other reproductive harm. For more information go to [www.PB5Warnings.ca.gov](http://www.PB5Warnings.ca.gov).



**McGuire Manufacturing Co., Inc.**

60 Grandview Court

Cheshire, Connecticut 06410

(203) 699-1801 Fax (203) 699-1813

customerservice@mcguiremfg.com mcguiremfg.com

**PRODUCT SPECIFICATION**

**Part No.**

**LFBV2-3X55**

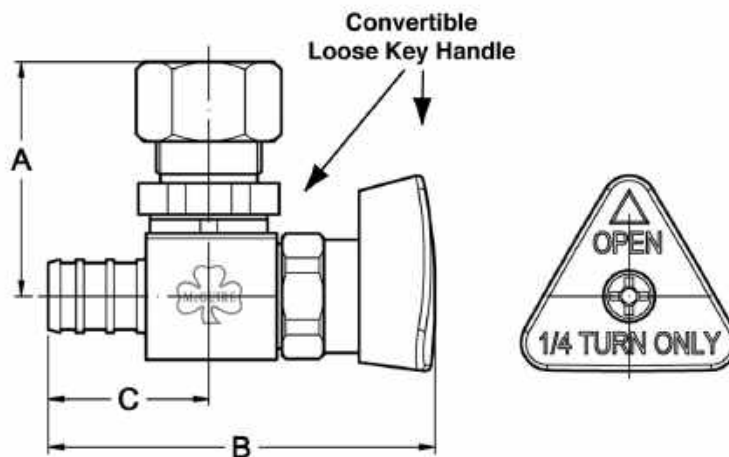
**Quarter-Turn Brass  
Ball Valve**

**Job Name:**

**Submittal Number:**

# Convertible™ II

## PEX-F1807 x Compression



Model No.	Description	Roughing Measurements		
		A	B	C
LFBV2-3X55	Angle Stop, 1/2" PEX-F1807 x 1/2" OD	1-5/16"	2-1/2"	1-1/16"

- Rated Operating Pressure: 20-125 PSI
- Rated Operating Temperature: 40-140°F
- Note: 180°F max. during temporary high-temperature system flush



### Specifications:

Lead free convertible quarter-turn brass ball valve, chrome plated commercial valve with convertible loose key handle. Supply stop valve shall be McGuire \_\_\_\_\_. Supply stop valve shall be certified by recognized testing authority and bear manufacturer and testing mark.



**WARNING:**

This product can expose you to chemicals including lead, which is known to the State of California to cause cancer, and birth defects or other reproductive harm. For more information go to [www.PB5Warnings.ca.gov](http://www.PB5Warnings.ca.gov).



**McGuire Manufacturing Co., Inc.**

60 Grandview Court

Cheshire, Connecticut 06410

(203) 699-1801 Fax (203) 699-1813

customerservice@mcguiremfg.com mcguiremfg.com

**PRODUCT SPECIFICATION**

**Part No.**

**LFBV2-3XST53**

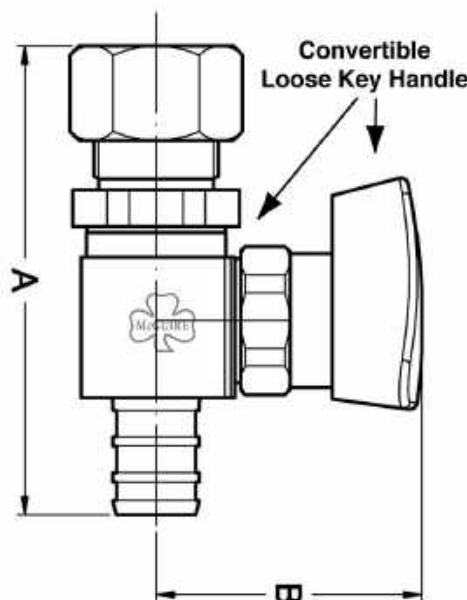
**Quarter-Turn Brass  
Ball Valve**

**Job Name:**

**Submittal Number:**

# Convertible™ II

## PEX-F1807 x Compression



Model No.	Description	Roughing Measurements	
		A	B
LFBV2-3XST53	Straight Stop, 1/2" PEX-F1807 x 3/8" OD	1-1/2"	2-4/5"

- Rated Operating Pressure: 20-125 PSI
- Rated Operating Temperature: 40-140°F
- Note: 180°F max. during temporary high-temperature system flush



### Specifications:

Lead free convertible quarter-turn brass ball valve, chrome plated commercial valve with convertible loose key handle. Supply stop valve shall be McGuire \_\_\_\_\_  
Supply stop valve shall be certified by recognized testing authority and bear manufacturer and testing mark.



**WARNING:**

This product can expose you to chemicals including lead, which is known to the State of California to cause cancer, and birth defects or other reproductive harm. For more information go to [www.P65Warnings.ca.gov](http://www.P65Warnings.ca.gov).



**McGuire Manufacturing Co., Inc.**

60 Grandview Court

Cheshire, Connecticut 06410

(203) 699-1801 Fax (203) 699-1813

customerservice@mcguiremfg.com mcguiremfg.com

**PRODUCT SPECIFICATION**

**Part No.**

**LFBV2-3XST55**

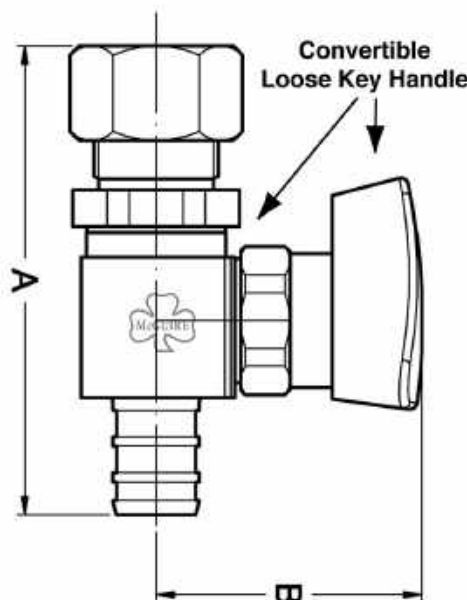
**Quarter-Turn Brass  
Ball Valve**

**Job Name:**

**Submittal Number:**

# Convertible™ II

## PEX-F1807 x Compression



Model No.	Description	Roughing Measurements	
		A	B
LFBV2-3XST55	Straight Stop, 1/2" PEX-F1807 x 1/2" OD	1-1/2"	3"

- Rated Operating Pressure: 20-125 PSI
- Rated Operating Temperature: 40-140°F
- Note: 180°F max. during temporary high-temperature system flush



### Specifications:

Lead free convertible quarter-turn brass ball valve, chrome plated commercial valve with convertible loose key handle. Supply stop valve shall be McGuire \_\_\_\_\_  
Supply stop valve shall be certified by recognized testing authority and bear manufacturer and testing mark.



**WARNING:**

This product can expose you to chemicals including lead, which is known to the State of California to cause cancer, and birth defects or other reproductive harm. For more information go to [www.P65Warnings.ca.gov](http://www.P65Warnings.ca.gov).





**McGuire Manufacturing Co., Inc.**

60 Grandview Court

Cheshire, Connecticut 06410

(203) 699-1801 Fax (203) 699-1813

customerservice@mcguiremfg.com mcguiremfg.com

**PRODUCT SPECIFICATION**

**Part No.**

**LFBV2-04**

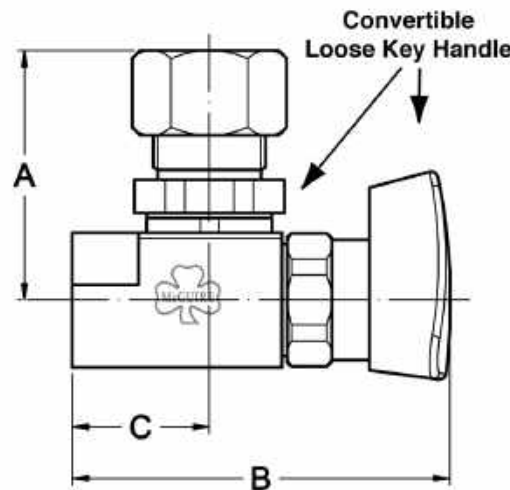
**Quarter-Turn Brass  
Ball Valve**

**Job Name:**

**Submittal Number:**

# Convertible™ II

## Pipe X Compression



NO.	Part Title	A	B	C
LFBV2-04	Angle Stop, IPS X OD, AB1953 1/2 IPS x 1/2 OD WH, Chrome	1-5/16"	2-3/8"	15/16"

- Rated Operating Pressure: 20-125 PSI
- Rated Operating Temperature: 40-140°F
- Note: 180°F max. during temporary high-temperature system flush



### Specifications:

Lead free convertible quarter-turn brass ball valve, chrome plated commercial valve with convertible loose key handle. Supply stop valve shall be McGuire \_\_\_\_\_  
 Supply stop valve shall be certified by recognized testing authority and bear manufacturer and testing mark.



**WARNING:**

This product can expose you to chemicals including lead, which is known to the State of California to cause cancer, and birth defects or other reproductive harm. For more information go to [www.P65Warnings.ca.gov](http://www.P65Warnings.ca.gov).



**McGuire Manufacturing Co., Inc.**

60 Grandview Court

Cheshire, Connecticut 06410

(203) 699-1801 Fax (203) 699-1813

customerservice@mcguiremfg.com mcguiremfg.com

**PRODUCT SPECIFICATION**

**Part No.**

**LFBV2-4P53**

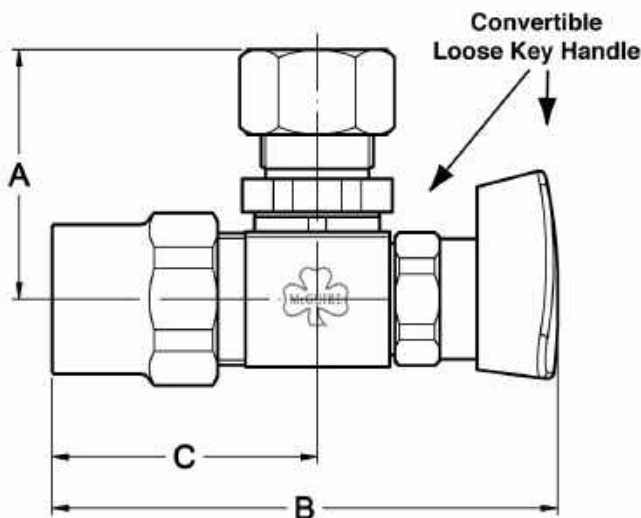
**Quarter-Turn Brass  
Ball Valve**

**Job Name:**

**Submittal Number:**

# Convertible™ II

## CPVC X Compression



NO.	Part Title	A	B	C
LFBV2-4P53	Angle Stop, 1/2 CPVC X 3/8 OD	1-1/4"	3-1/32"	1-9/16"

- Rated Operating Pressure: 20-125 PSI
- Rated Operating Temperature: 40-140°F
- Note: 180°F max. during temporary high-temperature system flush



### Specifications:

Lead free convertible quarter-turn brass ball valve, chrome plated commercial valve with convertible loose key handle. Supply stop valve shall be McGuire \_\_\_\_\_  
 Supply stop valve shall be certified by recognized testing authority and bear manufacturer and testing mark.



**WARNING:**

This product can expose you to chemicals including lead, which is known to the State of California to cause cancer, and birth defects or other reproductive harm. For more information go to [www.P65Warnings.ca.gov](http://www.P65Warnings.ca.gov).



**McGuire Manufacturing Co., Inc.**

60 Grandview Court

Cheshire, Connecticut 06410

(203) 699-1801 Fax (203) 699-1813

customerservice@mcguiremfg.com mcguiremfg.com

**PRODUCT SPECIFICATION**

**Part No.**

**LFBV2-4P55**

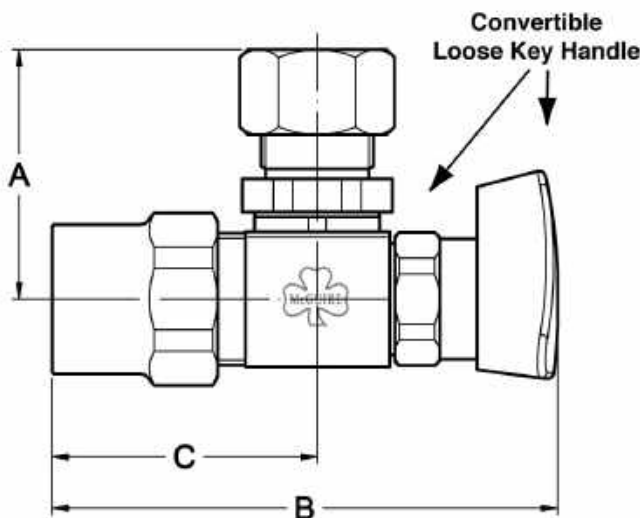
**Quarter-Turn Brass  
Ball Valve**

**Job Name:**

**Submittal Number:**

# Convertible™ II

## CPVC X Compression



NO.	Part Title	A	B	C
LFBV2-4P55	Angle Stop, 1/2 CPVC X 1/2 OD	1-5/16"	3-1/32"	1-9/16"

- Rated Operating Pressure: 20-125 PSI
- Rated Operating Temperature: 40-140°F
- Note: 180°F max. during temporary high-temperature system flush



### Specifications:

Lead free convertible quarter-turn brass ball valve, chrome plated commercial valve with convertible loose key handle. Supply stop valve shall be McGuire \_\_\_\_\_  
 Supply stop valve shall be certified by recognized testing authority and bear manufacturer and testing mark.

#### **WARNING:**

This product can expose you to chemicals including lead, which is known to the State of California to cause cancer, and birth defects or other reproductive harm. For more information go to [www.P65Warnings.ca.gov](http://www.P65Warnings.ca.gov).



**McGuire Manufacturing Co., Inc.**

60 Grandview Court

Cheshire, Connecticut 06410

(203) 699-1801 Fax (203) 699-1813

customerservice@mcguiremfg.com mcguiremfg.com

**PRODUCT SPECIFICATION**

**Part No.**

**LFBV2-4PST53**

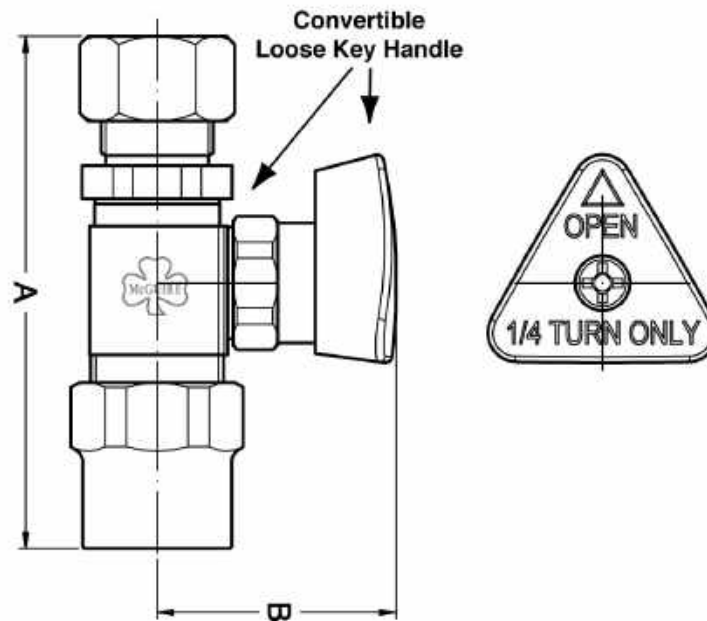
**Quarter-Turn Brass  
Ball Valve**

**Job Name:**

**Submittal Number:**

# Convertible™ II

## CPVC X Compression



NO.	Part Title	A	B
LFBV2-4PST53	Straight Stop, 1/2 CPVC X 3/8 OD	1-1/2"	2-1/5"

- Rated Operating Pressure: 20-125 PSI
- Rated Operating Temperature: 40-140°F
- Note: 180°F max. during temporary high-temperature system flush



### Specifications:

Lead free convertible quarter-turn brass ball valve, chrome plated commercial valve with convertible loose key handle. Supply stop valve shall be McGuire \_\_\_\_\_  
 Supply stop valve shall be certified by recognized testing authority and bear manufacturer and testing mark.



**WARNING:**

This product can expose you to chemicals including lead, which is known to the State of California to cause cancer, and birth defects or other reproductive harm. For more information go to [www.P65Warnings.ca.gov](http://www.P65Warnings.ca.gov).



**McGuire Manufacturing Co., Inc.**

60 Grandview Court

Cheshire, Connecticut 06410

(203) 699-1801 Fax (203) 699-1813

customerservice@mcguiremfg.com mcguiremfg.com

**PRODUCT SPECIFICATION**

**Part No.**

**LFBV2-4PST55**

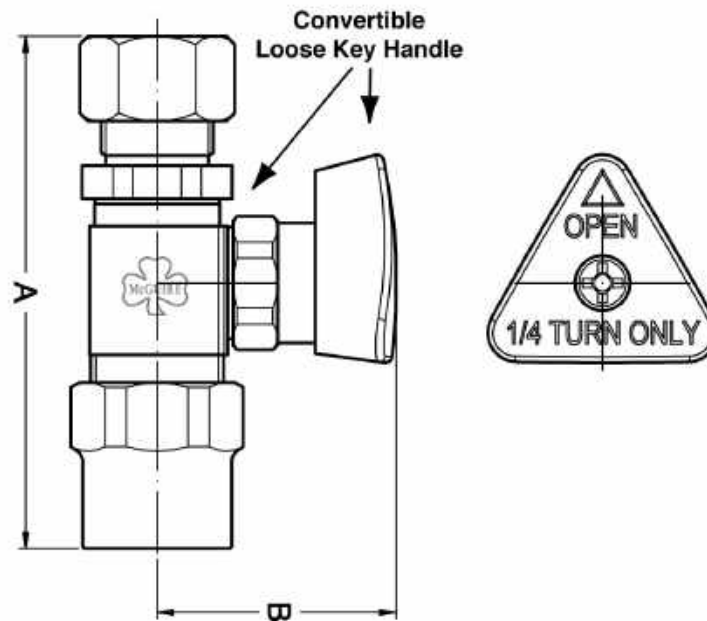
**Quarter-Turn Brass  
Ball Valve**

**Job Name:**

**Submittal Number:**

# Convertible™ II

## CPVC X Compression



NO.	Part Title	A	B
LFBV2-4PST55	Straight Stop, 1/2 CPVC X 1/2 OD	1-1/2"	2-2/5"

- Rated Operating Pressure: 20-125 PSI
- Rated Operating Temperature: 40-140°F
- Note: 180°F max. during temporary high-temperature system flush



### Specifications:

Lead free convertible quarter-turn brass ball valve, chrome plated commercial valve with convertible loose key handle. Supply stop valve shall be McGuire \_\_\_\_\_  
 Supply stop valve shall be certified by recognized testing authority and bear manufacturer and testing mark.



**WARNING:**

This product can expose you to chemicals including lead, which is known to the State of California to cause cancer, and birth defects or other reproductive harm. For more information go to [www.P65Warnings.ca.gov](http://www.P65Warnings.ca.gov).



**McGuire Manufacturing Co., Inc.**

60 Grandview Court

Cheshire, Connecticut 06410

(203) 699-1801 Fax (203) 699-1813

customerservice@mcguiremfg.com mcguiremfg.com

**PRODUCT SPECIFICATION**

**Part No.**

**LFBV2-6X53**

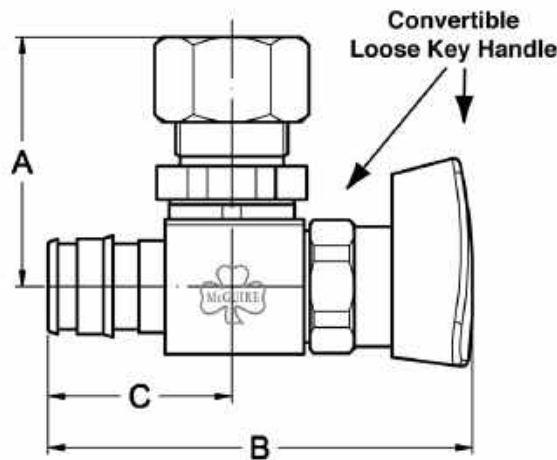
**Quarter-Turn Brass  
Ball Valve**

**Job Name:**

**Submittal Number:**

# Convertible™ II

## PEX-F1960 x Compression



Model No.	Description	Roughing Measurements		
		A	B	C
LFBV2-6X53	Angle Stop, 1/2" PEX-F1960 x 3/8" OD	1-1/4"	2-7/16"	1-5/16"

- Rated Operating Pressure: 20-125 PSI
- Rated Operating Temperature: 40-140°F
- Note: 180°F max. during temporary high-temperature system flush



### Specifications:

Lead free convertible quarter-turn brass ball valve, chrome plated commercial valve with convertible loose key handle. Supply stop valve shall be McGuire \_\_\_\_\_  
Supply stop valve shall be certified by recognized testing authority and bear manufacturer and testing mark.



**WARNING:**

This product can expose you to chemicals including lead, which is known to the State of California to cause cancer, and birth defects or other reproductive harm. For more information go to [www.P65Warnings.ca.gov](http://www.P65Warnings.ca.gov).



**McGuire Manufacturing Co., Inc.**

60 Grandview Court  
Cheshire, Connecticut 06410  
(203) 699-1801 Fax (203) 699-1813  
customerservice@mcguiremfg.com mcguiremfg.com

**PRODUCT SPECIFICATION**

**Part No.**

**LFBV2-6X55**

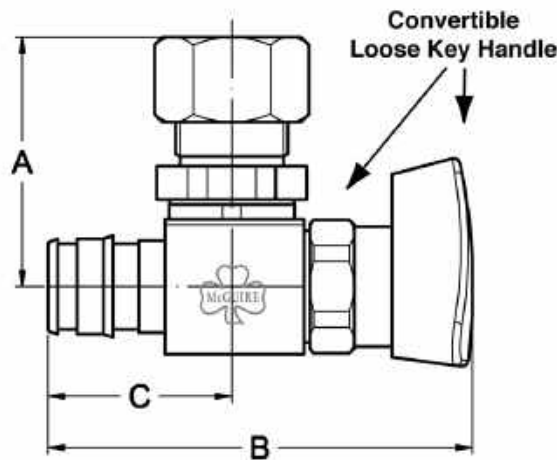
**Quarter-Turn Brass  
Ball Valve**

**Job Name:**

**Submittal Number:**

# Convertible™ II

## PEX-F1960 x Compression



Model No.	Description	Roughing Measurements		
		A	B	C
LFBV2-6X55	Angle Stop, 1/2" PEX-F1960 x 1/2" OD	1-5/16"	2-7/16"	1-5/16"

- Rated Operating Pressure: 20-125 PSI
- Rated Operating Temperature: 40-140°F
- Note: 180°F max. during temporary high-temperature system flush



### Specifications:

Lead free convertible quarter-turn brass ball valve, chrome plated commercial valve with convertible loose key handle. Supply stop valve shall be McGuire \_\_\_\_\_  
Supply stop valve shall be certified by recognized testing authority and bear manufacturer and testing mark.



**WARNING:**

This product can expose you to chemicals including lead, which is known to the State of California to cause cancer, and birth defects or other reproductive harm. For more information go to [www.P65Warnings.ca.gov](http://www.P65Warnings.ca.gov).



**McGuire Manufacturing Co., Inc.**

60 Grandview Court

Cheshire, Connecticut 06410

(203) 699-1801 Fax (203) 699-1813

customerservice@mcguiremfg.com mcguiremfg.com

**PRODUCT SPECIFICATION**

**Part No.**

**LFBV2-07**

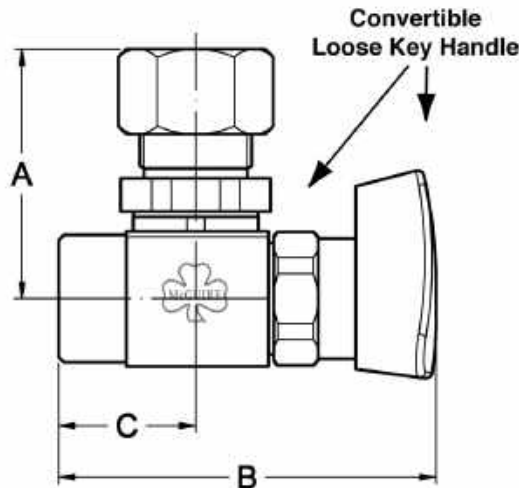
**Quarter-Turn Brass  
Ball Valve**

**Job Name:**

**Submittal Number:**

# Convertible™ II

## Sweat x Compression



Model No.	Description	Roughing Measurements		
		A	B	C
LFBV2-07	Angle Stop, 1/2" Nom Swt x 3/8" OD	1-1/4"	2-1/4"	13/16"

- Rated Operating Pressure: 20-125 PSI
- Rated Operating Temperature: 40-140°F
- Note: 180°F max. during temporary high-temperature system flush



### Specifications:

Lead free convertible quarter-turn brass ball valve, chrome plated commercial valve with convertible loose key handle. Supply stop valve shall be McGuire \_\_\_\_\_  
Supply stop valve shall be certified by recognized testing authority and bear manufacturer and testing mark.



**WARNING:**

This product can expose you to chemicals including lead, which is known to the State of California to cause cancer, and birth defects or other reproductive harm. For more information go to [www.P65Warnings.ca.gov](http://www.P65Warnings.ca.gov).





**McGuire Manufacturing Co., Inc.**

60 Grandview Court

Cheshire, Connecticut 06410

(203) 699-1801 Fax (203) 699-1813

customerservice@mcguiremfg.com mcguiremfg.com

**PRODUCT SPECIFICATION**

**Part No.**

**LFBV2-08**

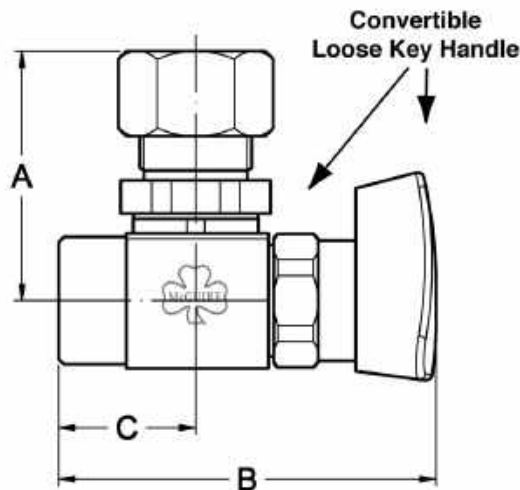
**Quarter-Turn Brass  
Ball Valve**

**Job Name:**

**Submittal Number:**

# Convertible™ II

## Sweat x Compression



Model No.	Description	Roughing Measurements		
		A	B	C
LFBV2-08	Angle Stop, 1/2" Nom Swt x 1/2" OD	1-5/16"	2-1/4"	13/16"

- Rated Operating Pressure: 20-125 PSI
- Rated Operating Temperature: 40-140°F
- Note: 180°F max. during temporary high-temperature system flush



### Specifications:

Lead free convertible quarter-turn brass ball valve, chrome plated commercial valve with convertible loose key handle. Supply stop valve shall be McGuire \_\_\_\_\_  
Supply stop valve shall be certified by recognized testing authority and bear manufacturer and testing mark.



**WARNING:**

This product can expose you to chemicals including lead, which is known to the State of California to cause cancer, and birth defects or other reproductive harm. For more information go to [www.P65Warnings.ca.gov](http://www.P65Warnings.ca.gov).



**McGuire Manufacturing Co., Inc.**

60 Grandview Court

Cheshire, Connecticut 06410

(203) 699-1801 Fax (203) 699-1813

customerservice@mcguiremfg.com mcguiremfg.com

**PRODUCT SPECIFICATION**

**Part No.**

**LFBV2-09**

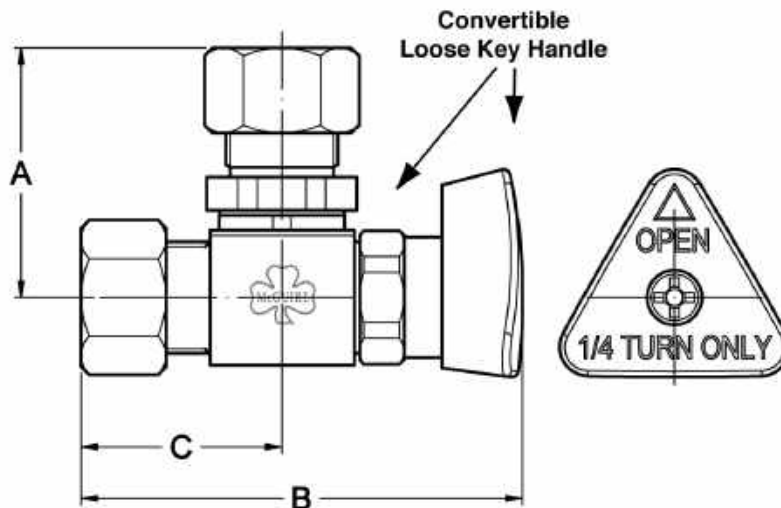
**Quarter-Turn Brass  
Ball Valve**

**Job Name:**

**Submittal Number:**

# Convertible™ II

## Compression X Compression



NO.	Part Title	A	B	C
LFBV2-09	Angle Stop, OD x OD, AB1953 1/2 Nom Comp x 3/8 OD WH.CP	1-1/4"	2-5/8"	1-9/16"

- Rated Operating Pressure: 20-125 PSI
- Rated Operating Temperature: 40-140°F
- Note: 180°F max. during temporary high-temperature system flush



### Specifications:

Lead free convertible quarter-turn brass ball valve, chrome plated commercial valve with convertible loose key handle. Supply stop valve shall be McGuire \_\_\_\_\_  
 Supply stop valve shall be certified by recognized testing authority and bear manufacturer and testing mark.



This product can expose you to chemicals including lead, which is known to the State of California to cause cancer, and birth defects or other reproductive harm. For more information go to [www.P65Warnings.ca.gov](http://www.P65Warnings.ca.gov).



**McGuire Manufacturing Co., Inc.**

60 Grandview Court

Cheshire, Connecticut 06410

(203) 699-1801 Fax (203) 699-1813

customerservice@mcguiremfg.com mcguiremfg.com

**PRODUCT SPECIFICATION**

**Part No.**

**LFBV2-10**

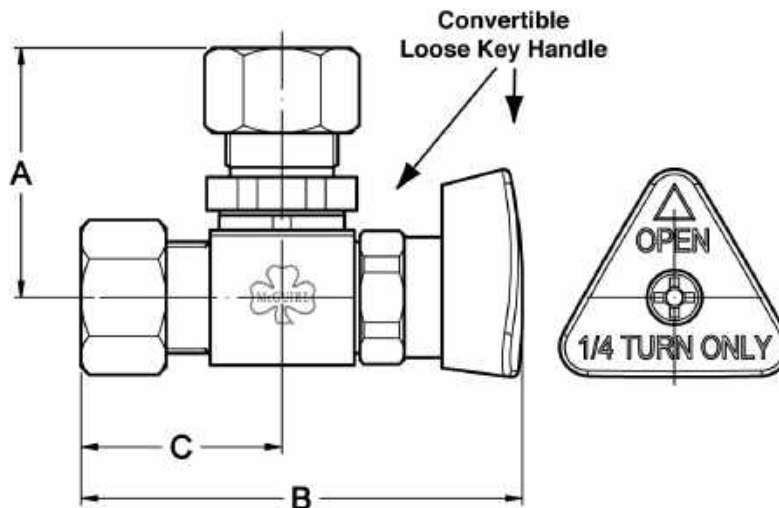
**Quarter-Turn Brass  
Ball Valve**

**Job Name:**

**Submittal Number:**

# Convertible™ II

## Compression X Compression



NO.	Part Title	A	B	C
LFBV2-10	Angle Stop, 1/2 Nom Comp x 1/2 OD WH Lead Free	1-5/16"	2-5/8"	1-9/16"

- Rated Operating Pressure: 20-125 PSI
- Rated Operating Temperature: 40-140°F
- Note: 180°F max. during temporary high-temperature system flush



### Specifications:

Lead free convertible quarter-turn brass ball valve, chrome plated commercial valve with convertible loose key handle. Supply stop valve shall be McGuire \_\_\_\_\_  
 Supply stop valve shall be certified by recognized testing authority and bear manufacturer and testing mark.



**WARNING:**

This product can expose you to chemicals including lead, which is known to the State of California to cause cancer, and birth defects or other reproductive harm. For more information go to [www.P65Warnings.ca.gov](http://www.P65Warnings.ca.gov).



**McGuire Manufacturing Co., Inc.**

60 Grandview Court

Cheshire, Connecticut 06410

(203) 699-1801 Fax (203) 699-1813

customerservice@mcguiremfg.com mcguiremfg.com

**PRODUCT SPECIFICATION**

**Part No.**

**LFBV2-11**

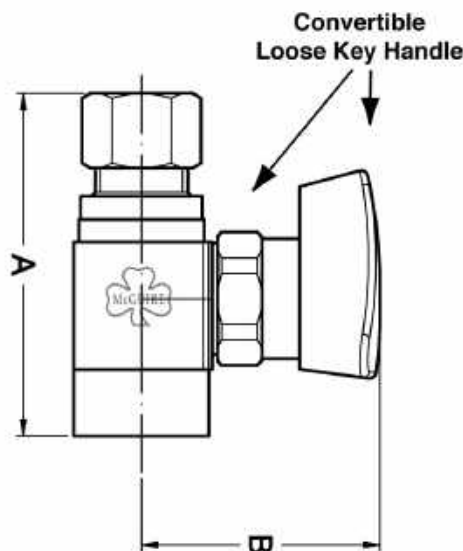
**Quarter-Turn Brass  
Ball Valve**

**Job Name:**

**Submittal Number:**

# Convertible™ II

## Pipe X Compression



NO.	Part Title	A	B
LFBV2-11	Straight Stop, IPS x OD Chrome 3/8 IPS x 3/8 OD WH, Lead Free	1-1/2"	2"

- Rated Operating Pressure: 20-125 PSI
- Rated Operating Temperature: 40-140°F
- Note: 180°F max. during temporary high-temperature system flush



### Specifications:

Lead free convertible quarter-turn brass ball valve, chrome plated commercial valve with convertible loose key handle. Supply stop valve shall be McGuire \_\_\_\_\_  
Supply stop valve shall be certified by recognized testing authority and bear manufacturer and testing mark.



This product can expose you to chemicals including lead, which is known to the State of California to cause cancer, and birth defects or other reproductive harm. For more information go to [www.P65Warnings.ca.gov](http://www.P65Warnings.ca.gov).



**McGuire Manufacturing Co., Inc.**

60 Grandview Court

Cheshire, Connecticut 06410

(203) 699-1801 Fax (203) 699-1813

customerservice@mcguiremfg.com mcguiremfg.com

**PRODUCT SPECIFICATION**

**Part No.**

**LFBV2-12**

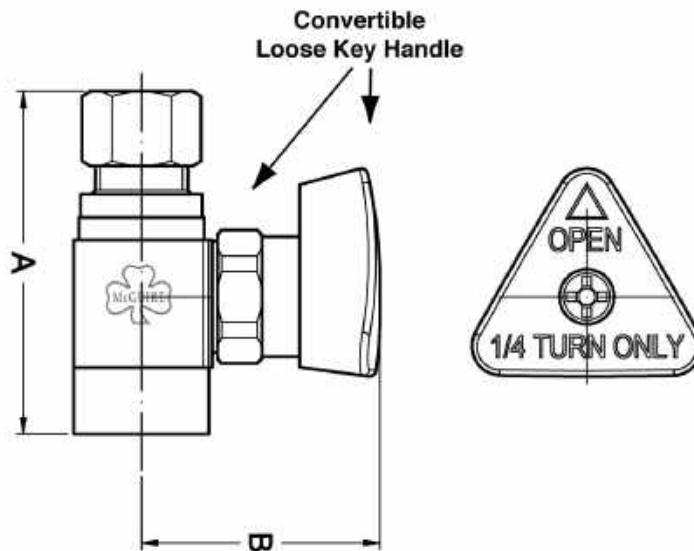
**Quarter-Turn Brass  
Ball Valve**

**Job Name:**

**Submittal Number:**

# Convertible™ II

## Pipe X Compression



NO.	Part Title	A	B
LFBV2-12	Straight Stop, IPS x OD Chrome 1/2 IPS x 3/8 OD WH, Lead Free	1-1/2"	2-1/10"

- Rated Operating Pressure: 20-125 PSI
- Rated Operating Temperature: 40-140°F
- Note: 180°F max. during temporary high-temperature system flush



### Specifications:

Lead free convertible quarter-turn brass ball valve, chrome plated commercial valve with convertible loose key handle. Supply stop valve shall be McGuire \_\_\_\_\_  
Supply stop valve shall be certified by recognized testing authority and bear manufacturer and testing mark.



This product can expose you to chemicals including lead, which is known to the State of California to cause cancer, and birth defects or other reproductive harm. For more information go to [www.P65Warnings.ca.gov](http://www.P65Warnings.ca.gov).



**McGuire Manufacturing Co., Inc.**

60 Grandview Court

Cheshire, Connecticut 06410

(203) 699-1801 Fax (203) 699-1813

customerservice@mcguiremfg.com mcguiremfg.com

**PRODUCT SPECIFICATION**

**Part No.**

**LFBV2-14**

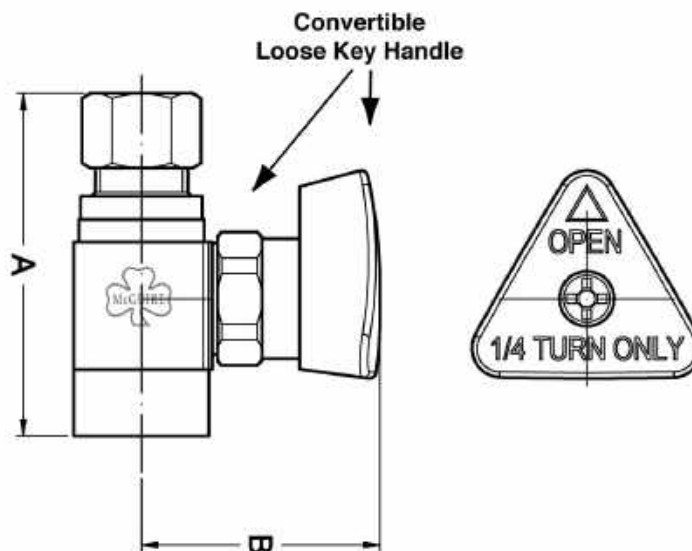
**Quarter-Turn Brass  
Ball Valve**

**Job Name:**

**Submittal Number:**

# Convertible™ II

## Pipe X Compression



NO.	Part Title	A	B
LFBV2-14	Straight Stop, IPS x OD Chrome 1/2 IPS x 1/2 OD WH, Lead Free	1-1/2"	2-1/4"

- Rated Operating Pressure: 20-125 PSI
- Rated Operating Temperature: 40-140°F
- Note: 180°F max. during temporary high-temperature system flush



### Specifications:

Lead free convertible quarter-turn brass ball valve, chrome plated commercial valve with convertible loose key handle. Supply stop valve shall be McGuire \_\_\_\_\_  
Supply stop valve shall be certified by recognized testing authority and bear manufacturer and testing mark.



This product can expose you to chemicals including lead, which is known to the State of California to cause cancer, and birth defects or other reproductive harm. For more information go to [www.P65Warnings.ca.gov](http://www.P65Warnings.ca.gov).



**McGuire Manufacturing Co., Inc.**

60 Grandview Court

Cheshire, Connecticut 06410

(203) 699-1801 Fax (203) 699-1813

customerservice@mcguiremfg.com mcguiremfg.com

**PRODUCT SPECIFICATION**

**Part No.**

**LFBV2-16**

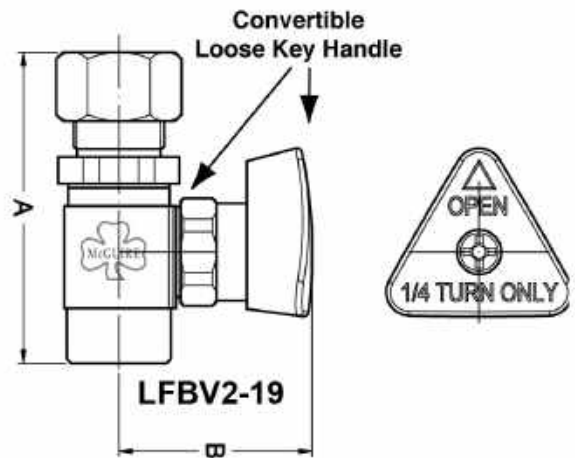
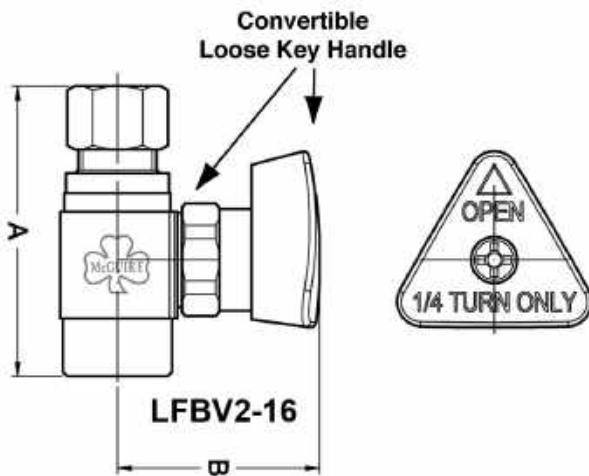
**Quarter-Turn Brass  
Ball Valve**

**Job Name:**

**Submittal Number:**

# Convertible™ II

## Sweat x Compression



NO.	Part Title	A	B
LFBV2-16	Straight Stop, 1/2 Nom Sweat x 3/8 OD WH Chrome Lead Free	1-1/2"	2"

- Rated Operating Pressure: 20-125 PSI
- Rated Operating Temperature: 40-140°F
- Note: 180°F max. during temporary high-temperature system flush



### Specifications:

Lead free convertible quarter-turn brass ball valve, chrome plated commercial valve with convertible loose key handle. Supply stop valve shall be McGuire \_\_\_\_\_  
 Supply stop valve shall be certified by recognized testing authority and bear manufacturer and testing mark.



**WARNING:**

This product can expose you to chemicals including lead, which is known to the State of California to cause cancer, and birth defects or other reproductive harm. For more information go to [www.P65Warnings.ca.gov](http://www.P65Warnings.ca.gov).



**McGuire Manufacturing Co., Inc.**

60 Grandview Court

Cheshire, Connecticut 06410

(203) 699-1801 Fax (203) 699-1813

customerservice@mcguiremfg.com mcguiremfg.com

**PRODUCT SPECIFICATION**

**Part No.**

**LFBV2-17**

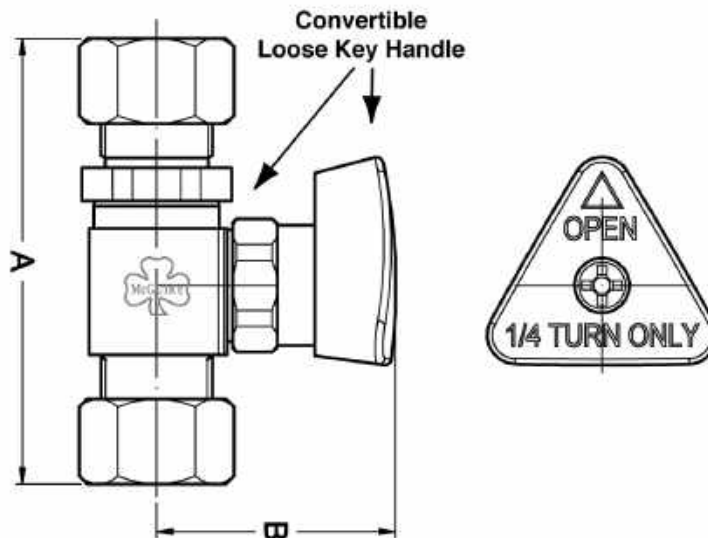
**Quarter-Turn Brass  
Ball Valve**

**Job Name:**

**Submittal Number:**

# Convertible™ II

## Compression X Compression



NO.	Part Title	A	B
LFBV2-17	Straight Stop, 1/2 Nom Comp x 3/8 OD CP ,Lead Free	2-1/2"	1-1/2 "

- Rated Operating Pressure: 20-125 PSI
- Rated Operating Temperature: 40-140°F
- Note: 180°F max. during temporary high-temperature system flush



### Specifications:

Lead free convertible quarter-turn brass ball valve, chrome plated commercial valve with convertible loose key handle. Supply stop valve shall be McGuire \_\_\_\_\_  
 Supply stop valve shall be certified by recognized testing authority and bear manufacturer and testing mark.



**WARNING:**

This product can expose you to chemicals including lead, which is known to the State of California to cause cancer, and birth defects or other reproductive harm. For more information go to [www.P65Warnings.ca.gov](http://www.P65Warnings.ca.gov).





**McGuire Manufacturing Co., Inc.**

60 Grandview Court

Cheshire, Connecticut 06410

(203) 699-1801 Fax (203) 699-1813

customerservice@mcguiremfg.com mcguiremfg.com

**PRODUCT SPECIFICATION**

**Part No.**

**LFBV2-18**

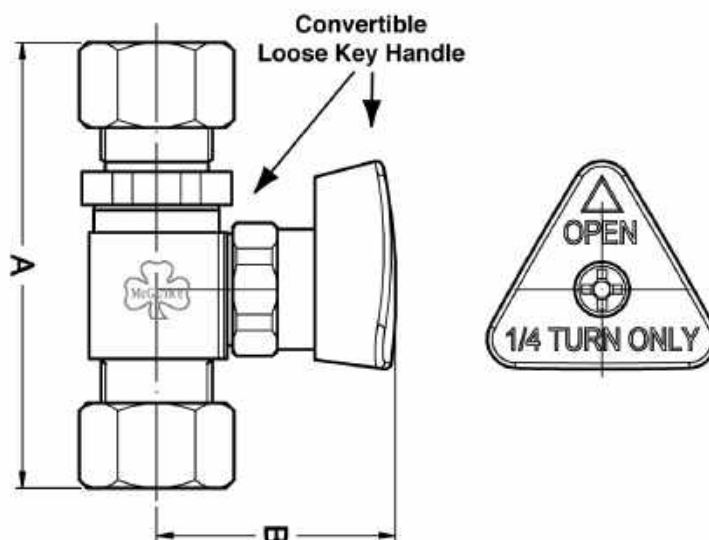
**Quarter-Turn Brass  
Ball Valve**

**Job Name:**

**Submittal Number:**

# Convertible™ II

## Compression X Compression



NO.	Part Title	A	B
LFBV2-18	Straight Stop, 1/2 Nom Comp x 1/2 OD CP ,Lead Free	1-1/2"	2-1/2"

- Rated Operating Pressure: 20-125 PSI
- Rated Operating Temperature: 40-140°F
- Note: 180°F max. during temporary high-temperature system flush



### Specifications:

Lead free convertible quarter-turn brass ball valve, chrome plated commercial valve with convertible loose key handle. Supply stop valve shall be McGuire \_\_\_\_\_  
 Supply stop valve shall be certified by recognized testing authority and bear manufacturer and testing mark.



This product can expose you to chemicals including lead, which is known to the State of California to cause cancer, and birth defects or other reproductive harm. For more information go to [www.P65Warnings.ca.gov](http://www.P65Warnings.ca.gov).



**McGuire Manufacturing Co., Inc.**

60 Grandview Court

Cheshire, Connecticut 06410

(203) 699-1801 Fax (203) 699-1813

customerservice@mcguiremfg.com mcguiremfg.com

**PRODUCT SPECIFICATION**

**Part No.**

**LFBV2-19**

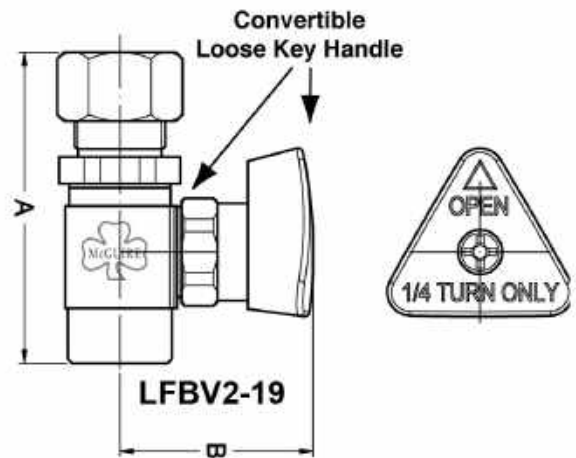
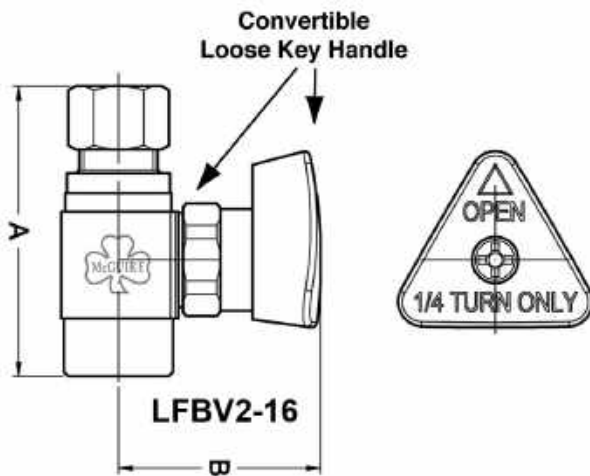
**Quarter-Turn Brass  
Ball Valve**

**Job Name:**

**Submittal Number:**

# Convertible™ II

## Sweat x Compression



NO.	Part Title	A	B
LFBV2-19	Straight Stop, 1/2 Nom Sweat x 1/2 OD WH CP Lead Free	1-1/2"	2-1/10"

- Rated Operating Pressure: 20-125 PSI
- Rated Operating Temperature: 40-140°F
- Note: 180°F max. during temporary high-temperature system flush



### Specifications:

Lead free convertible quarter-turn brass ball valve, chrome plated commercial valve with convertible loose key handle. Supply stop valve shall be McGuire \_\_\_\_\_  
 Supply stop valve shall be certified by recognized testing authority and bear manufacturer and testing mark.



**WARNING:**

This product can expose you to chemicals including lead, which is known to the State of California to cause cancer, and birth defects or other reproductive harm. For more information go to [www.P65Warnings.ca.gov](http://www.P65Warnings.ca.gov).



**McGuire Manufacturing Co., Inc.**

60 Grandview Court

Cheshire, Connecticut 06410

(203) 699-1801 Fax (203) 699-1813

customerservice@mcguiremfg.com mcguiremfg.com

**PRODUCT SPECIFICATION**

**Part No.**

**LFBV2-082**

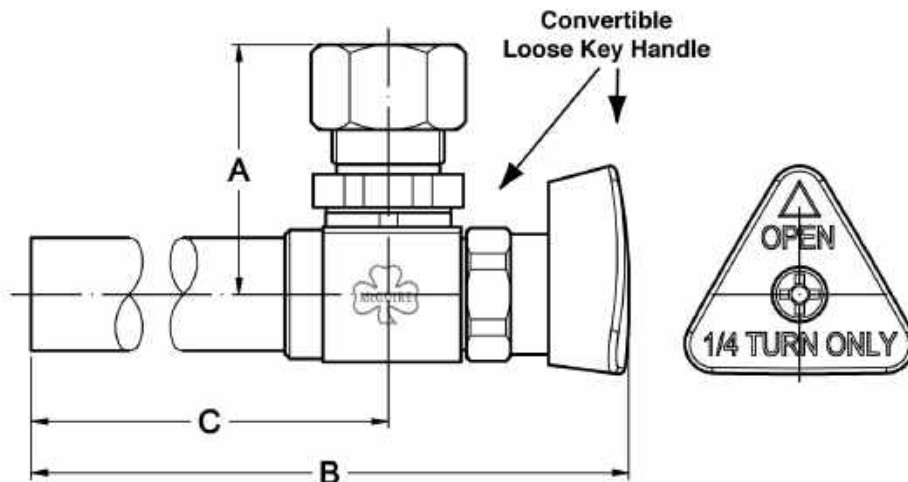
**Quarter-Turn Brass  
Ball Valve**

**Job Name:**

**Submittal Number:**

# Convertible™ II

## Sweat x Compression with Extension



NO.	Part Title	A	B	C
LFBV2-082	Angle Stop, Sweat w/5"Ext 1/2 Swt x 3/8 OD WH Lead Free	1-1/4"	5-1/2"	6-15/16"

- Rated Operating Pressure: 20-125 PSI
- Rated Operating Temperature: 40-140°F
- Note: 180°F max. during temporary high-temperature system flush



### Specifications:

Lead free convertible quarter-turn brass ball valve, chrome plated commercial valve with convertible loose key handle. Supply stop valve shall be McGuire \_\_\_\_\_. Supply stop valve shall be certified by recognized testing authority and bear manufacturer and testing mark.



**WARNING:**

This product can expose you to chemicals including lead, which is known to the State of California to cause cancer, and birth defects or other reproductive harm. For more information go to [www.P65Warnings.ca.gov](http://www.P65Warnings.ca.gov).



**McGuire Manufacturing Co., Inc.**

60 Grandview Court

Cheshire, Connecticut 06410

(203) 699-1801 Fax (203) 699-1813

customerservice@mcguiremfg.com mcguiremfg.com

**PRODUCT SPECIFICATION**

**Part No.**

**LFBV2-084**

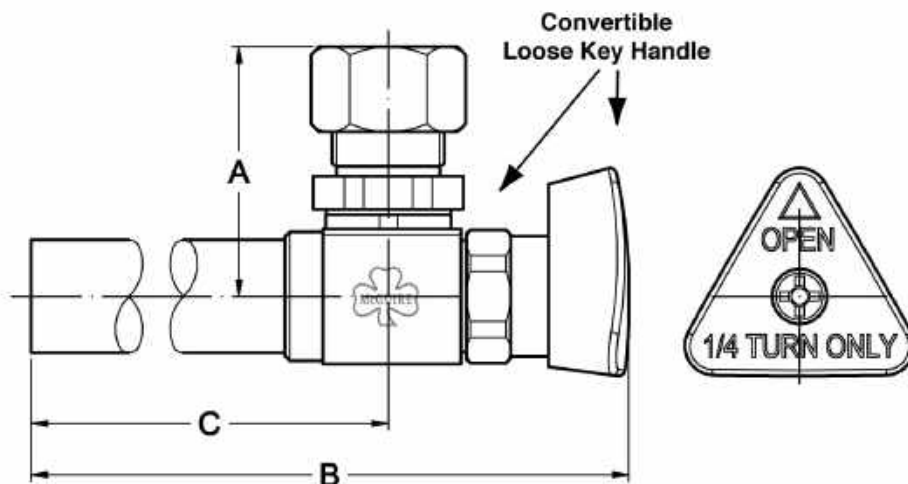
**Quarter-Turn Brass  
Ball Valve**

**Job Name:**

**Submittal Number:**

# Convertible™ II

## Sweat x Compression with Extension



NO.	Part Title	A	B	C
LFBV2-084	Angle Stop,Sweat w/5"Ext 1/2 Nom Swt x 1/2 OD WH CP Lead Free	1-5/16"	5-1/2"	6-15/16"

- Rated Operating Pressure: 20-125 PSI
- Rated Operating Temperature: 40-140°F
- Note: 180°F max. during temporary high-temperature system flush



### Specifications:

Lead free convertible quarter-turn brass ball valve, chrome plated commercial valve with convertible loose key handle. Supply stop valve shall be McGuire \_\_\_\_\_. Supply stop valve shall be certified by recognized testing authority and bear manufacturer and testing mark.

#### **WARNING:**

This product can expose you to chemicals including lead, which is known to the State of California to cause cancer, and birth defects or other reproductive harm. For more information go to [www.P65Warnings.ca.gov](http://www.P65Warnings.ca.gov).



**McGuire Manufacturing Co., Inc.**

60 Grandview Court

Cheshire, Connecticut 06410

(203) 699-1801 Fax (203) 699-1813

customerservice@mcguiremfg.com mcguiremfg.com

**PRODUCT SPECIFICATION**

**Part No.**

**LFBV2-182**

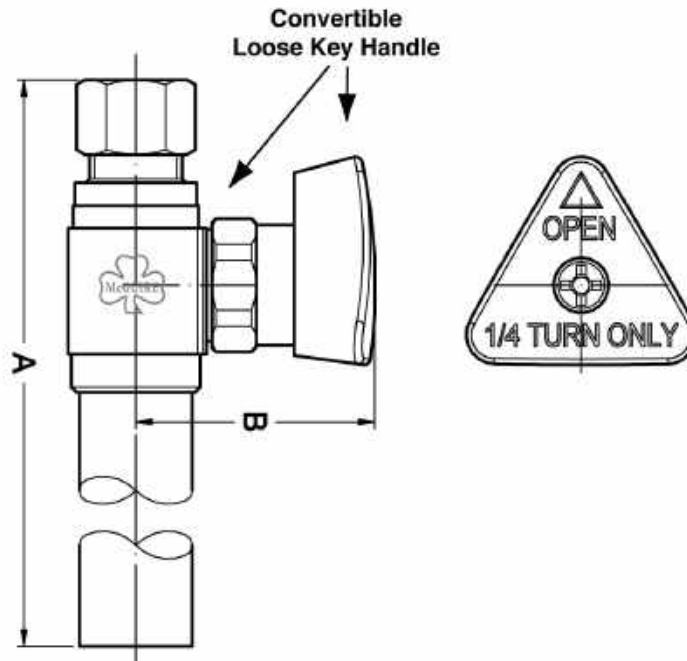
**Quarter-Turn Brass  
Ball Valve**

**Job Name:**

**Submittal Number:**

# Convertible™ II

## Compression X Compression



NO.	Part Title	A	B
LFBV2-182	Straight Stop, Sweat CP 1/2 Nom Swt w/5" ext x3/8 OD WH Lead Free	1-1/2"	6-1/5"

- Rated Operating Pressure: 20-125 PSI
- Rated Operating Temperature: 40-140°F
- Note: 180°F max. during temporary high-temperature system flush



### Specifications:

Lead free convertible quarter-turn brass ball valve, chrome plated commercial valve with convertible loose key handle. Supply stop valve shall be McGuire \_\_\_\_\_  
Supply stop valve shall be certified by recognized testing authority and bear manufacturer and testing mark.



This product can expose you to chemicals including lead, which is known to the State of California to cause cancer, and birth defects or other reproductive harm. For more information go to [www.P65Warnings.ca.gov](http://www.P65Warnings.ca.gov).



**McGuire Manufacturing Co., Inc.**

60 Grandview Court  
 Cheshire, Connecticut 06410  
 (203) 699-1801 Fax (203) 699-1813  
 customerservice@mcguiremfg.com mcguiremfg.com

**PRODUCT SPECIFICATION**

**Part No.**

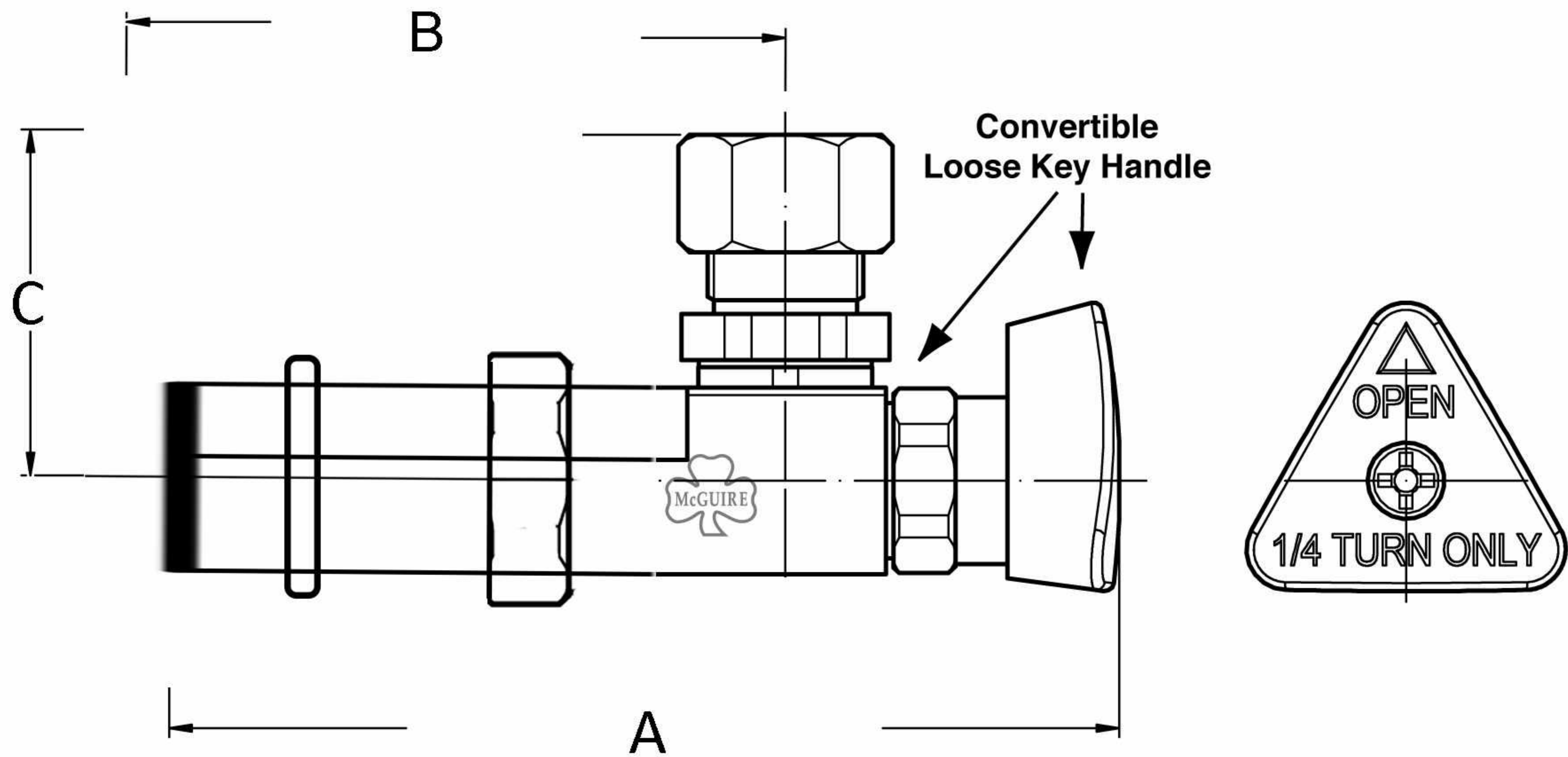
**LFBV2-PP38**

MCG Press Angle Stop  
 Quarter Turn Ball Valve

**Job Name:**

**Submittal Number:**

**MCG Press Valve - 3/8 in connection**



Part #	Description	A	B	C
LFBV2-PP38	1/4 TURN BALL VALVE PRESS ANGLE STOP 3/8	3-3/4 in	2-1/2 in	1-1/2 in
LFBV2-PP50	1/4 TURN BALL VALVE PRESS ANGLE STOP 1/2	3-3/4 in	2-1/2 in	1-1/2 in

- Rated Operating Pressure: 20-125 PSI
- Rated Operating Temperature: 40-140°F
- Note: 180°F max. during temporary high-temperature system flush



**Specifications:**

Lead free convertible quarter-turn brass ball valve, with press style connection. Chrome plated commercial valve with convertible loose key handle. Supply stop valve shall be McGuire \_\_\_\_\_ . Supply stop valve shall be certified by recognized testing authority and bear manufacturer and testing mark.



**WARNING:**

This product can expose you to chemicals including lead, which is known to the State of California to cause cancer, and birth defects or other reproductive harm. For more information go to [www.P65Warnings.ca.gov](http://www.P65Warnings.ca.gov).



# McGuire Manufacturing Co., Inc.

60 Grandview Court  
Cheshire, Connecticut 06410  
(203) 699-1801 Fax (203) 699-1813  
customerservice@mcguiremfg.com mcguiremfg.com

## PRODUCT SPECIFICATION

Part No.

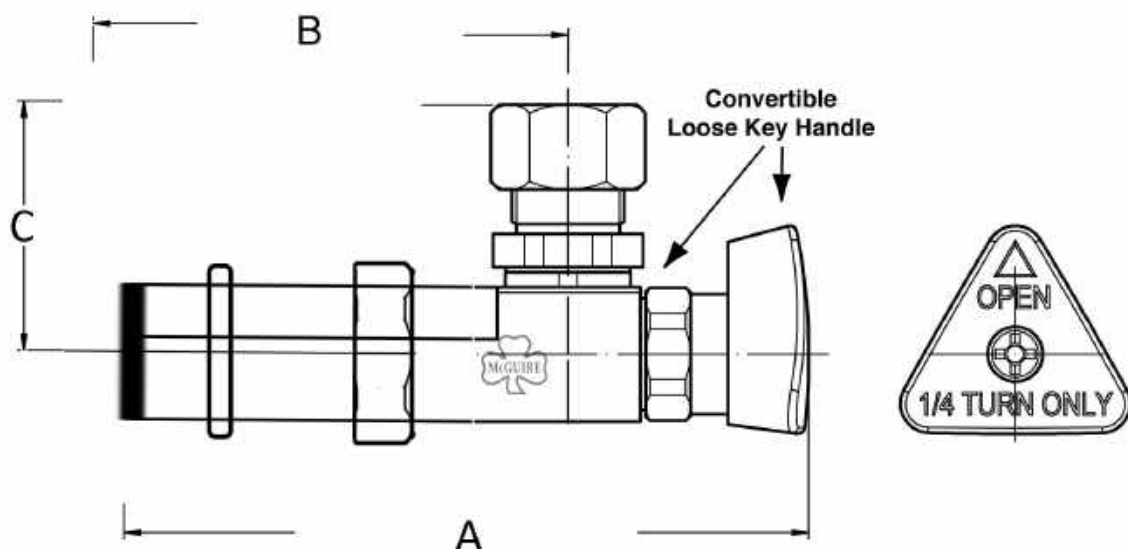
# LFBV2-PP38

## MCG Press Angle Stop Quarter Turn Ball Valve

Job Name:

Submittal Number:

## MCG Press Valve - 3/8 in connection



Part #	Description	A	B	C
LFBV2-PP38	1/4 TURN BALL VALVE PRESS ANGLE STOP 3/8	3-3/4 in	2-1/2 in	1-1/2 in
LFBV2-PP50	1/4 TURN BALL VALVE PRESS ANGLE STOP 1/2	3-3/4 in	2-1/2 in	1-1/2 in

- Rated Operating Pressure: 20-125 PSI
- Rated Operating Temperature: 40-140°F
- Note: 180°F max. during temporary high-temperature system flush



## Specifications:

Lead free convertible quarter-turn brass ball valve, with press style connection. Chrome plated commercial valve with convertible loose key handle. Supply stop valve shall be McGuire \_\_\_\_\_ . Supply stop valve shall be certified by recognized testing authority and bear manufacturer and testing mark.



**WARNING:**

This product can expose you to chemicals including lead, which is known to the State of California to cause cancer, and birth defects or other reproductive harm. For more information go to [www.P65Warnings.ca.gov](http://www.P65Warnings.ca.gov).



**McGuire Manufacturing Co., Inc.**

60 Grandview Court

Cheshire, Connecticut 06410

(203) 699-1801 Fax (203) 699-1813

customerservice@mcguiremfg.com mcguiremfg.com

**PRODUCT SPECIFICATION**

**Part No.**

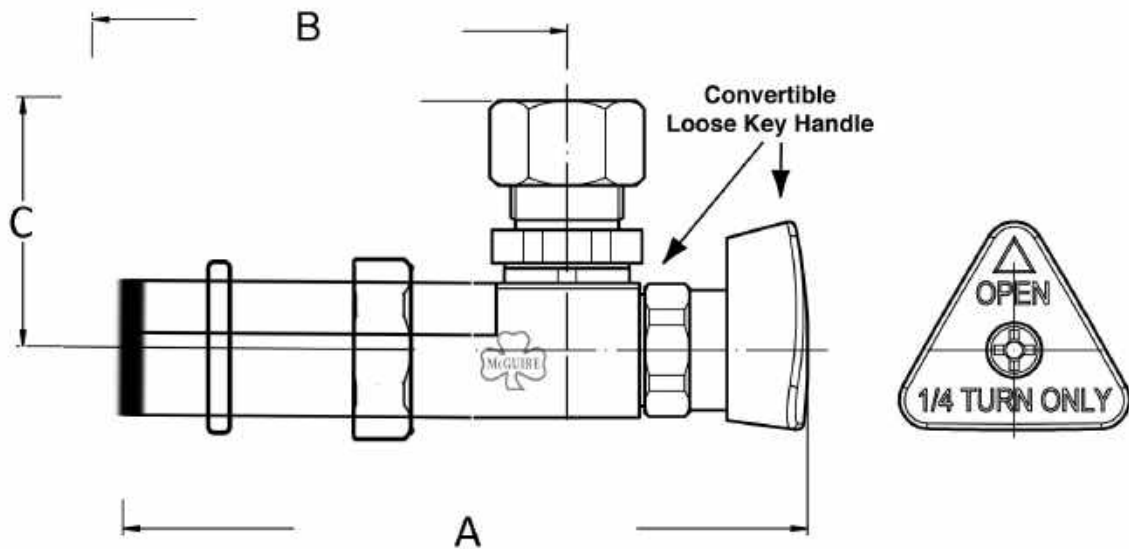
**LFBV2-PP38**

**BV2Press Angle Stop  
Quarter Turn Ball Valve**

**Job Name:**

**Submittal Number:**

## BV2Press Valve - 3/8 in connection



Part #	Description	A	B	C
LFBV2-PP38	1/4 TURN BALL VALVE PRESS ANGLE STOP 3/8	3-3/4 in	2-1/2 in	1-1/2 in
LFBV2-PP50	1/4 TURN BALL VALVE PRESS ANGLE STOP 1/2	3-3/4 in	2-1/2 in	1-1/2 in

- Rated Operating Pressure: 20-125 PSI
- Rated Operating Temperature: 40-140°F
- Note: 180°F max. during temporary high-temperature system flush



### Specifications:

Lead free convertible quarter-turn brass ball valve, with press style connection. Chrome plated commercial valve with convertible loose key handle. Supply stop valve shall be McGuire \_\_\_\_\_ . Supply stop valve shall be certified by recognized testing authority and bear manufacturer and testing mark.



This product can expose you to chemicals including lead, which is known to the State of California to cause cancer, and birth defects or other reproductive harm. For more information go to [www.P65Warnings.ca.gov](http://www.P65Warnings.ca.gov).





**McGuire Manufacturing Co., Inc.**

60 Grandview Court  
 Cheshire, Connecticut 06410  
 (203) 699-1801 Fax (203) 699-1813  
 customerservice@mcguiremfg.com mcguiremfg.com

**PRODUCT SPECIFICATION**

**Part No.**

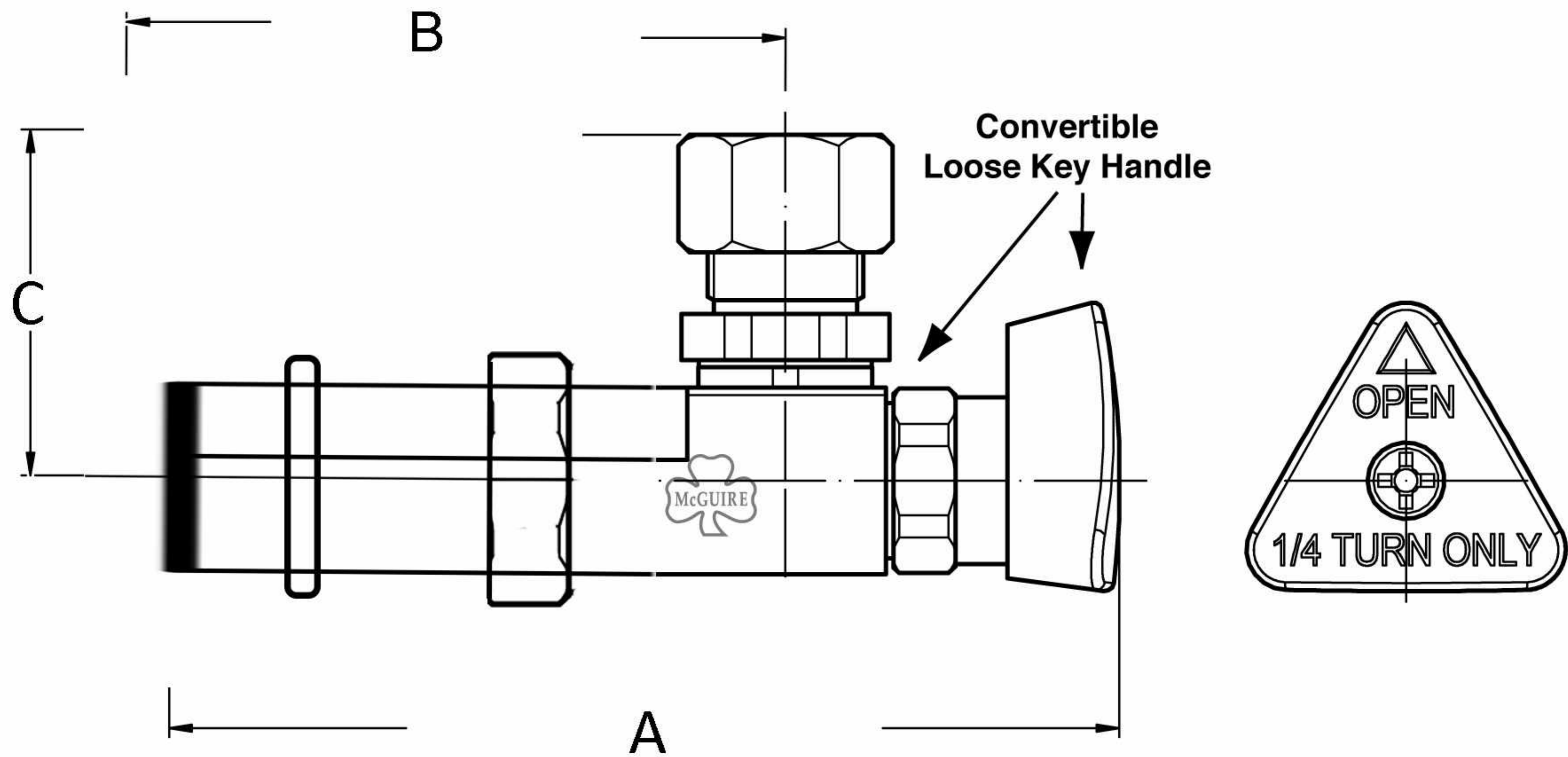
**LFBV2-PP50**

MCG Press Angle Stop  
 Quarter Turn Ball Valve

**Job Name:**

**Submittal Number:**

**MCG Press Valve - 1/2 in connection**



Part #	Description	A	B	C
LFBV2-PP38	1/4 TURN BALL VALVE PRESS ANGLE STOP 3/8	3-3/4 in	2-1/2 in	1-1/2 in
LFBV2-PP50	1/4 TURN BALL VALVE PRESS ANGLE STOP 1/2	3-3/4 in	2-1/2 in	1-1/2 in

- Rated Operating Pressure: 20-125 PSI
- Rated Operating Temperature: 40-140°F
- Note: 180°F max. during temporary high-temperature system flush



**Specifications:**

Lead free convertible quarter-turn brass ball valve, with press style connection. Chrome plated commercial valve with convertible loose key handle. Supply stop valve shall be McGuire \_\_\_\_\_ . Supply stop valve shall be certified by recognized testing authority and bear manufacturer and testing mark.



**WARNING:**

This product can expose you to chemicals including lead, which is known to the State of California to cause cancer, and birth defects or other reproductive harm. For more information go to [www.P65Warnings.ca.gov](http://www.P65Warnings.ca.gov).



**McGuire Manufacturing Co., Inc.**

60 Grandview Court

Cheshire, Connecticut 06410

(203) 699-1801 Fax (203) 699-1813

customerservice@mcguiremfg.com mcguiremfg.com

**PRODUCT SPECIFICATION**

**Part No.**

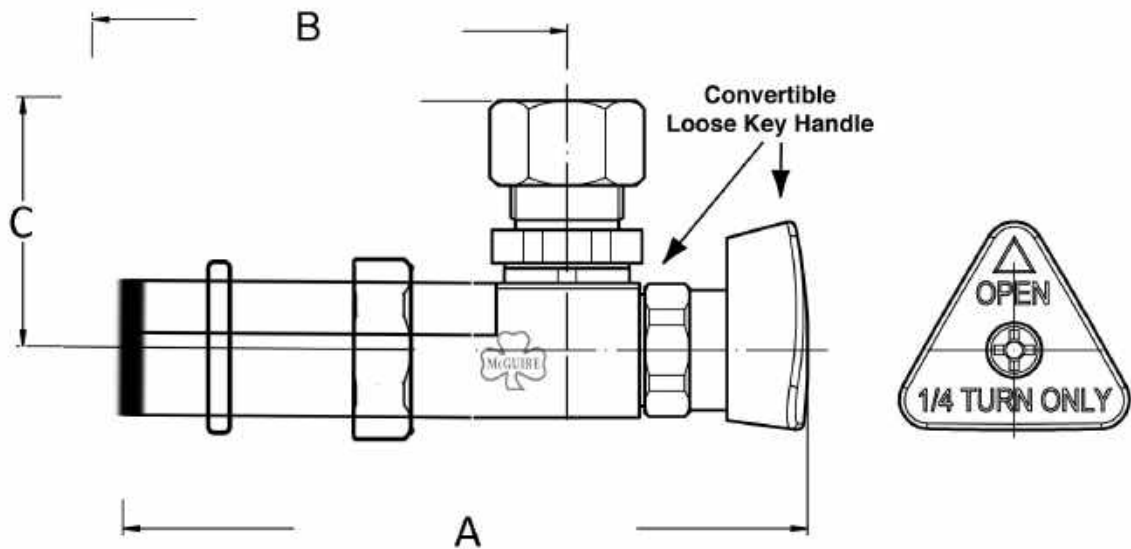
**LFBV2-PP50**

**BV2Press Angle Stop  
Quarter Turn Ball Valve**

**Job Name:**

**Submittal Number:**

## BV2Press Valve - 1/2 in connection



Part #	Description	A	B	C
LFBV2-PP38	1/4 TURN BALL VALVE PRESS ANGLE STOP 3/8	3-3/4 in	2-1/2 in	1-1/2 in
LFBV2-PP50	1/4 TURN BALL VALVE PRESS ANGLE STOP 1/2	3-3/4 in	2-1/2 in	1-1/2 in

- Rated Operating Pressure: 20-125 PSI
- Rated Operating Temperature: 40-140°F
- Note: 180°F max. during temporary high-temperature system flush



## Specifications:

Lead free convertible quarter-turn brass ball valve, with press style connection. Chrome plated commercial valve with convertible loose key handle. Supply stop valve shall be McGuire \_\_\_\_\_ . Supply stop valve shall be certified by recognized testing authority and bear manufacturer and testing mark.



This product can expose you to chemicals including lead, which is known to the State of California to cause cancer, and birth defects or other reproductive harm. For more information go to [www.P65Warnings.ca.gov](http://www.P65Warnings.ca.gov).



**McGuire Manufacturing Co., Inc.**

60 Grandview Court

Cheshire, Connecticut 06410

(203) 699-1801 Fax (203) 699-1813

customerservice@mcguiremfg.com mcguiremfg.com

**PRODUCT SPECIFICATION**

**Part No.**

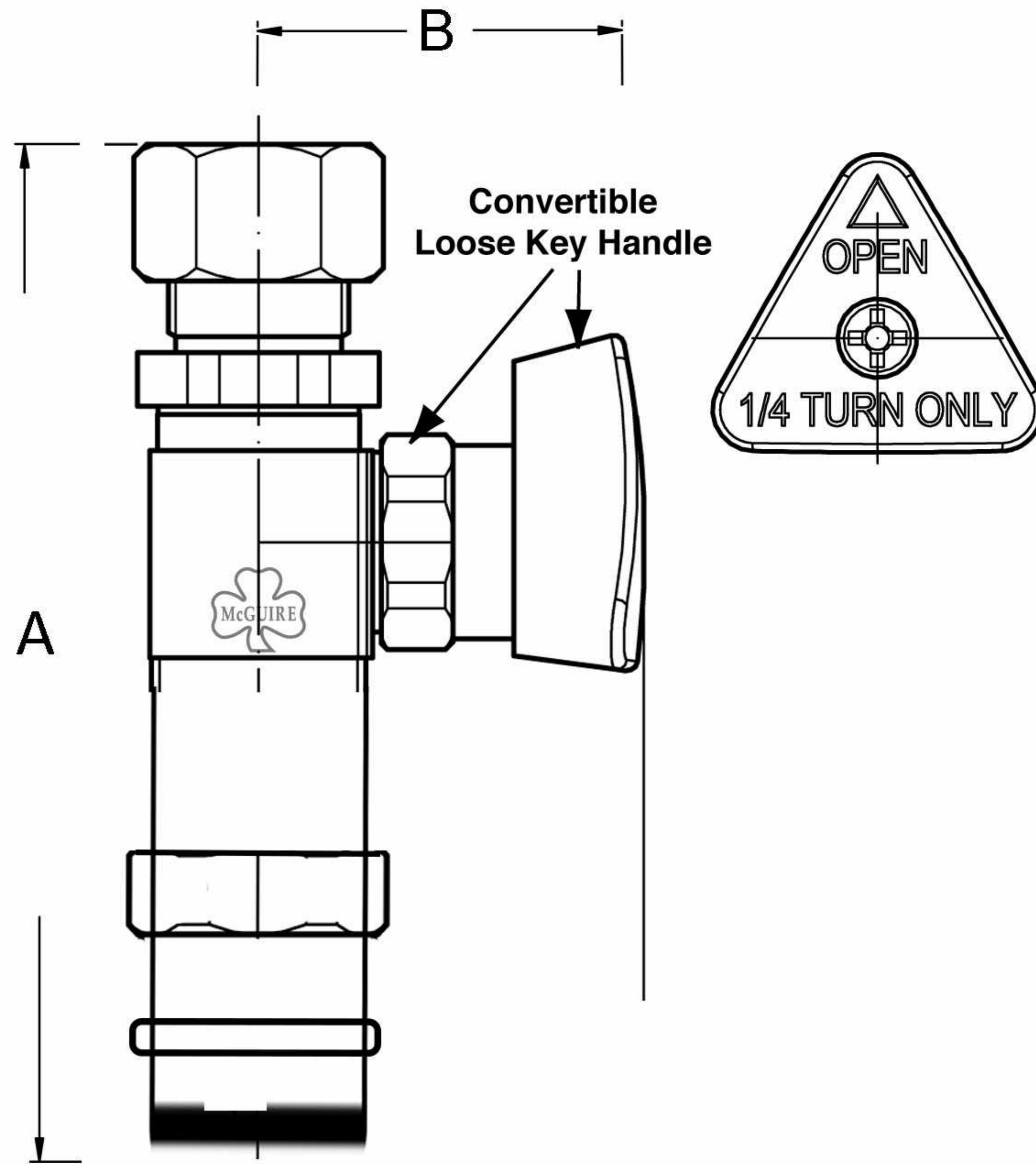
**LFBV2-PPST38**

MCG Press Straight Stop  
Quarter Turn Ball Valve

**Job Name:**

**Submittal Number:**

## MCG Press Valve - 3/8 in connection



Part #	Description	A	B
LFBV2-PPST38	1/4 TURN BALL VALVE PRESS STRAIGHT STOP 3/8	3-1/2 in	1-1/2 in
LFBV2-PPST50	1/4 TURN BALL VALVE PRESS STRAIGHT STOP 1/2	3-1/2 in	1-1/2 in

- Rated Operating Pressure: 20-125 PSI
- Rated Operating Temperature: 40-140°F
- Note: 180°F max. during temporary high-temperature system flush



### Specifications:

Lead free convertible quarter-turn brass ball valve, with press style connection. Chrome plated commercial valve with convertible loose key handle. Supply stop valve shall be McGuire \_\_\_\_\_ . Supply stop valve shall be certified by recognized testing authority and bear manufacturer and testing mark.



#### WARNING:

This product can expose you to chemicals including lead, which is known to the State of California to cause cancer, and birth defects or other reproductive harm. For more information go to [www.P65Warnings.ca.gov](http://www.P65Warnings.ca.gov).



# McGuire Manufacturing Co., Inc.

60 Grandview Court  
Cheshire, Connecticut 06410  
(203) 699-1801 Fax (203) 699-1813  
customerservice@mcguiremfg.com mcguiremfg.com

## PRODUCT SPECIFICATION

Part No.

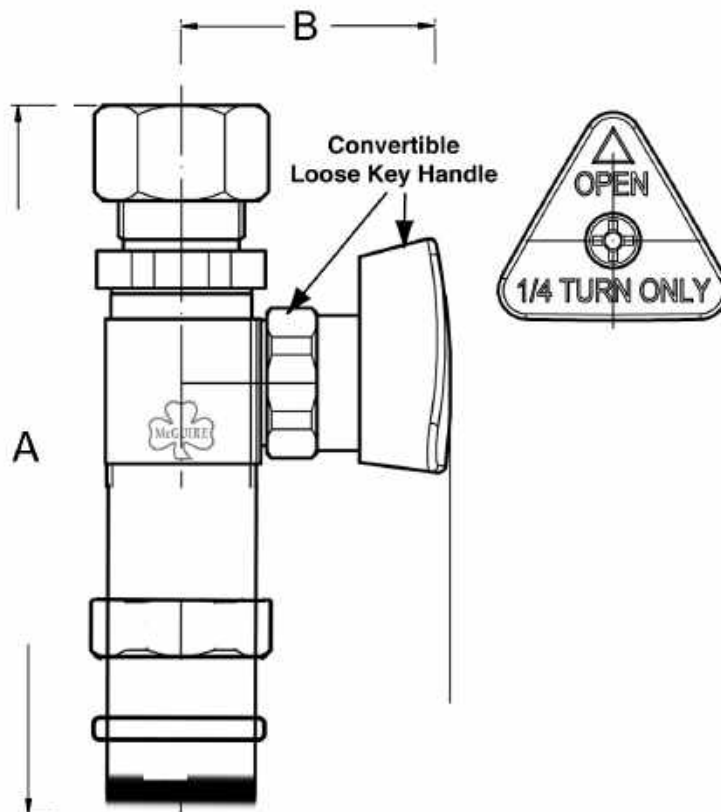
# LFBV2-PPST38

## MCG Press Straight Stop Quarter Turn Ball Valve

Job Name:

Submittal Number:

### MCG Press Valve - 3/8 in connection



Part #	Description	A	B
LFBV2-PPST38	1/4 TURN BALL VALVE PRESS STRAIGHT STOP 3/8	3-1/2 in	1-1/2 in
LFBV2-PPST50	1/4 TURN BALL VALVE PRESS STRAIGHT STOP 1/2	3-1/2 in	1-1/2 in

- Rated Operating Pressure: 20-125 PSI
- Rated Operating Temperature: 40-140°F
- Note: 180°F max. during temporary high-temperature system flush



### Specifications:

Lead free convertible quarter-turn brass ball valve, with press style connection. Chrome plated commercial valve with convertible loose key handle. Supply stop valve shall be McGuire \_\_\_\_\_ . Supply stop valve shall be certified by recognized testing authority and bear manufacturer and testing mark.



This product can expose you to chemicals including lead, which is known to the State of California to cause cancer, and birth defects or other reproductive harm. For more information go to [www.P65Warnings.ca.gov](http://www.P65Warnings.ca.gov).



**McGuire Manufacturing Co., Inc.**

60 Grandview Court  
Cheshire, Connecticut 06410  
(203) 699-1801 Fax (203) 699-1813  
customerservice@mcguiremfg.com mcguiremfg.com

**PRODUCT SPECIFICATION**

**Part No.**

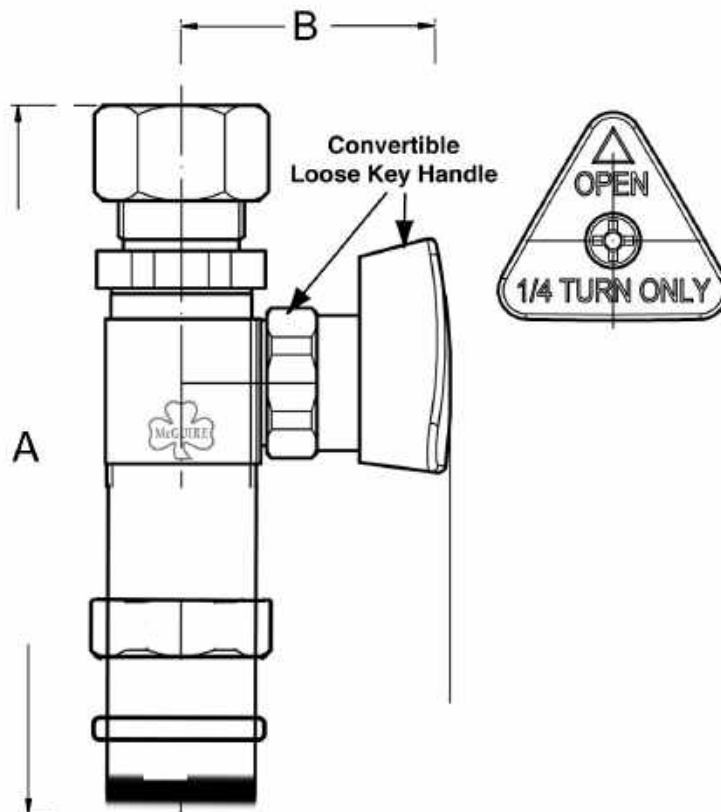
**LFBV2-PPST38**

BV2Press Straight Stop  
Quarter Turn Ball Valve

**Job Name:**

**Submittal Number:**

**BV2Press Valve - 3/8 in connection**



Part #	Description	A	B
LFBV2-PPST38	1/4 TURN BALL VALVE PRESS STRAIGHT STOP 3/8	3-1/2 in	1-1/2 in
LFBV2-PPST50	1/4 TURN BALL VALVE PRESS STRAIGHT STOP 1/2	3-1/2 in	1-1/2 in

- Rated Operating Pressure: 20-125 PSI
- Rated Operating Temperature: 40-140°F
- Note: 180°F max. during temporary high-temperature system flush



**Specifications:**

Lead free convertible quarter-turn brass ball valve, with press style connection. Chrome plated commercial valve with convertible loose key handle. Supply stop valve shall be McGuire \_\_\_\_\_ . Supply stop valve shall be certified by recognized testing authority and bear manufacturer and testing mark.



**WARNING:**

This product can expose you to chemicals including lead, which is known to the State of California to cause cancer, and birth defects or other reproductive harm. For more information go to [www.P65Warnings.ca.gov](http://www.P65Warnings.ca.gov).



**McGuire Manufacturing Co., Inc.**

60 Grandview Court  
 Cheshire, Connecticut 06410  
 (203) 699-1801 Fax (203) 699-1813  
 customerservice@mcguiremfg.com mcguiremfg.com

**PRODUCT SPECIFICATION**

**Part No.**

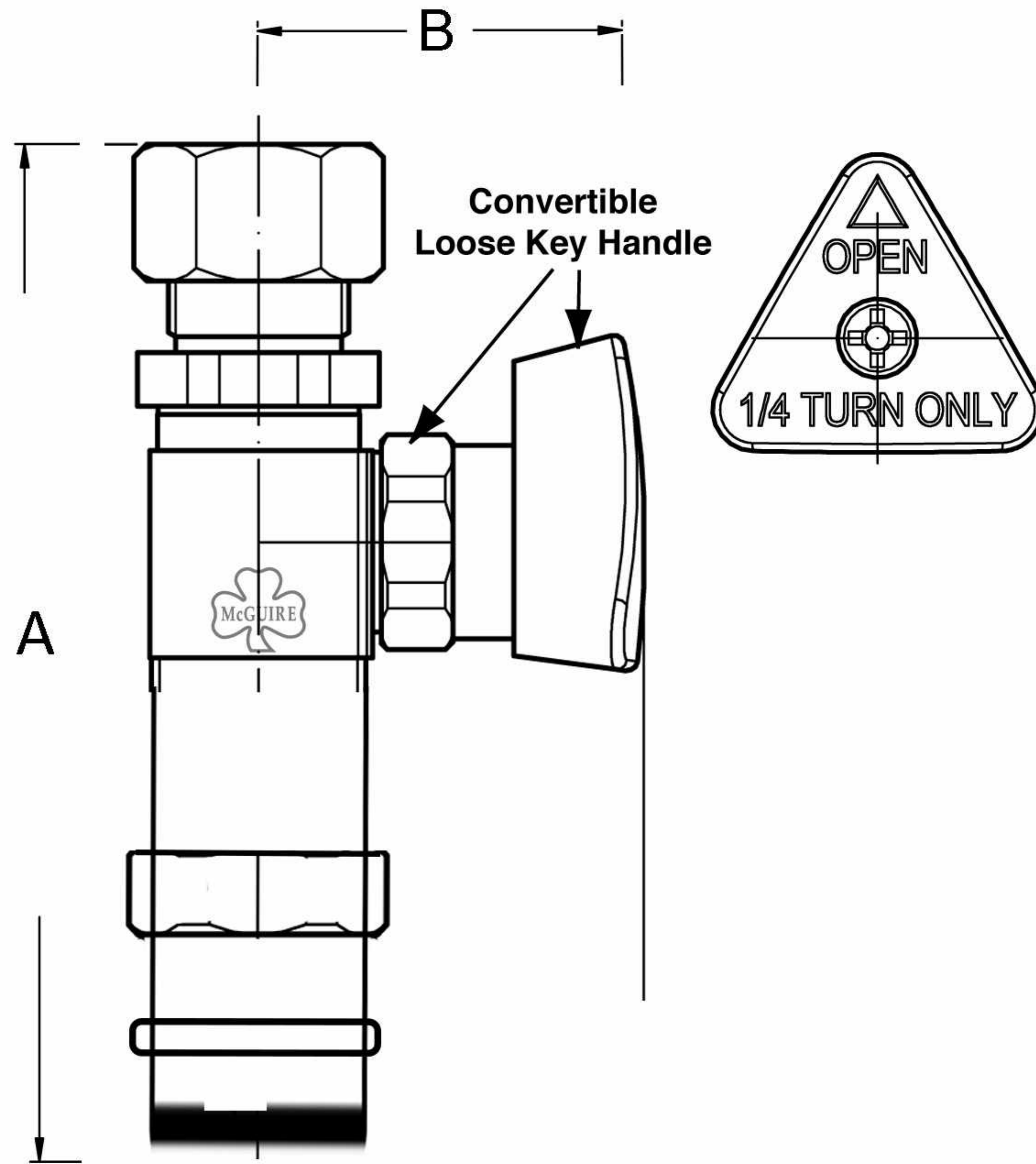
**LFBV2-PPST50**

MCG Press Straight Stop  
 Quarter Turn Ball Valve

**Job Name:**

**Submittal Number:**

**MCG Press Valve - 1/2 in connection**



Part #	Description	A	B
LFBV2-PPST38	1/4 TURN BALL VALVE PRESS STRAIGHT STOP 3/8	3-1/2 in	1-1/2 in
LFBV2-PPST50	1/4 TURN BALL VALVE PRESS STRAIGHT STOP 1/2	3-1/2 in	1-1/2 in

- Rated Operating Pressure: 20-125 PSI
- Rated Operating Temperature: 40-140°F
- Note: 180°F max. during temporary high-temperature system flush



**Specifications:**

Lead free convertible quarter-turn brass ball valve, with press style connection. Chrome plated commercial valve with convertible loose key handle. Supply stop valve shall be McGuire \_\_\_\_\_ . Supply stop valve shall be certified by recognized testing authority and bear manufacturer and testing mark.



**WARNING:**

This product can expose you to chemicals including lead, which is known to the State of California to cause cancer, and birth defects or other reproductive harm. For more information go to [www.P65Warnings.ca.gov](http://www.P65Warnings.ca.gov).



**McGuire Manufacturing Co., Inc.**

60 Grandview Court  
Cheshire, Connecticut 06410  
(203) 699-1801 Fax (203) 699-1813  
customerservice@mcguiremfg.com mcguiremfg.com

**PRODUCT SPECIFICATION**

**Part No.**

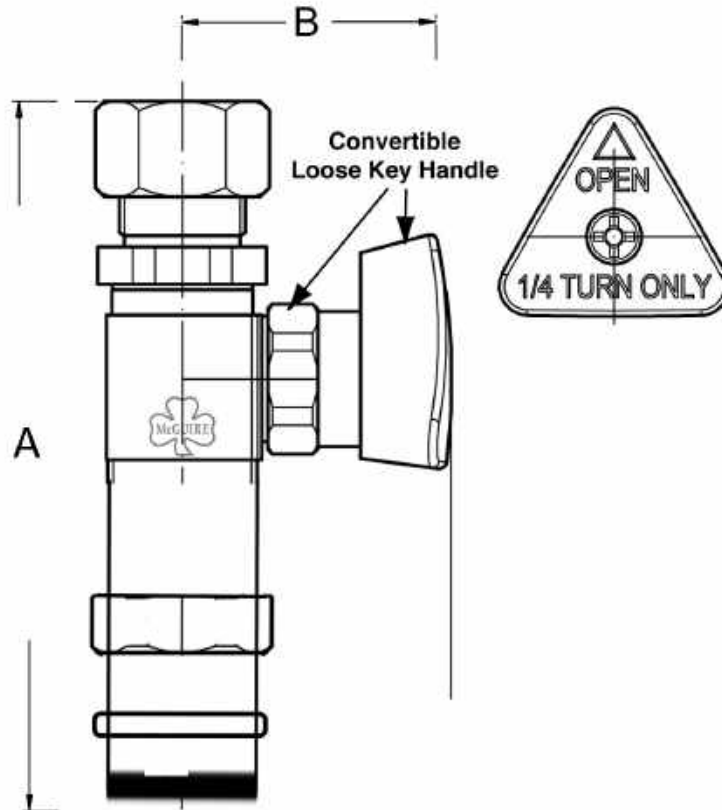
**LFBV2-PPST50**

MCG Press Straight Stop  
Quarter Turn Ball Valve

**Job Name:**

**Submittal Number:**

**MCG Press Valve - 1/2 in connection**



Part #	Description	A	B
LFBV2-PPST38	1/4 TURN BALL VALVE PRESS STRAIGHT STOP 3/8	3-1/2 in	1-1/2 in
LFBV2-PPST50	1/4 TURN BALL VALVE PRESS STRAIGHT STOP 1/2	3-1/2 in	1-1/2 in

- Rated Operating Pressure: 20-125 PSI
- Rated Operating Temperature: 40-140°F
- Note: 180°F max. during temporary high-temperature system flush



**Specifications:**

Lead free convertible quarter-turn brass ball valve, with press style connection. Chrome plated commercial valve with convertible loose key handle. Supply stop valve shall be McGuire \_\_\_\_\_ . Supply stop valve shall be certified by recognized testing authority and bear manufacturer and testing mark.



**WARNING:**

This product can expose you to chemicals including lead, which is known to the State of California to cause cancer, and birth defects or other reproductive harm. For more information go to [www.P65Warnings.ca.gov](http://www.P65Warnings.ca.gov).



# McGuire Manufacturing Co., Inc.

60 Grandview Court  
Cheshire, Connecticut 06410  
(203) 699-1801 Fax (203) 699-1813  
customerservice@mcguiremfg.com mcguiremfg.com

## PRODUCT SPECIFICATION

Part No.

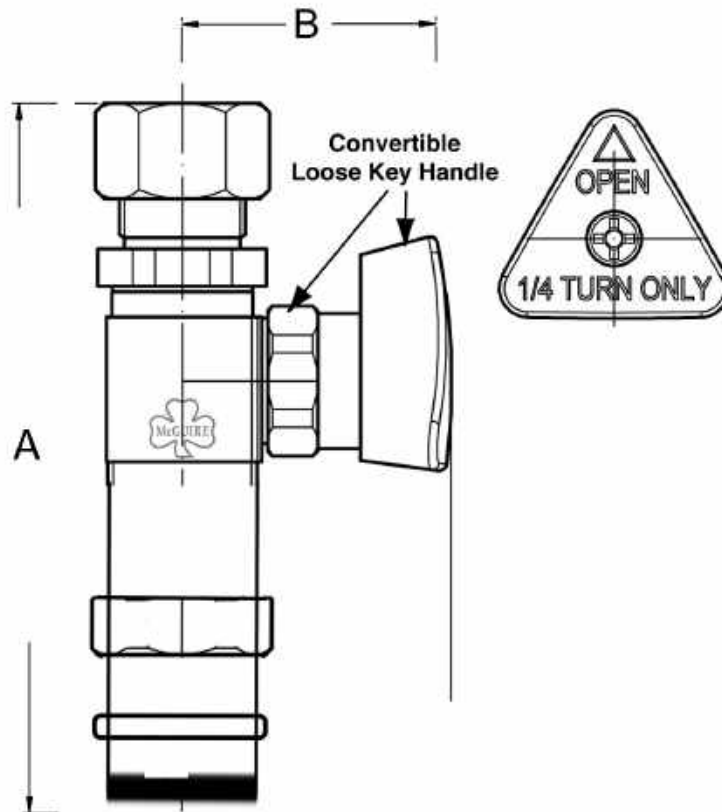
# LFBV2-PPST50

## BV2Press Straight Stop Quarter Turn Ball Valve

Job Name:

Submittal Number:

### BV2Press Valve - 1/2 in connection



Part #	Description	A	B
LFBV2-PPST38	1/4 TURN BALL VALVE PRESS STRAIGHT STOP 3/8	3-1/2 in	1-1/2 in
LFBV2-PPST50	1/4 TURN BALL VALVE PRESS STRAIGHT STOP 1/2	3-1/2 in	1-1/2 in

- Rated Operating Pressure: 20-125 PSI
- Rated Operating Temperature: 40-140°F
- Note: 180°F max. during temporary high-temperature system flush



### Specifications:

Lead free convertible quarter-turn brass ball valve, with press style connection. Chrome plated commercial valve with convertible loose key handle. Supply stop valve shall be McGuire \_\_\_\_\_ . Supply stop valve shall be certified by recognized testing authority and bear manufacturer and testing mark.



#### WARNING:

This product can expose you to chemicals including lead, which is known to the State of California to cause cancer, and birth defects or other reproductive harm. For more information go to [www.P65Warnings.ca.gov](http://www.P65Warnings.ca.gov).





**McGuire Manufacturing Co., Inc.**

60 Grandview Court  
Cheshire, Connecticut 06410  
(203) 699-1801 Fax (203) 699-1813  
customerservice@mcguiremfg.com mcguiremfg.com

**PRODUCT SPECIFICATION**

**Part No.**

**LFBV02**

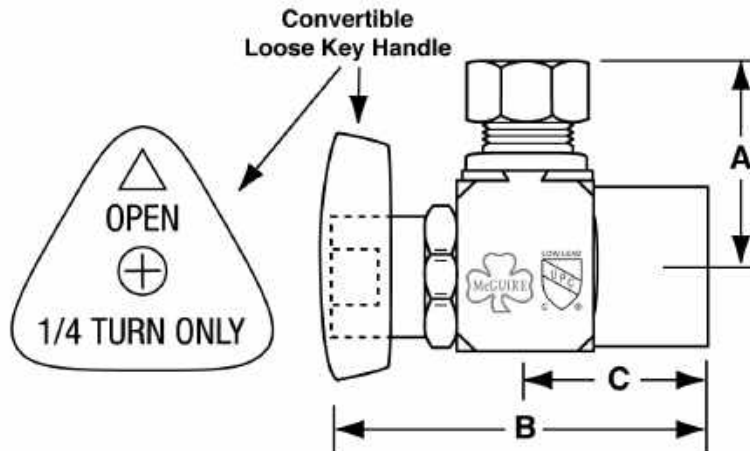
**Quarter-Turn Brass  
Ball Valve**

**Job Name:**

**Submittal Number:**

# Convertible™

## Pipe To Compression



NO.	DESCRIPTION	ROUGHING MEASUREMENTS		
		A	B	C
LFBV01	1/2" I.P.S. x 3/8" O.D.	1-3/16"	2-3/16"	1"

- Rated Operating Pressure: 20-125 PSI
- Rated Operating Temperature: 40-140°F
- Note: 180°F max. during temporary high-temperature system flush



### Specifications:

Convertible quarter-turn brass ball valve, chrome plated commercial pattern with convertible loose key handle. Inlet shall be (3/8", 1/2") IPS. Outlet shall be (3/8") compression. Supply stop valve shall be McGuire \_\_\_\_\_. Supply stop valve shall be certified by recognized testing authority and bear manufacturer and testing mark.



#### WARNING:

This product can expose you to chemicals including lead, which is known to the State of California to cause cancer, and birth defects or other reproductive harm. For more information go to [www.P66Warnings.ca.gov](http://www.P66Warnings.ca.gov).



**McGuire Manufacturing Co., Inc.**

60 Grandview Court

Cheshire, Connecticut 06410

(203) 699-1801 Fax (203) 699-1813

customerservice@mcguiremfg.com mcguiremfg.com

**PRODUCT SPECIFICATION**

**Part No.**

**LFBV07**

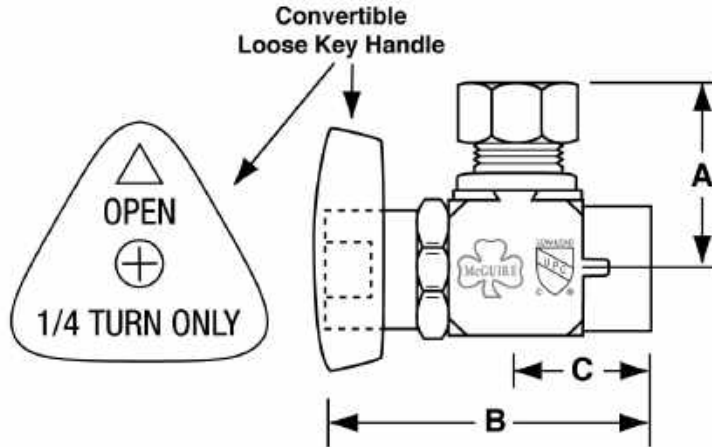
**Quarter-Turn Brass  
Ball Valve**

**Job Name:**

**Submittal Number:**

# Convertible™

## Sweat To Compression



NO.	DESCRIPTION	ROUGHING MEASUREMENTS		
		A	B	C
LFBV07	1/2" Copper Sweat x 3/8" O.D.	1-3/16"	2-1/8"	13/16"

- Rated Operating Pressure: 20-125 PSI
- Rated Operating Temperature: 40-140°F
- Note: 180°F max. during temporary high-temperature system flush



### Specifications:

Lead free convertible quarter-turn brass ball valve, chrome plated commercial pattern with convertible loose key handle. Inlet shall be (1/2) inch (IPS, sweat, compression). Outlet shall be (3/8) inch (compression). Supply stop valve shall be McGuire \_\_\_\_\_ Supply stop valve shall be certified by recognized testing authority and bear manufacturer and testing mark.



**WARNING:**

This product can expose you to chemicals including lead, which is known to the State of California to cause cancer, and birth defects or other reproductive harm. For more information go to [www.P65Warnings.ca.gov](http://www.P65Warnings.ca.gov).



**McGuire Manufacturing Co., Inc.**

60 Grandview Court

Cheshire, Connecticut 06410

(203) 699-1801 Fax (203) 699-1813

customerservice@mcguiremfg.com mcguiremfg.com

**PRODUCT SPECIFICATION**

**Part No.**

**LFBV07**

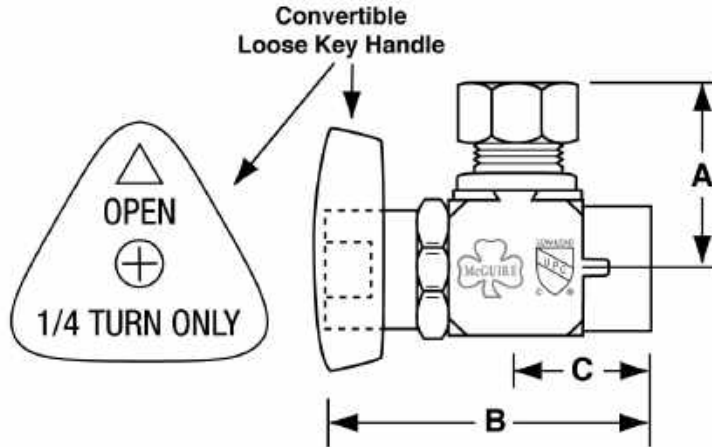
**Quarter-Turn Brass  
Ball Valve**

**Job Name:**

**Submittal Number:**

# Convertible™

## Sweat To Compression



NO.	DESCRIPTION	ROUGHING MEASUREMENTS		
		A	B	C
LFBV07	1/2" Copper Sweat x 3/8" O.D.	1-3/16"	2-1/8"	13/16"

- Rated Operating Pressure: 20-125 PSI
- Rated Operating Temperature: 40-140°F
- Note: 180°F max. during temporary high-temperature system flush



### Specifications:

Lead free convertible quarter-turn brass ball valve, chrome plated commercial pattern with convertible loose key handle. Inlet shall be (1/2) inch (IPS, sweat, compression). Outlet shall be (3/8) inch (compression). Supply stop valve shall be McGuire \_\_\_\_\_ Supply stop valve shall be certified by recognized testing authority and bear manufacturer and testing mark.

#### **WARNING:**

This product can expose you to chemicals including lead, which is known to the State of California to cause cancer, and birth defects or other reproductive harm. For more information go to [www.P65Warnings.ca.gov](http://www.P65Warnings.ca.gov).



**McGuire Manufacturing Co., Inc.**

60 Grandview Court  
Cheshire, Connecticut 06410  
(203) 699-1801 Fax (203) 699-1813  
customerservice@mcguiremfg.com mcguiremfg.com

**Part No.**

**LFBV09**

**Quarter-Turn Brass  
Ball Valve**

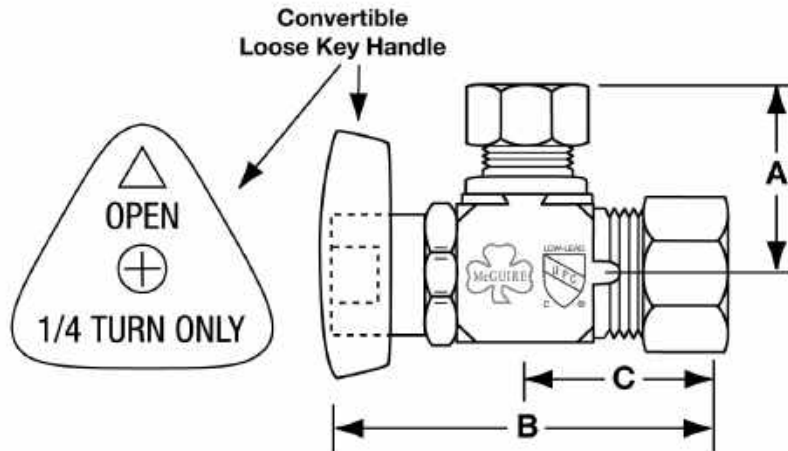
**PRODUCT SPECIFICATION**

**Job Name:**

**Submittal Number:**

# Convertible™

## Compression To Compression



NO.	DESCRIPTION	ROUGHING MEASUREMENTS		
		A	B	C
LFBV09	1/2" Nominal x 3/8" O.D.	1-3/16"	2-1/2"	1-1/4"

- Rated Operating Pressure: 20-125 PSI
- Rated Operating Temperature: 40-140°F
- Note: 180°F max. during temporary high-temperature system flush



### Specifications:

Lead free convertible quarter-turn brass ball valve, chrome plated commercial pattern with convertible loose key handle. Inlet shall be (1/2) inch (IPS, sweat, compression). Outlet shall be (3/8) inch (compression). Supply stop valve shall be McGuire \_\_\_\_\_  
Supply stop valve shall be certified by recognized testing authority and bear manufacturer and testing mark.



**WARNING:**

This product can expose you to chemicals including lead, which is known to the State of California to cause cancer, and birth defects or other reproductive harm. For more information go to [www.P65Warnings.ca.gov](http://www.P65Warnings.ca.gov).



**McGuire Manufacturing Co., Inc.**

60 Grandview Court

Cheshire, Connecticut 06410

(203) 699-1801 Fax (203) 699-1813

customerservice@mcguiremfg.com mcguiremfg.com

**PRODUCT SPECIFICATION**

**Part No.**

**LFBV082**

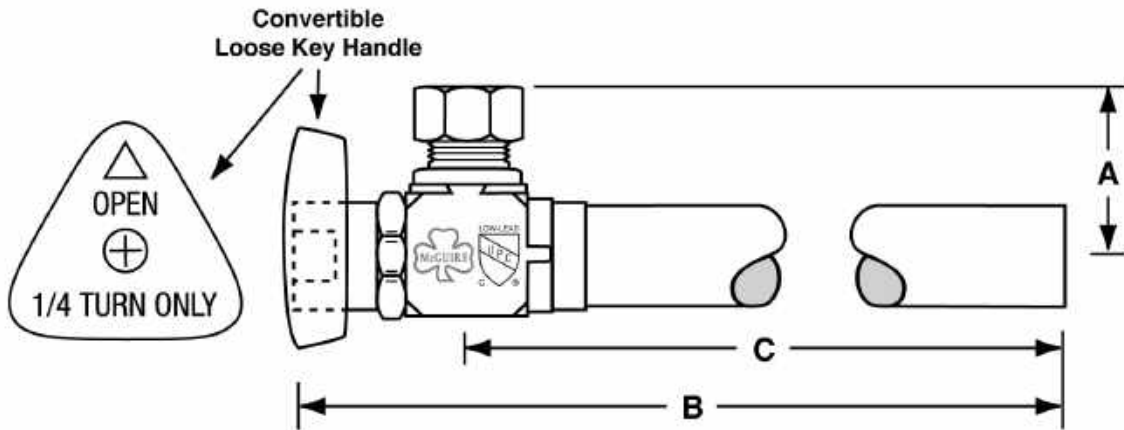
**Quarter-Turn Brass  
Ball Valve**

**Job Name:**

**Submittal Number:**

# Convertible™

## Sweat With 5" Extension To Compression



NO.	DESCRIPTION	ROUGHING MEASUREMENTS		
		A	B	C
LFBV082	1/2" Copper Sweat x 3/8" O.D.	1-3/16"	6-3/4"	5-1/2"

- Rated Operating Pressure: 20-125 PSI
- Rated Operating Temperature: 40-140°F
- Note: 180°F max. during temporary high-temperature system flush



### Specifications:

Lead free convertible quarter-turn brass ball valve, chrome plated commercial pattern with convertible loose key handle. Inlet shall be (1/2) inch (IPS, sweat, compression). Outlet shall be (3/8) inch (compression). Supply stop valve shall be McGuire \_\_\_\_\_  
Supply stop valve shall be certified by recognized testing authority and bear manufacturer and testing mark.



#### WARNING:

This product can expose you to chemicals including lead, which is known to the State of California to cause cancer, and birth defects or other reproductive harm. For more information go to [www.P66Warnings.ca.gov](http://www.P66Warnings.ca.gov).



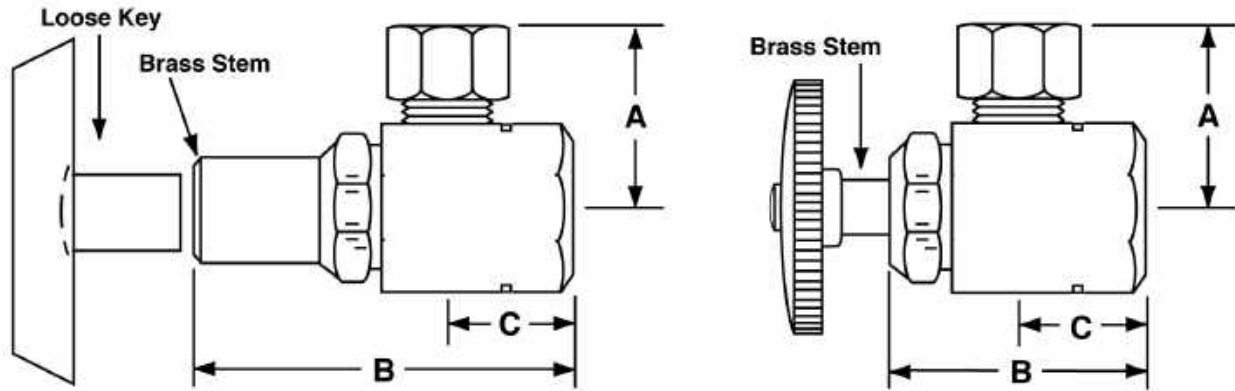
**McGuire Manufacturing Co., Inc.**  
 60 Grandview Court  
 Cheshire, Connecticut 06410  
 (203) 699-1801 Fax (203) 699-1813  
 customerservice@mcguiremfg.com mcguiremfg.com  
**PRODUCT SPECIFICATION**

**Part No.**  
**LFCK01**  
**Integral Check Valve**  
**IPS x Compression**

**Job Name:** \_\_\_\_\_

**Submittal Number:** \_\_\_\_\_

## Pipe To Compression



NO.	DESCRIPTION	ROUGHING MEASUREMENTS		
		A	B	C
LFCK01	3/8" I.P.S. x 3/8" O.D.	1"	1-1/2"	3/4"

- Rated Operating Pressure: 20-125 PSI
- Rated Operating Temperature: 40-140°F
- Note: 180°F max. during temporary high-temperature system flush

**LK** designates *Loose Key*

\* See options and accessories section for details on product variations.



### Specifications:

Chrome plated brass supply stop valve with spring actuated integral check valve and full turn brass stem. Inlet shall be (3/8, 1/2) inch (IPS, sweat, compression). Outlet shall be (3/8, 1/2) inch (IPS, compression). Integral check supply stop valve shall be McGuire \_\_\_\_\_  
 Integral check supply stop valve shall be certified or recognized by testing authority and bear manufacturer and testing mark.

**! WARNING:**

This product can expose you to chemicals including lead, which is known to the State of California to cause cancer, and birth defects or other reproductive harm. For more information go to [www.P65Warnings.ca.gov](http://www.P65Warnings.ca.gov).



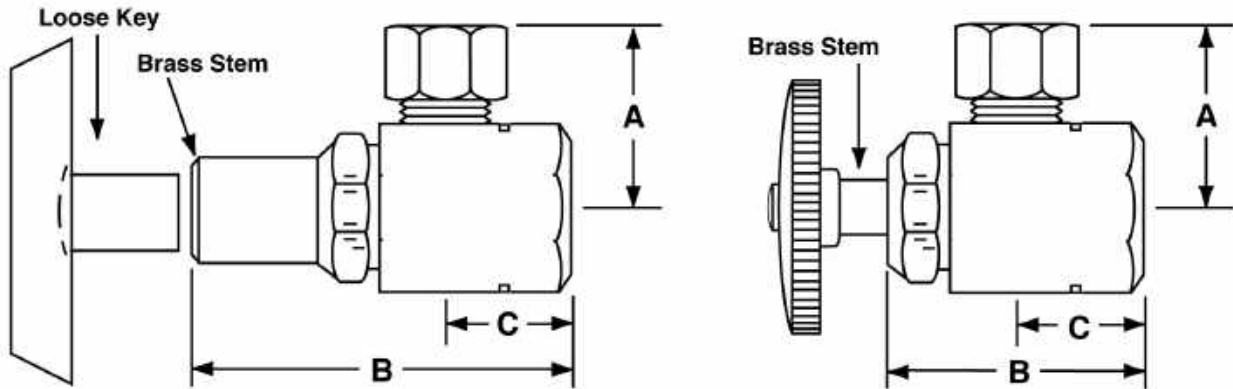
**McGuire Manufacturing Co., Inc.**  
 60 Grandview Court  
 Cheshire, Connecticut 06410  
 (203) 699-1801 Fax (203) 699-1813  
 customerservice@mcguiremfg.com mcguiremfg.com  
**PRODUCT SPECIFICATION**

**Part No.**  
**LFCK01LK**  
**Integral Check Valve**  
**IPS x Compression**

**Job Name:** \_\_\_\_\_

**Submittal Number:** \_\_\_\_\_

## Pipe To Compression



NO.	DESCRIPTION	ROUGHING MEASUREMENTS		
		A	B	C
LFCK01LK	3/8" I.P.S. x 3/8" O.D.	1"	2-1/4"	3/4"

- Rated Operating Pressure: 20-125 PSI
- Rated Operating Temperature: 40-140°F
- Note: 180°F max. during temporary high-temperature system flush



**LK** designates *Loose Key*

\* See options and accessories section for details on product variations.

### Specifications:

Chrome plated brass supply stop valve with spring actuated integral check valve and full turn brass stem. Inlet shall be (3/8, 1/2) inch (IPS, sweat, compression). Outlet shall be (3/8, 1/2) inch (IPS, compression). Integral check supply stop valve shall be McGuire \_\_\_\_\_.

Integral check supply stop valve shall be certified or recognized by testing authority and bear manufacturer and testing mark.

**! WARNING:**

This product can expose you to chemicals including lead, which is known to the State of California to cause cancer, and birth defects or other reproductive harm. For more information go to [www.P65Warnings.ca.gov](http://www.P65Warnings.ca.gov).



# McGuire Manufacturing Co., Inc.

60 Grandview Court  
Cheshire, Connecticut 06410  
(203) 699-1801 Fax (203) 699-1813  
customerservice@mcguiremfg.com mcguiremfg.com

## PRODUCT SPECIFICATION

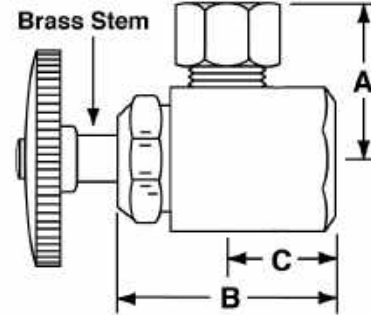
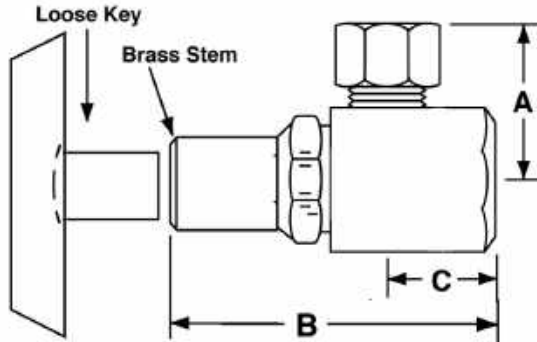
Part No.

**LFCK02**

**Integral Check Valve  
IPS x Compression**

**Job Name:**

**Submittal Number:**



NO.	DESCRIPTION	ROUGHING MEASUREMENTS		
		A	B	C
LFCK02	1/2" IPS x 3/8" OD, Wheel Handle	1-3/16"	1-1/2"	3/4"

- Rated Operating Pressure: 20-125 PSI
- Rated Operating Temperature: 40-140°F
- Note: 180°F max. during temporary high-temperature system flush

**LK** designates *Loose Key*

See options and accessories section for details on product variations.



## Specifications:

Chrome plated brass supply stop valve with spring actuated integral check valve and full turn brass stem. Inlet shall be (3/8, 1/2) inch (IPS, sweat, compression). Outlet shall be (3/8, 1/2) inch (IPS, compression). Integral check supply stop valve shall be McGuire \_\_\_\_\_ . Integral check supply stop valve shall be certified or recognized by testing authority and bear manufacturer and testing mark.



### WARNING:

This product can expose you to chemicals including lead, which is known to the State of California to cause cancer, and birth defects or other reproductive harm. For more information go to [www.P65Warnings.ca.gov](http://www.P65Warnings.ca.gov).





**McGuire Manufacturing Co., Inc.**

60 Grandview Court  
 Cheshire, Connecticut 06410  
 (203) 699-1801 Fax (203) 699-1813  
 customerservice@mcguiremfg.com mcguiremfg.com

**PRODUCT SPECIFICATION**

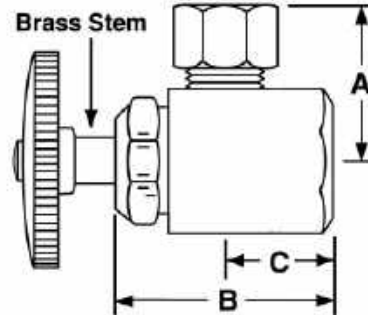
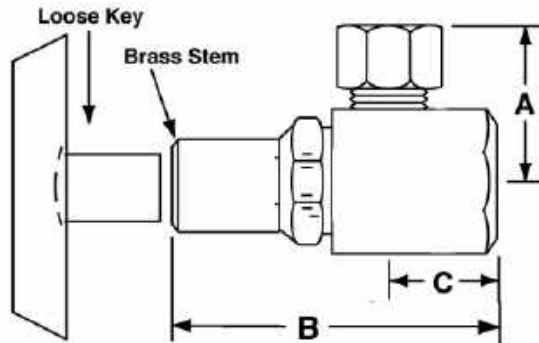
**Part No.**

**LFCK02LK**

**Integral Check Valve  
 IPS x Compression**

**Job Name:**

**Submittal Number:**



NO.	DESCRIPTION	ROUGHING MEASUREMENTS		
		A	B	C
LFCK02LK	1/2" IPS x 3/8" OD, Loose Key	1-3/16"	2-1/4"	3/4"

- Rated Operating Pressure: 20-125 PSI
- Rated Operating Temperature: 40-140°F
- Note: 180°F max. during temporary high-temperature system flush

**LK** designates *Loose Key*

See options and accessories section for details on product variations.



Certified to  
 NSF/ANSI 61 & 372



ASME A112.18.2

**Specifications:**

Chrome plated brass supply stop valve with spring actuated integral check valve and full turn brass stem. Inlet shall be (3/8, 1/2) inch (IPS, sweat, compression). Outlet shall be (3/8, 1/2) inch (IPS, compression). Integral check supply stop valve shall be McGuire \_\_\_\_\_.  
 Integral check supply stop valve shall be certified or recognized by testing authority and bear manufacturer and testing mark.



**WARNING:**

This product can expose you to chemicals including lead, which is known to the State of California to cause cancer, and birth defects or other reproductive harm. For more information go to [www.P65Warnings.ca.gov](http://www.P65Warnings.ca.gov).



# McGuire Manufacturing Co., Inc.

60 Grandview Court  
Cheshire, Connecticut 06410  
(203) 699-1801 Fax (203) 699-1813  
customerservice@mcguiremfg.com mcguiremfg.com

## PRODUCT SPECIFICATION

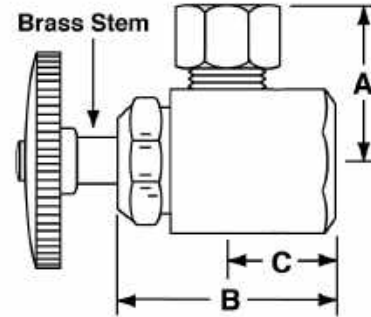
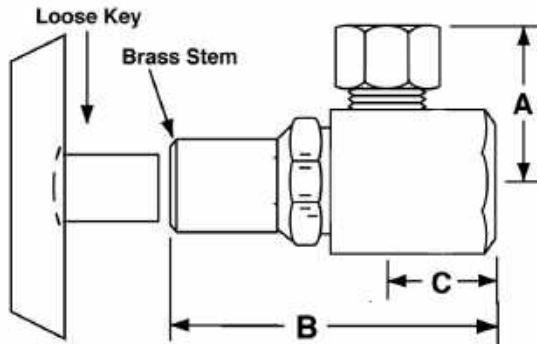
Part No.

# LFCK02LK

Integral Check Valve  
IPS x Compression

Job Name:

Submittal Number:



NO.	DESCRIPTION	ROUGHING MEASUREMENTS		
		A	B	C
LFCK02LK	1/2" IPS x 3/8" OD, Loose Key	1-3/16"	2-1/4"	3/4"

- Rated Operating Pressure: 20-125 PSI
- Rated Operating Temperature: 40-140°F
- Note: 180°F max. during temporary high-temperature system flush

**LK** designates *Loose Key*

See options and accessories section for details on product variations.



## Specifications:

Chrome plated brass supply stop valve with spring actuated integral check valve and full turn brass stem. Inlet shall be (3/8, 1/2) inch (IPS, sweat, compression). Outlet shall be (3/8, 1/2) inch (IPS, compression). Integral check supply stop valve shall be McGuire \_\_\_\_\_.  
Integral check supply stop valve shall be certified or recognized by testing authority and bear manufacturer and testing mark.



**WARNING:**

This product can expose you to chemicals including lead, which is known to the State of California to cause cancer, and birth defects or other reproductive harm. For more information go to [www.P65Warnings.ca.gov](http://www.P65Warnings.ca.gov).



# McGuire Manufacturing Co., Inc.

60 Grandview Court  
Cheshire, Connecticut 06410  
(203) 699-1801 Fax (203) 699-1813  
customerservice@mcguiremfg.com mcguiremfg.com

Part No.

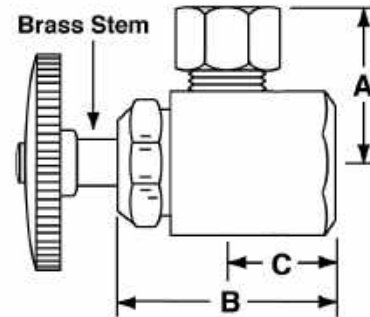
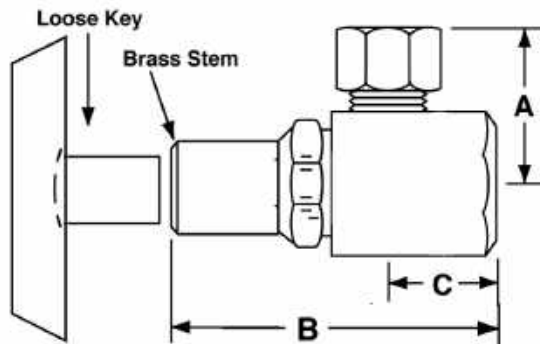
## LFCK03

Integral Check Valve  
IPS x Compression

### PRODUCT SPECIFICATION

Job Name:

Submittal Number:



NO.	DESCRIPTION	ROUGHING MEASUREMENTS		
		A	B	C
LFCK03	3/8" IPS x 1/2" OD, Wheel Handle	1-5/16"	1-1/2"	3/4"

- Rated Operating Pressure: 20-125 PSI
- Rated Operating Temperature: 40-140°F
- Note: 180°F max. during temporary high-temperature system flush

LK designates *Loose Key*

See options and accessories section for details on product variations.



### Specifications:

Chrome plated brass supply stop valve with spring actuated integral check valve and full turn brass stem. Inlet shall be (3/8, 1/2) inch (IPS, sweat, compression). Outlet shall be (3/8, 1/2) inch (IPS, compression). Integral check supply stop valve shall be McGuire \_\_\_\_\_ . Integral check supply stop valve shall be certified or recognized by testing authority and bear manufacturer and testing mark.



#### WARNING:

This product can expose you to chemicals including lead, which is known to the State of California to cause cancer, and birth defects or other reproductive harm. For more information go to [www.P65Warnings.ca.gov](http://www.P65Warnings.ca.gov).



# McGuire Manufacturing Co., Inc.

60 Grandview Court  
Cheshire, Connecticut 06410  
(203) 699-1801 Fax (203) 699-1813  
customerservice@mcguiremfg.com mcguiremfg.com

Part No.

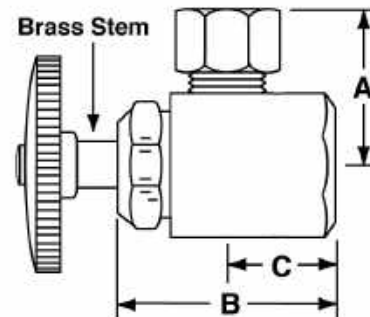
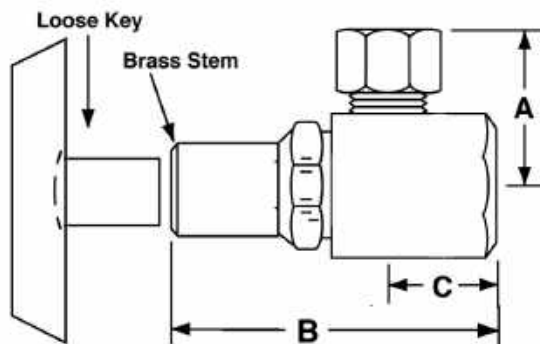
## LFCK03LK

Integral Check Valve  
IPS x Compression

### PRODUCT SPECIFICATION

Job Name:

Submittal Number:



NO.	DESCRIPTION	ROUGHING MEASUREMENTS		
		A	B	C
LFCK03LK	3/8" IPS x 1/2" OD, Loose Key	1-5/16"	2-1/4"	3/4"

- Rated Operating Pressure: 20-125 PSI
- Rated Operating Temperature: 40-140°F
- Note: 180°F max. during temporary high-temperature system flush

**LK** designates *Loose Key*

See options and accessories section for details on product variations.



### Specifications:

Chrome plated brass supply stop valve with spring actuated integral check valve and full turn brass stem. Inlet shall be (3/8, 1/2) inch (IPS, sweat, compression). Outlet shall be (3/8, 1/2) inch (IPS, compression). Integral check supply stop valve shall be McGuire \_\_\_\_\_. Integral check supply stop valve shall be certified or recognized by testing authority and bear manufacturer and testing mark.

#### WARNING:

This product can expose you to chemicals including lead, which is known to the State of California to cause cancer, and birth defects or other reproductive harm. For more information go to [www.P65Warnings.ca.gov](http://www.P65Warnings.ca.gov).



# McGuire Manufacturing Co., Inc.

60 Grandview Court  
 Cheshire, Connecticut 06410  
 (203) 699-1801 Fax (203) 699-1813  
 customerservice@mcguiremfg.com mcguiremfg.com

## PRODUCT SPECIFICATION

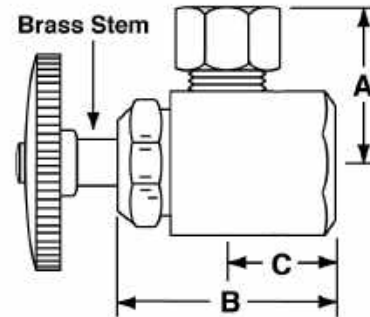
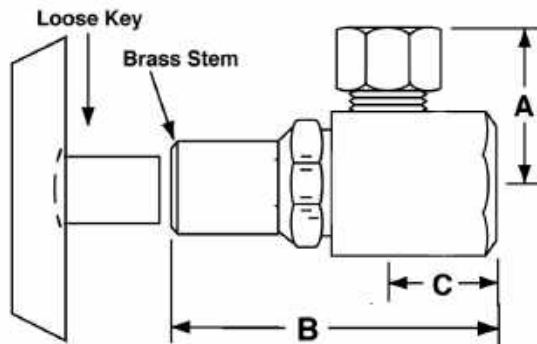
Part No.

**LFCK04**

**Integral Check Valve  
 IPS x Compression**

**Job Name:**

**Submittal Number:**



NO.	DESCRIPTION	ROUGHING MEASUREMENTS		
		A	B	C
LFCK04	1/2" IPS x 1/2" OD, Wheel Handle	1-5/16"	1-1/2"	3/4"

- Rated Operating Pressure: 20-125 PSI
- Rated Operating Temperature: 40-140°F
- Note: 180°F max. during temporary high-temperature system flush

**LK** designates *Loose Key*

See options and accessories section for details on product variations.



### Specifications:

Chrome plated brass supply stop valve with spring actuated integral check valve and full turn brass stem. Inlet shall be (3/8, 1/2) inch (IPS, sweat, compression). Outlet shall be (3/8, 1/2) inch (IPS, compression). Integral check supply stop valve shall be McGuire \_\_\_\_\_ . Integral check supply stop valve shall be certified or recognized by testing authority and bear manufacturer and testing mark.



**WARNING:**

This product can expose you to chemicals including lead, which is known to the State of California to cause cancer, and birth defects or other reproductive harm. For more information go to [www.P65Warnings.ca.gov](http://www.P65Warnings.ca.gov).



# McGuire Manufacturing Co., Inc.

60 Grandview Court  
Cheshire, Connecticut 06410  
(203) 699-1801 Fax (203) 699-1813  
customerservice@mcguiremfg.com mcguiremfg.com

Part No.

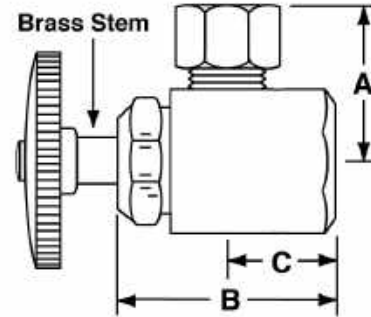
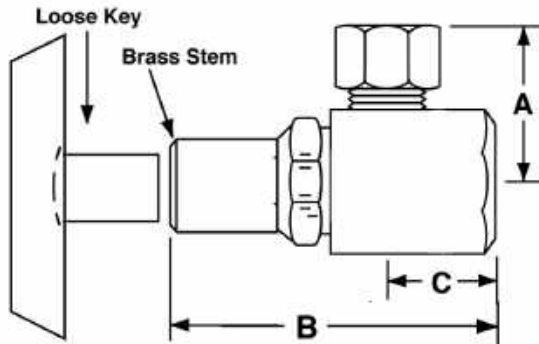
## LFCK04LK

Integral Check Valve  
IPS x Compression

### PRODUCT SPECIFICATION

Job Name:

Submittal Number:



NO.	DESCRIPTION	ROUGHING MEASUREMENTS		
		A	B	C
LFCK04LK	1/2" IPS x 1/2" OD Loose Key	1-5/16"	2-1/4"	3/4"

- Rated Operating Pressure: 20-125 PSI
- Rated Operating Temperature: 40-140°F
- Note: 180°F max. during temporary high-temperature system flush

LK designates *Loose Key*

See options and accessories section for details on product variations.



Certified to  
NSF/ANSI 61 & 372



ASME A112.18.3

## Specifications:

Chrome plated brass supply stop valve with spring actuated integral check valve and full turn brass stem. Inlet shall be (3/8, 1/2) inch (IPS, sweat, compression). Outlet shall be (3/8, 1/2) inch (IPS, compression). Integral check supply stop valve shall be McGuire \_\_\_\_\_ . Integral check supply stop valve shall be certified or recognized by testing authority and bear manufacturer and testing mark.



### WARNING:

This product can expose you to chemicals including lead, which is known to the State of California to cause cancer, and birth defects or other reproductive harm. For more information go to [www.P65Warnings.ca.gov](http://www.P65Warnings.ca.gov).



**McGuire Manufacturing Co., Inc.**  
 60 Grandview Court  
 Cheshire, Connecticut 06410  
 (203) 699-1801 Fax (203) 699-1813  
 customerservice@mcguiremfg.com mcguiremfg.com

**PRODUCT SPECIFICATION**

**Part No.**

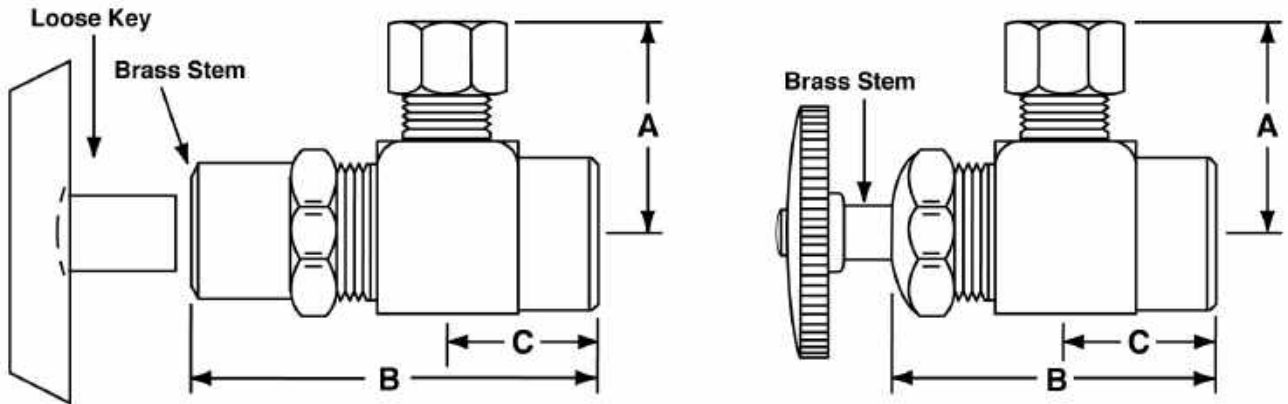
**LFCK07**

**Integral Check Valve  
 Copper Sweat x O.D.**

**Job Name:**

**Submittal Number:**

**Sweat to Compression**



NO.	DESCRIPTION	ROUGHING MEASUREMENTS		
		A	B	C
LFCK07	1/2" Copper Sweat x 3/8" O.D.	1-3/8"	2"	1"

- Rated Operating Pressure: 20-125 PSI
- Rated Operating Temperature: 40-140°F
- Note: 180°F max. during temporary high-temperature system flush

**LK** designates *Loose Key*

See options and accessories section for details on product variations.



**Specifications:**

Chrome plated brass supply stop valve with spring actuated integral check valve and full turn brass stem. Inlet shall be (3/8, 1/2) inch (IPS, sweat, compression). Outlet shall be (3/8, 1/2) inch (IPS, compression). Integral check supply stop valve shall be McGuire \_\_\_\_\_.

Integral check supply stop valve shall be certified or recognized by testing authority and bear manufacturer and testing mark.



**WARNING:**

This product can expose you to chemicals including lead, which is known to the State of California to cause cancer, and birth defects or other reproductive harm. For more information go to [www.P65Warnings.ca.gov](http://www.P65Warnings.ca.gov).



**McGuire Manufacturing Co., Inc.**  
 60 Grandview Court  
 Cheshire, Connecticut 06410  
 (203) 699-1801 Fax (203) 699-1813  
 customerservice@mcguiremfg.com mcguiremfg.com

**PRODUCT SPECIFICATION**

**Part No.**

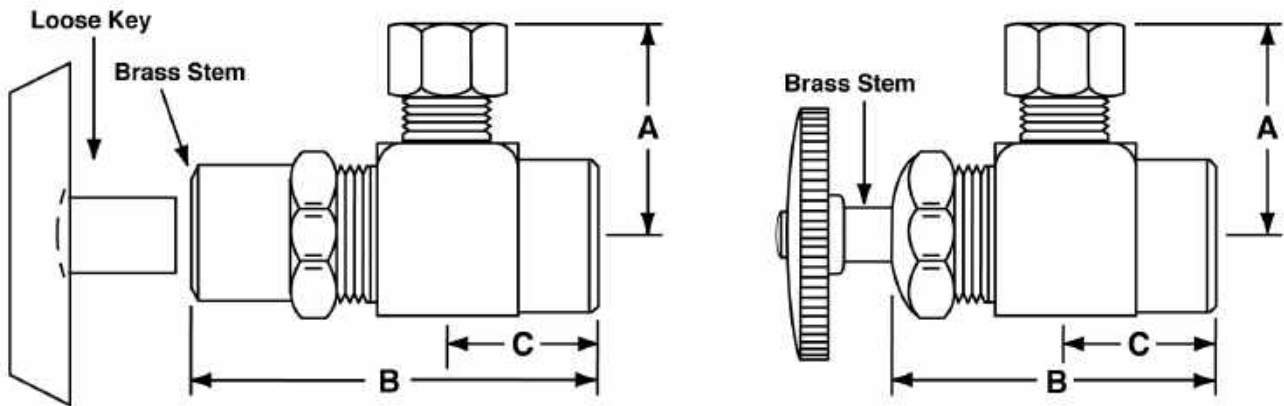
**LFCK07LK**

**Integral Check Valve  
 Copper Sweat x O.D.**

**Job Name:**

**Submittal Number:**

**Sweat to Compression**



NO.	DESCRIPTION	ROUGHING MEASUREMENTS		
		A	B	C
LFCK07LK	1/2" Copper Sweat x 3/8" O.D.	1-3/8"	2"	1"

- Rated Operating Pressure: 20-125 PSI
- Rated Operating Temperature: 40-140°F
- Note: 180°F max. during temporary high-temperature system flush

**LK** designates *Loose Key*

See options and accessories section for details on product variations.



**Specifications:**

Chrome plated brass supply stop valve with spring actuated integral check valve and full turn brass stem. Inlet shall be (3/8, 1/2) inch (IPS, sweat, compression). Outlet shall be (3/8, 1/2) inch (IPS, compression). Integral check supply stop valve shall be McGuire \_\_\_\_\_.

Integral check supply stop valve shall be certified or recognized by testing authority and bear manufacturer and testing mark.

**WARNING:**

This product can expose you to chemicals including lead, which is known to the State of California to cause cancer, and birth defects or other reproductive harm. For more information go to [www.P65Warnings.ca.gov](http://www.P65Warnings.ca.gov).





**McGuire Manufacturing Co., Inc.**

60 Grandview Court  
Cheshire, Connecticut 06410  
(203) 699-1801 Fax (203) 699-1813  
customerservice@mcguiremfg.com mcguiremfg.com

**PRODUCT SPECIFICATION**

**Part No.**

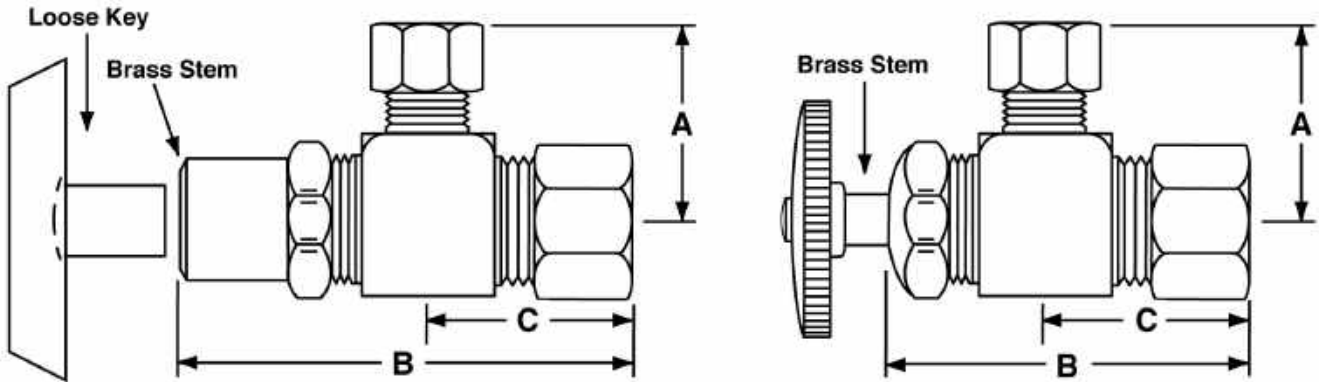
**LFCK09**

**Integral Check Valve  
Nominal x O.D.**

**Job Name:**

**Submittal Number:**

# Compression to Compression



NO.	DESCRIPTION	ROUGHING MEASUREMENTS		
		A	B	C
LFCK09	1/2" Nominal x 3/8" O.D.	1-3/8"	2-1/4"	1-3/8"

- Rated Operating Pressure: 20-125 PSI
- Rated Operating Temperature: 40-140°F
- Note: 180°F max. during temporary high-temperature system flush

**LK** designates *Loose Key*

See options and accessories section for details on product variations.



## Specifications:

Chrome plated brass supply stop valve with spring actuated integral check valve and full turn brass stem. Inlet shall be (3/8, 1/2) inch (IPS, sweat, compression). Outlet shall be (3/8, 1/2) inch (IPS, compression). Integral check supply stop valve shall be McGuire \_\_\_\_\_.  
Integral check supply stop valve shall be certified or recognized by testing authority and bear manufacturer and testing mark.

### **WARNING:**

This product can expose you to chemicals including lead, which is known to the State of California to cause cancer, and birth defects or other reproductive harm. For more information go to [www.P65Warnings.ca.gov](http://www.P65Warnings.ca.gov).



**McGuire Manufacturing Co., Inc.**

60 Grandview Court  
Cheshire, Connecticut 06410  
(203) 699-1801 Fax (203) 699-1813  
customerservice@mcguiremfg.com mcguiremfg.com

**PRODUCT SPECIFICATION**

**Part No.**

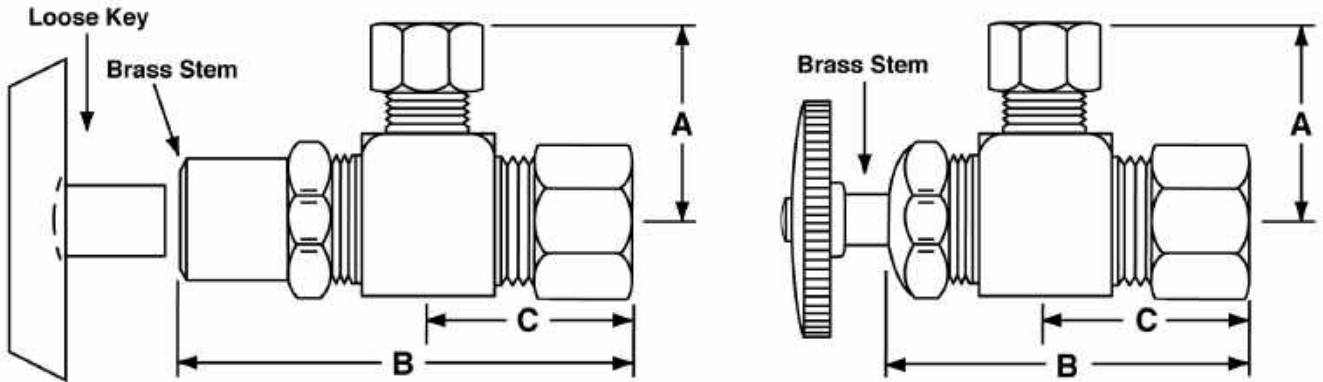
**LFCK09LK**

**Integral Check Valve  
Nominal x O.D.**

**Job Name:**

**Submittal Number:**

# Compression to Compression



NO.	DESCRIPTION	ROUGHING MEASUREMENTS		
		A	B	C
LFCK09LK	1/2" Nominal x 3/8" O.D.	1-3/8"	2-1/4"	1-3/8"

- Rated Operating Pressure: 20-125 PSI
- Rated Operating Temperature: 40-140°F
- Note: 180°F max. during temporary high-temperature system flush

**LK** designates *Loose Key*

See options and accessories section for details on product variations.



## Specifications:

Chrome plated brass supply stop valve with spring actuated integral check valve and full turn brass stem. Inlet shall be (3/8, 1/2) inch (IPS, sweat, compression). Outlet shall be (3/8, 1/2) inch (IPS, compression). Integral check supply stop valve shall be McGuire \_\_\_\_\_.  
Integral check supply stop valve shall be certified or recognized by testing authority and bear manufacturer and testing mark.

**WARNING:**

This product can expose you to chemicals including lead, which is known to the State of California to cause cancer, and birth defects or other reproductive harm. For more information go to [www.P65Warnings.ca.gov](http://www.P65Warnings.ca.gov).



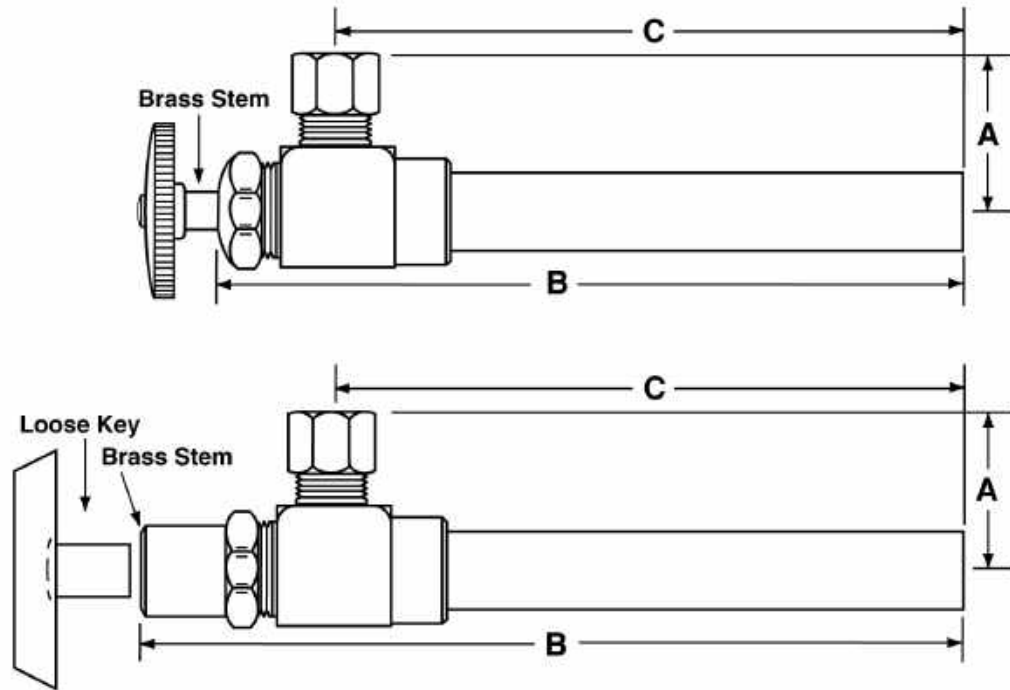
**McGuire Manufacturing Co., Inc.**  
 60 Grandview Court  
 Cheshire, Connecticut 06410  
 (203) 699-1801 Fax (203) 699-1813  
 customerservice@mcguiremfg.com mcguiremfg.com  
**PRODUCT SPECIFICATION**

**Part No.**  
**LFCK082**  
**Integral Check Valve**  
**Copper Sweat x O.D.**

**Job Name:** \_\_\_\_\_

**Submittal Number:** \_\_\_\_\_

## Sweat with 5" Extension to Compression



NO.	DESCRIPTION	ROUGHING MEASUREMENTS		
		A	B	C
LFCK082	1/2" Copper Sweat x 3/8" O.D.	1-3/8"	7-7/16"	5-3/4"

- Rated Operating Pressure: 20-125 PSI
- Rated Operating Temperature: 40-140°F
- Note: 180°F max. during temporary high-temperature system flush

**LK** designates *Loose Key*

\* See options and accessories section for details on product variations.



### Specifications:

Chrome plated brass supply stop valve with spring actuated integral check valve and full turn brass stem. Inlet shall be (3/8, 1/2) inch (IPS, sweat, compression). Outlet shall be (3/8, 1/2) inch (IPS, compression). Integral check supply stop valve shall be McGuire \_\_\_\_\_  
 Integral check supply stop valve shall be certified or recognized by testing authority and bear

**WARNING:**

This product can expose you to chemicals including lead, which is known to the State of California to cause cancer, and birth defects or other reproductive harm. For more information go to [www.P65Warnings.ca.gov](http://www.P65Warnings.ca.gov).



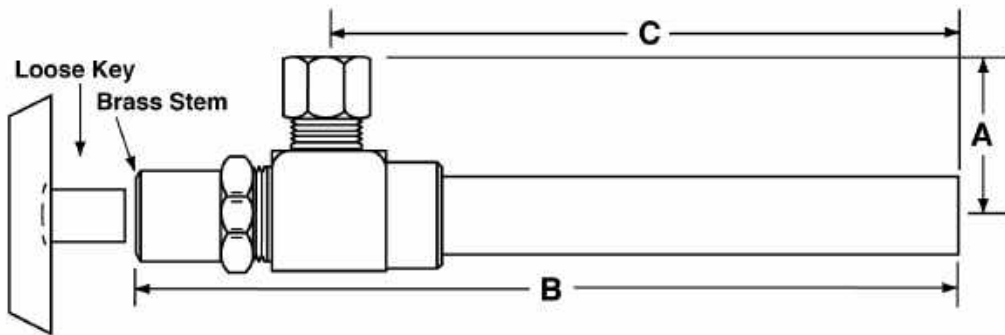
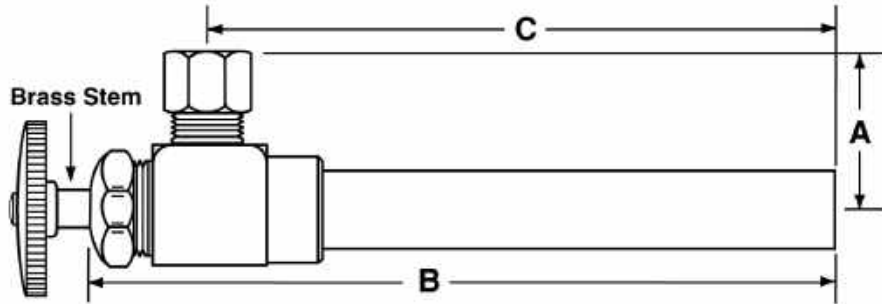
**McGuire Manufacturing Co., Inc.**  
 60 Grandview Court  
 Cheshire, Connecticut 06410  
 (203) 699-1801 Fax (203) 699-1813  
 customerservice@mcguiremfg.com mcguiremfg.com  
**PRODUCT SPECIFICATION**

**Part No.**  
**LFCK082LK**  
**Integral Check Valve**  
**Copper Sweat x O.D.**

**Job Name:** \_\_\_\_\_

**Submittal Number:** \_\_\_\_\_

## Sweat with 5" Extension to Compression



NO.	DESCRIPTION	ROUGHING MEASUREMENTS		
		A	B	C
LFCK082LK	1/2" Copper Sweat x 3/8" O.D.	1-3/8"	7-7/16"	5-3/4"

- Rated Operating Pressure: 20-125 PSI
- Rated Operating Temperature: 40-140°F
- Note: 180°F max. during temporary high-temperature system flush

**LK** designates *Loose Key*

\* See options and accessories section for details on product variations.



### Specifications:

Chrome plated brass supply stop valve with spring actuated integral check valve and full turn brass stem. Inlet shall be (3/8, 1/2) inch (IPS, sweat, compression). Outlet shall be (3/8, 1/2) inch (IPS, compression). Integral check supply stop valve shall be McGuire \_\_\_\_\_  
 Integral check supply stop valve shall be certified or recognized by testing authority and bear

**WARNING:**

This product can expose you to chemicals including lead, which is known to the State of California to cause cancer, and birth defects or other reproductive harm. For more information go to [www.P65Warnings.ca.gov](http://www.P65Warnings.ca.gov).



**McGuire Manufacturing Co., Inc.**

60 Grandview Court  
P.O. Box 746 • Cheshire, CT 06410  
203-699-1801 • Fax: 203-699-1813  
www.mcguiremfg.com

**PRODUCT SPECIFICATION**

**Part No.**

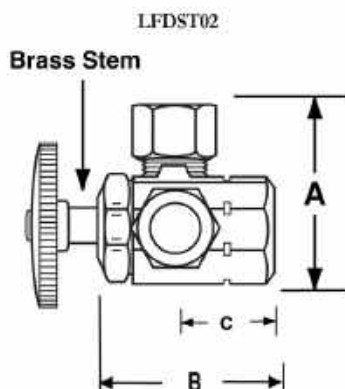
**LFDST02**

**Dual Outlet Supply Stops**

**Job Name:**

**Submittal Number:**

# Pipe x Compression



NO.	DESCRIPTION	ROUGHING MEASUREMENTS		
		A	B	C
LFDST02	1/2" IPS x 3/8" OD x 3/8" OD	1"	1-1/2"	3/4"

- Rated Operating Pressure: 20-125 PSI
- Rated Operating Temperature: 40-140°F
- Note: 180°F max. during temporary high-temperature system flush



## Specifications:

Chrome plated brass, supply stop valve with full turn brass stem. Inlet shall be 1/2 inch (sweat, IPS, compression.) Outlets shall be (3/8 or 1/4" inch) compression. Supply stop valve shall be McGuire \_\_\_\_\_ . Supply stop valve shall be recognized by testing authority and bear manufacturer and testing mark.



**WARNING:**

This product can expose you to chemicals including lead, which is known to the State of California to cause cancer, and birth defects or other reproductive harm. For more information go to [www.P65Warnings.ca.gov](http://www.P65Warnings.ca.gov).



**McGuire Manufacturing Co., Inc.**

60 Grandview Court

Cheshire, Connecticut 06410

(203) 699-1801 Fax (203) 699-1813

customerservice@mcguiremfg.com mcguiremfg.com

**PRODUCT SPECIFICATION**

**Part No.**

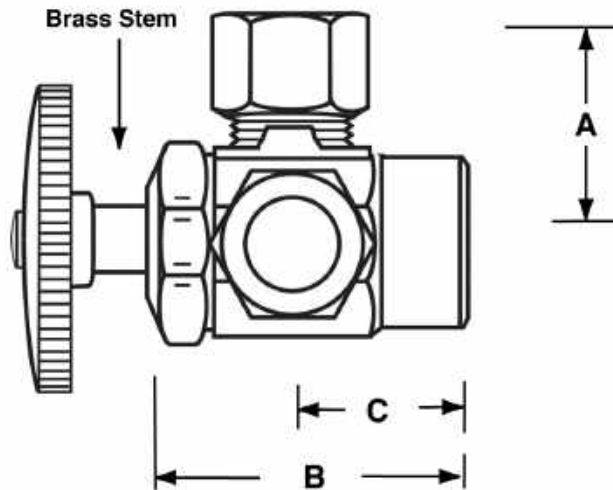
**LFDST07**

**Dual Outlet Supply Stop  
Copper Sweat x O.D.**

**Job Name:**

**Submittal Number:**

## Sweat To Compression



NO.	DESCRIPTION	ROUGHING MEASUREMENTS		
		A	B	C
LFDST07	1/2" Copper Swt x 3/8" OD x 3/8 OD	1"	1-3/8"	3/4"

- Rated Operating Pressure: 20-125 PSI
- Rated Operating Temperature: 40-140°F
- Note: 180°F max. during temporary high-temperature system flush



### Specifications:

Chrome plated brass, supply stop valve with full turn brass stem. Inlet shall be 1/2 inch sweat. Outlets shall be 3/8 inch compression. Supply stop valve shall be McGuire \_\_\_\_\_.

Supply stop valve shall be recognized by testing authority and bear manufacturer and testing mark.



#### WARNING:

This product can expose you to chemicals including lead, which is known to the State of California to cause cancer, and birth defects or other reproductive harm. For more information go to [www.P65Warnings.ca.gov](http://www.P65Warnings.ca.gov).



**McGuire Manufacturing Co., Inc.**

60 Grandview Court  
P.O. Box 746 • Cheshire, CT 06410  
203-699-1801 • Fax: 203-699-1813  
www.mcguiremfg.com

**PRODUCT SPECIFICATION**

**Part No.**

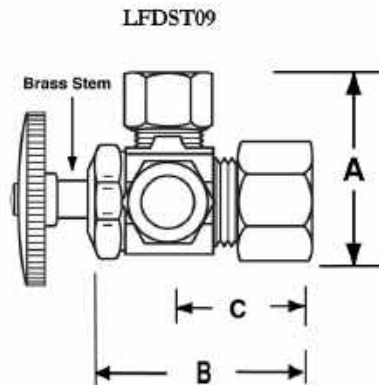
**LFDST09**

**Dual Outlet Supply Stops**

**Job Name:**

**Submittal Number:**

# Compression x Compression



NO.	DESCRIPTION	ROUGHING MEASUREMENTS		
		A	B	C
LFDST09	1/2" Compression x 3/8" OD x 3/8" OD	1"	1-1/2"	1-1/8"

- Rated Operating Pressure: 20-125 PSI
- Rated Operating Temperature: 40-140°F
- Note: 180°F max. during temporary high-temperature system flush



## Specifications:

Chrome plated brass, supply stop valve with full turn brass stem. Inlet shall be 1/2 inch (sweat, IPS, compression.) Outlets shall be (3/8 or 1/4" inch) compression. Supply stop valve shall be McGuire \_\_\_\_\_ . Supply stop valve shall be recognized by testing authority and bear manufacturer and testing mark.



**WARNING:**

This product can expose you to chemicals including lead, which is known to the State of California to cause cancer, and birth defects or other reproductive harm. For more information go to [www.P65Warnings.ca.gov](http://www.P65Warnings.ca.gov).



**McGuire Manufacturing Co., Inc.**

60 Grandview Court  
P.O. Box 746 • Cheshire, CT 06410  
203-699-1801 • Fax: 203-699-1813  
www.mcguiremfg.com

**PRODUCT SPECIFICATION**

**Part No.**

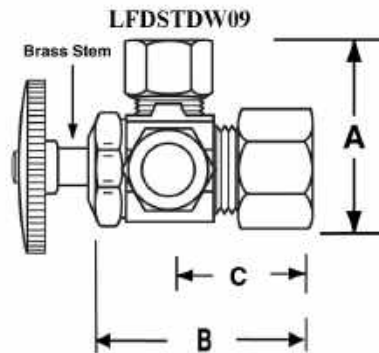
**LFDSTDW09**

**Dual Outlet Supply Stops**

**Job Name:**

**Submittal Number:**

# Compression x Compression



NO.	DESCRIPTION	ROUGHING MEASUREMENTS		
		A	B	C
LFDSTDW09	1/2" Compression x 3/8" OD x 1/4" OD	1"	1-3/4"	1-1/8"

- Rated Operating Pressure: 20-125 PSI
- Rated Operating Temperature: 40-140°F
- Note: 180°F max. during temporary high-temperature system flush



## Specifications:

Chrome plated brass, supply stop valve with full turn brass stem. Inlet shall be 1/2 inch (sweat, IPS, compression.) Outlets shall be (3/8 or 1/4" inch) compression. Supply stop valve shall be McGuire \_\_\_\_\_ . Supply stop valve shall be recognized by testing authority and bear manufacturer and testing mark.



**WARNING:**

This product can expose you to chemicals including lead, which is known to the State of California to cause cancer, and birth defects or other reproductive harm. For more information go to [www.P65Warnings.ca.gov](http://www.P65Warnings.ca.gov).





**McGuire Manufacturing Co., Inc.**

60 Grandview Court  
Cheshire, Connecticut 06410  
(203) 699-1801 Fax (203) 699-1813  
customerservice@mcguiremfg.com mcguiremfg.com

**Part No.**

**LFH11STLK**

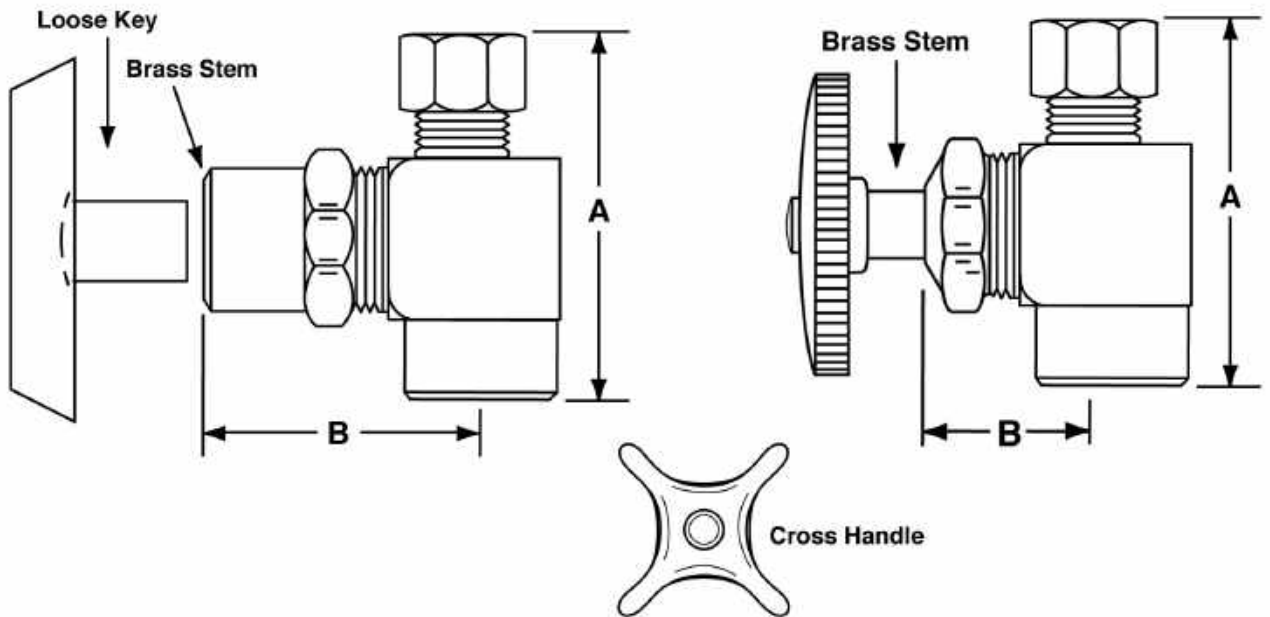
**Premier Straight Supply Stop  
I.P.S. x O.D.**

**PRODUCT SPECIFICATION**

**Job Name:**

**Submittal Number:**

# Pipe to Compression



NO.	DESCRIPTION	ROUGHING MEASUREMENTS	
		A	B
LFHST11LK	3/8" I.P.S. x 3/8" O.D.	2-1/8"	1-1/2"

- Rated Operating Pressure: 20-125 PSI
- Rated Operating Temperature: 40-140°F
- Note: 180°F max. during temporary high-temperature system flush



**LK** designates *Loose Key*

See options and accessories section for details on product variations.

## Specifications:

Chrome plated brass, heavy supply stop valve with full turn brass stem. Inlet shall be (3/8, 1/2) inch (IPS, sweat, compression). Outlet shall be (3/8, 1/2) inch (IPS, compression). Supply stop shall be McGuire \_\_\_\_\_. Supply stop valve shall be certified by recognized testing authority and bear manufacturer and testing mark. Stop to be certified to 200 psi line pressure.



### WARNING:

This product can expose you to chemicals including lead, which is known to the State of California to cause cancer, and birth defects or other reproductive harm. For more information go to [www.P65Warnings.ca.gov](http://www.P65Warnings.ca.gov).



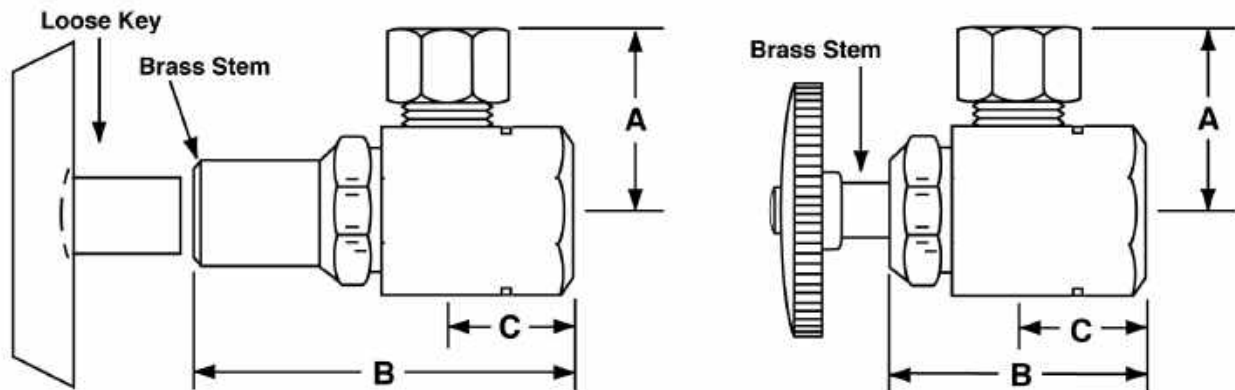
**McGuire Manufacturing Co., Inc.**  
 60 Grandview Court  
 Cheshire, Connecticut 06410  
 (203) 699-1801 Fax (203) 699-1813  
 customerservice@mcguiremfg.com mcguiremfg.com  
**PRODUCT SPECIFICATION**

**Part No.**  
**LFHST01**  
**Angle Supply Stops**

**Job Name:** \_\_\_\_\_

**Submittal Number:** \_\_\_\_\_

## Pipe To Compression



NO.	DESCRIPTION	ROUGHING MEASUREMENTS		
		A	B	C
LFHST01	3/8" I.P.S. x 3/8" O.D.	1"	1-1/2"	3/4"

- Rated Operating Pressure: 20-125 PSI
- Rated Operating Temperature: 40-140°F
- Note: 180°F max. during temporary high-temperature system flush

**LK** designates *Loose Key*

\* See options and accessories section for details on product variations.



## Specifications:

Chrome plated brass, heavy pattern supply stop valve with full turn brass stem. Inlet shall be 3/8 inch IPS. Outlet shall be 3/8 inch compression. Supply stop shall be McGuire \_\_\_\_\_  
 Supply stop shall be certified by recognized authority and bear manufacturer and testing mark.



### WARNING:

This product can expose you to chemicals including lead, which is known to the State of California to cause cancer, and birth defects or other reproductive harm. For more information go to [www.P65Warnings.ca.gov](http://www.P65Warnings.ca.gov).



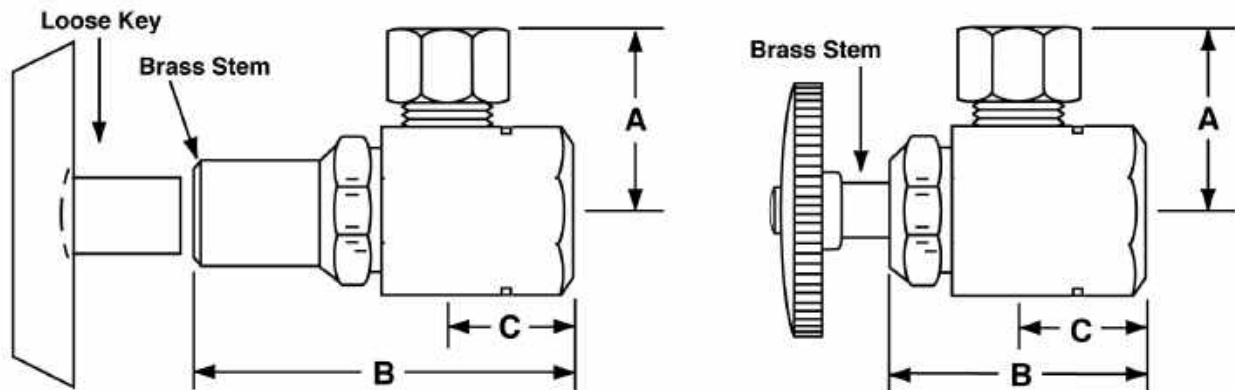
**McGuire Manufacturing Co., Inc.**  
 60 Grandview Court  
 Cheshire, Connecticut 06410  
 (203) 699-1801 Fax (203) 699-1813  
 customerservice@mcguiremfg.com mcguiremfg.com  
**PRODUCT SPECIFICATION**

**Part No.**  
**LFHST01LK**  
**Angle Supply Stops**

**Job Name:**

**Submittal Number:**

## Pipe To Compression



NO.	DESCRIPTION	ROUGHING MEASUREMENTS		
		A	B	C
LFHST01LK	3/8" I.P.S. x 3/8" O.D.	1"	2-1/4"	3/4"

- Rated Operating Pressure: 20-125 PSI
- Rated Operating Temperature: 40-140°F
- Note: 180°F max. during temporary high-temperature system flush

**LK** designates *Loose Key*

\* See options and accessories section for details on product variations.



### Specifications:

Chrome plated brass, heavy pattern supply stop valve with full turn brass stem. Inlet shall be 3/8 inch IPS. Outlet shall be 3/8 inch compression. Supply stop shall be McGuire \_\_\_\_\_  
 Supply stop shall be certified by recognized authority and bear manufacturer and testing mark.



**WARNING:**

This product can expose you to chemicals including lead, which is known to the State of California to cause cancer, and birth defects or other reproductive harm. For more information go to [www.P65Warnings.ca.gov](http://www.P65Warnings.ca.gov).



# McGuire Manufacturing Co., Inc.

60 Grandview Court  
Cheshire, Connecticut 06410  
(203) 699-1801 Fax (203) 699-1813  
customerservice@mcguiremfg.com mcguiremfg.com

## PRODUCT SPECIFICATION

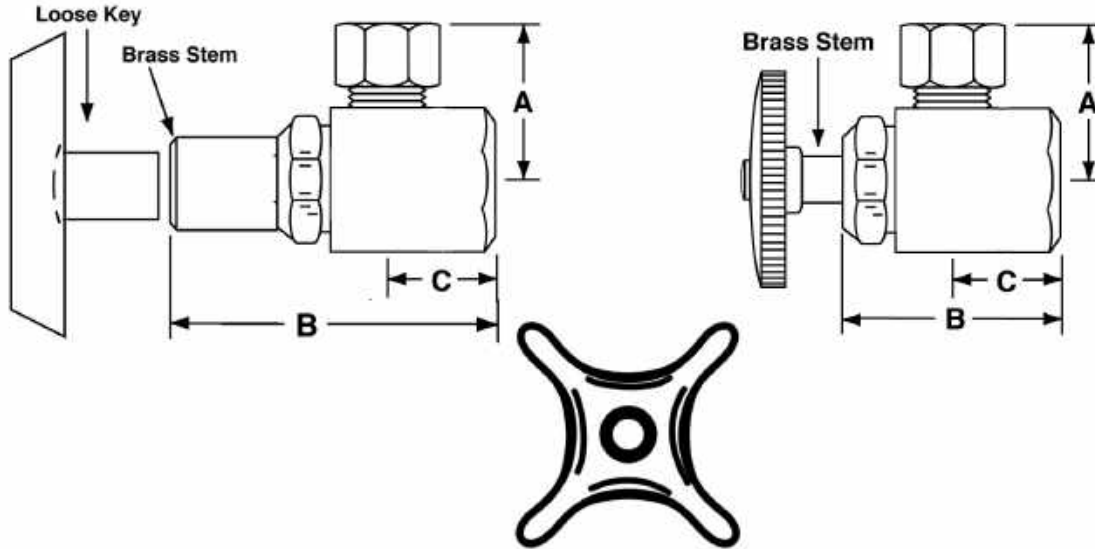
Part No.

# LFHST02

Heavy Pattern Angle Supply Stop  
IPS x Compression

Job Name:

Submittal Number:



NO.	DESCRIPTION	ROUGHING MEASUREMENTS		
		A	B	C
LFHST02	1/2" IPS x 3/8" OD, Wheel Handle	1-3/16"	1-1/2"	3/4"

- Rated Operating Pressure: 20-125 PSI
- Rated Operating Temperature: 40-140°F
- Note: 180°F max. during temporary high-temperature system flush

**X** designates Cross Handle

**LK** designates *Loose Key*

See options and accessories section for details on product variations.



## Specifications:

Chrome plated brass supply stop valve with full turn brass stem. Inlet shall be (3/8, 1/2) inch (IPS, sweat, compression). Outlet shall be (3/8, 1/2) inch (IPS, compression). Supply stop valve shall be McGuire \_\_\_\_\_ . Supply stop valve shall be certified or recognized by testing authority and bear manufacturer and testing mark.

### WARNING:

This product can expose you to chemicals including lead, which is known to the State of California to cause cancer, and birth defects or other reproductive harm. For more information go to [www.P65Warnings.ca.gov](http://www.P65Warnings.ca.gov).



# McGuire Manufacturing Co., Inc.

60 Grandview Court  
 Cheshire, Connecticut 06410  
 (203) 699-1801 Fax (203) 699-1813  
 customerservice@mcguiremfg.com mcguiremfg.com

## PRODUCT SPECIFICATION

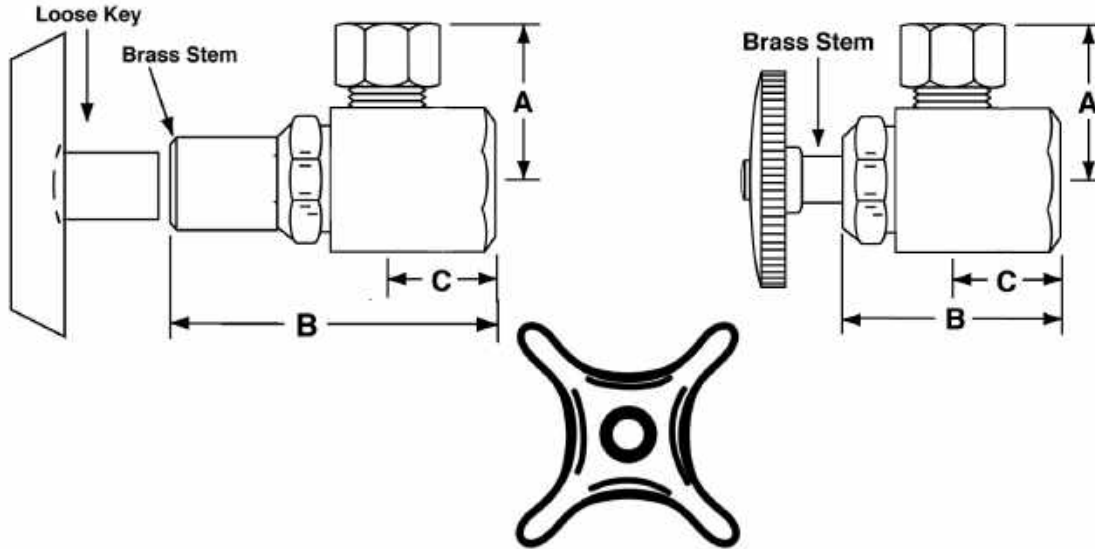
Part No.

**LFHST02LK**

Heavy Pattern Angle Supply Stop  
 IPS x Compression

Job Name:

Submittal Number:



NO.	DESCRIPTION	ROUGHING MEASUREMENTS		
		A	B	C
LFHST02LK	1/2" IPS x 3/8" OD, Loose Key	1-3/16"	2-1/4"	3/4"

- Rated Operating Pressure: 20-125 PSI
- Rated Operating Temperature: 40-140°F
- Note: 180°F max. during temporary high-temperature system flush

**X** designates Cross Handle

**LK** designates *Loose Key*

See options and accessories section for details on product variations.



### Specifications:

Chrome plated brass supply stop valve with full turn brass stem. Inlet shall be (3/8, 1/2) inch (IPS, sweat, compression). Outlet shall be (3/8, 1/2) inch (IPS, compression). Supply stop valve shall be McGuire \_\_\_\_\_ . Supply stop valve shall be certified or recognized by testing authority and bear manufacturer and testing mark.

#### WARNING:

This product can expose you to chemicals including lead, which is known to the State of California to cause cancer, and birth defects or other reproductive harm. For more information go to [www.P65Warnings.ca.gov](http://www.P65Warnings.ca.gov).



# McGuire Manufacturing Co., Inc.

60 Grandview Court  
Cheshire, Connecticut 06410  
(203) 699-1801 Fax (203) 699-1813  
customerservice@mcguiremfg.com mcguiremfg.com

## PRODUCT SPECIFICATION

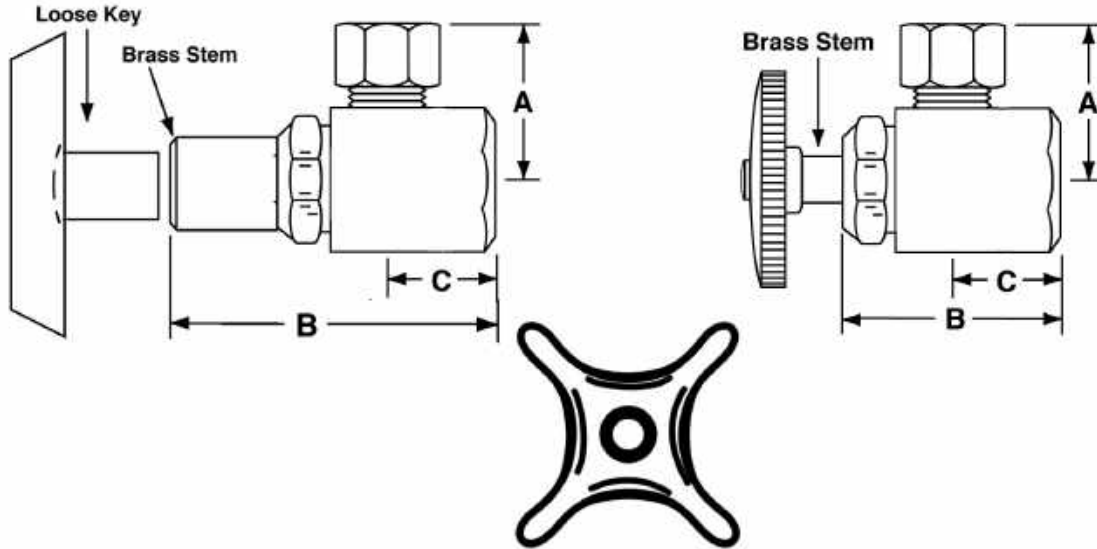
Part No.

# LFHST03

Heavy Pattern Angle Supply Stop  
IPS x Compression

Job Name:

Submittal Number:



NO.	DESCRIPTION	ROUGHING MEASUREMENTS		
		A	B	C
LFHST03	3/8" IPS x 1/2" OD, Wheel Handle	1-5/16"	1-1/2"	3/4"

- Rated Operating Pressure: 20-125 PSI
- Rated Operating Temperature: 40-140°F
- Note: 180°F max. during temporary high-temperature system flush

**X** designates Cross Handle

**LK** designates *Loose Key*

See options and accessories section for details on product variations.



## Specifications:

Chrome plated brass supply stop valve with full turn brass stem. Inlet shall be (3/8, 1/2) inch (IPS, sweat, compression). Outlet shall be (3/8, 1/2) inch (IPS, compression). Supply stop valve shall be McGuire \_\_\_\_\_ . Supply stop valve shall be certified or recognized by testing authority and bear manufacturer and testing mark.



### WARNING:

This product can expose you to chemicals including lead, which is known to the State of California to cause cancer, and birth defects or other reproductive harm. For more information go to [www.P65Warnings.ca.gov](http://www.P65Warnings.ca.gov).



# McGuire Manufacturing Co., Inc.

60 Grandview Court  
Cheshire, Connecticut 06410  
(203) 699-1801 Fax (203) 699-1813  
customerservice@mcguiremfg.com mcguiremfg.com

Part No.

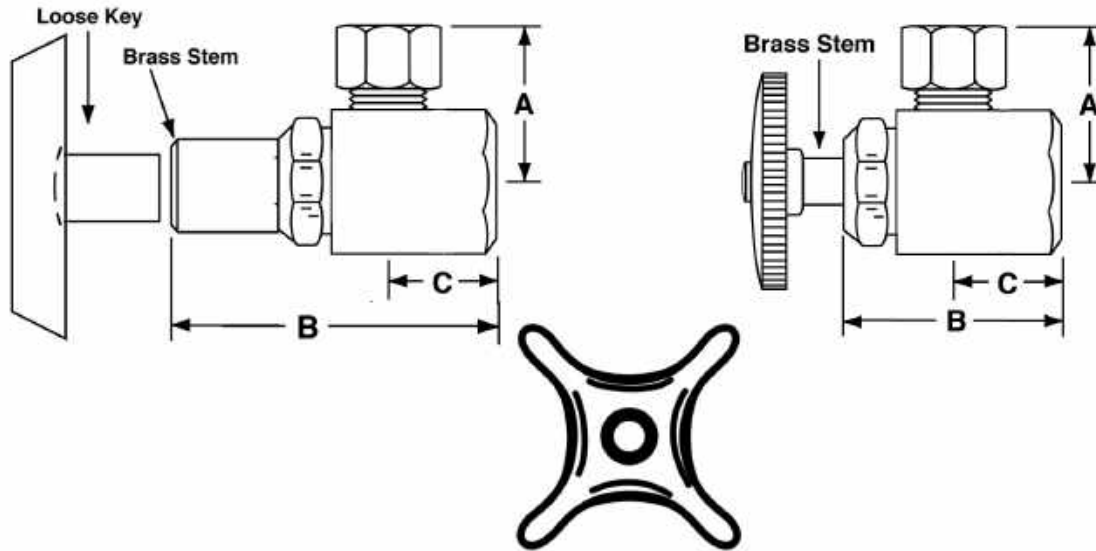
## LFHST03LK

Heavy Pattern Angle Supply Stop  
IPS x Compression

### PRODUCT SPECIFICATION

Job Name:

Submittal Number:



NO.	DESCRIPTION	ROUGHING MEASUREMENTS		
		A	B	C
LFHST03LK	3/8" IPS x 1/2" OD, Loose Key	1-5/16"	2-1/4"	3/4"

- Rated Operating Pressure: 20-125 PSI
- Rated Operating Temperature: 40-140°F
- Note: 180°F max. during temporary high-temperature system flush

**X** designates Cross Handle

**LK** designates *Loose Key*

See options and accessories section for details on product variations.



### Specifications:

Chrome plated brass supply stop valve with full turn brass stem. Inlet shall be (3/8, 1/2) inch (IPS, sweat, compression). Outlet shall be (3/8, 1/2) inch (IPS, compression). Supply stop valve shall be McGuire \_\_\_\_\_ . Supply stop valve shall be certified or recognized by testing authority and bear manufacturer and testing mark.

#### WARNING:

This product can expose you to chemicals including lead, which is known to the State of California to cause cancer, and birth defects or other reproductive harm. For more information go to [www.P65Warnings.ca.gov](http://www.P65Warnings.ca.gov).



# McGuire Manufacturing Co., Inc.

60 Grandview Court  
Cheshire, Connecticut 06410  
(203) 699-1801 Fax (203) 699-1813  
customerservice@mcguiremfg.com mcguiremfg.com

## PRODUCT SPECIFICATION

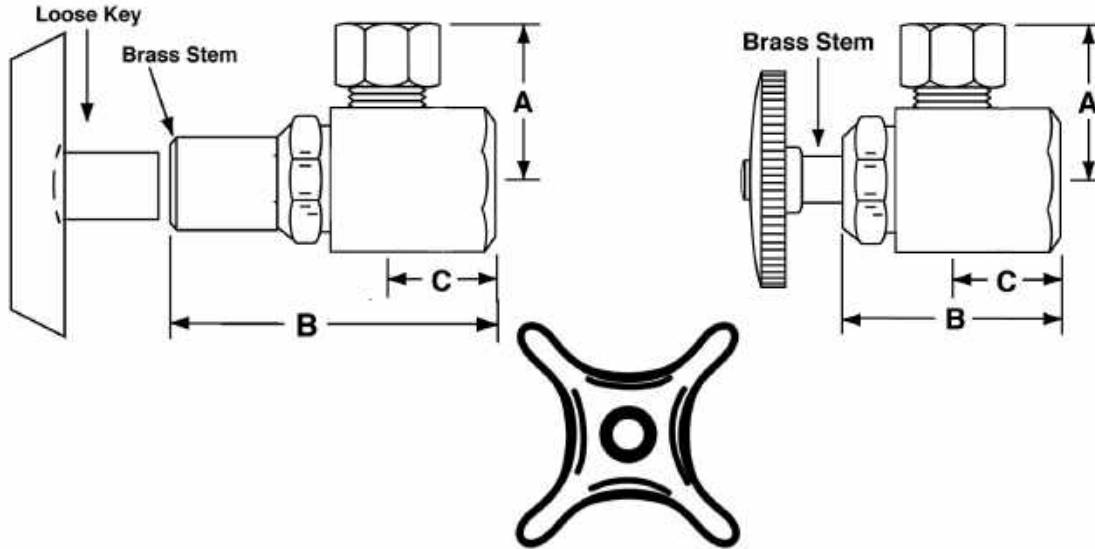
Part No.

# LFHST04

Heavy Pattern Angle Supply Stop  
IPS x Compression

Job Name:

Submittal Number:



NO.	DESCRIPTION	ROUGHING MEASUREMENTS		
		A	B	C
LFHST04	1/2" IPS x 1/2" OD, Wheel Handle	1-5/16"	1-1/2"	3/4"

- Rated Operating Pressure: 20-125 PSI
- Rated Operating Temperature: 40-140°F
- Note: 180°F max. during temporary high-temperature system flush

**X** designates Cross Handle

**LK** designates *Loose Key*

See options and accessories section for details on product variations.



## Specifications:

Chrome plated brass supply stop valve with full turn brass stem. Inlet shall be (3/8, 1/2) inch (IPS, sweat, compression). Outlet shall be (3/8, 1/2) inch (IPS, compression). Supply stop valve shall be McGuire \_\_\_\_\_ . Supply stop valve shall be certified or recognized by testing authority and bear manufacturer and testing mark.

### WARNING:

This product can expose you to chemicals including lead, which is known to the State of California to cause cancer, and birth defects or other reproductive harm. For more information go to [www.P65Warnings.ca.gov](http://www.P65Warnings.ca.gov).





# McGuire Manufacturing Co., Inc.

60 Grandview Court  
Cheshire, Connecticut 06410  
(203) 699-1801 Fax (203) 699-1813  
customerservice@mcguiremfg.com mcguiremfg.com

Part No.

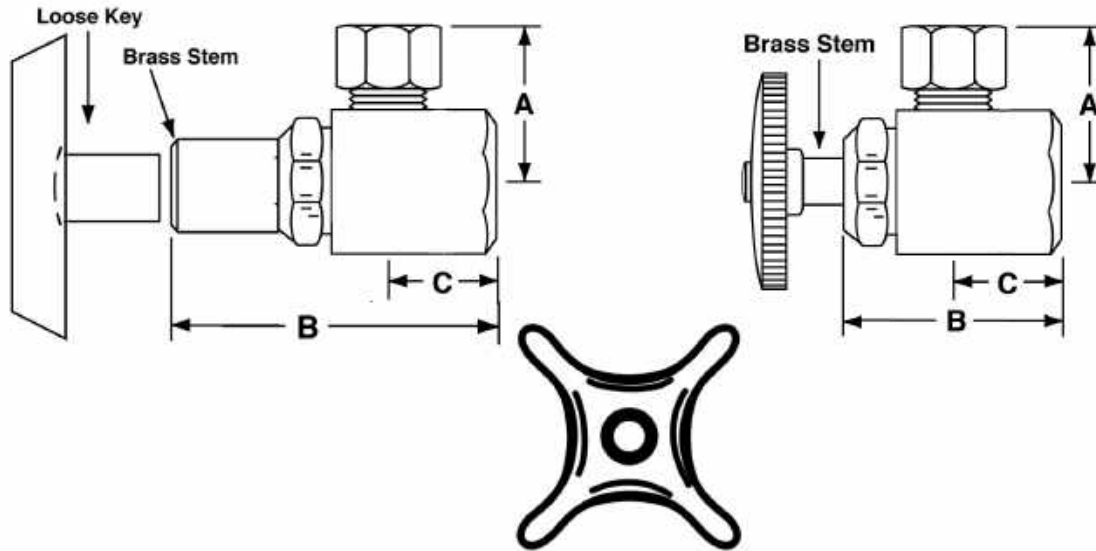
## LFHST04LK

Heavy Pattern Angle Supply Stop  
IPS x Compression

### PRODUCT SPECIFICATION

Job Name:

Submittal Number:



NO.	DESCRIPTION	ROUGHING MEASUREMENTS		
		A	B	C
LFHST04LK	1/2" IPS x 1/2" OD Loose Key	1-5/16"	2-1/4"	3/4"

- Rated Operating Pressure: 20-125 PSI
- Rated Operating Temperature: 40-140°F
- Note: 180°F max. during temporary high-temperature system flush

**X** designates Cross Handle

**LK** designates *Loose Key*

See options and accessories section for details on product variations.



### Specifications:

Chrome plated brass supply stop valve with full turn brass stem. Inlet shall be (3/8, 1/2) inch (IPS, sweat, compression). Outlet shall be (3/8, 1/2) inch (IPS, compression). Supply stop valve shall be McGuire \_\_\_\_\_ . Supply stop valve shall be certified or recognized by testing authority and bear manufacturer and testing mark.

#### WARNING:

This product can expose you to chemicals including lead, which is known to the State of California to cause cancer, and birth defects or other reproductive harm. For more information go to [www.P65Warnings.ca.gov](http://www.P65Warnings.ca.gov).



**McGuire Manufacturing Co., Inc.**  
 60 Grandview Court  
 Cheshire, Connecticut 06410  
 (203) 699-1801 Fax (203) 699-1813  
 customerservice@mcguiremfg.com mcguiremfg.com  
**PRODUCT SPECIFICATION**

**Part No.**

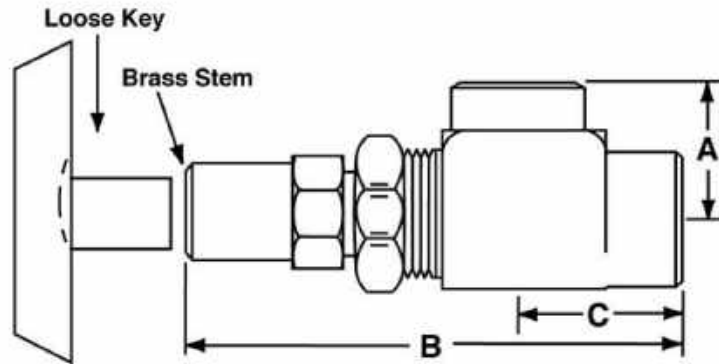
**LFHST05LKSB**

**Premier Angle Supply Stop**  
 I.P.S. x I.P.S.

**Job Name:**

**Submittal Number:**

## Pipe to Pipe with Stuffing Box



NO.	DESCRIPTION	ROUGHING MEASUREMENTS		
		A	B	C
LFHST05LKSB	3/8" I.P.S. x 3/8" I.P.S.	1"	3-1/16"	1"

- Rated Operating Pressure: 20-125 PSI
- Rated Operating Temperature: 40-140°F
- Note: 180°F max. during temporary high-temperature system flush

**LK** designates *Loose Key*

\* See options and accessories section for details on product variations.



### Specifications:

Chrome plated brass, heavy pattern supply stop valve with full turn brass stem. Inlet shall be (3/8, 1/2 inch) IPS. Outlet shall be (3/8, 1/2) inch IPS. Supply stop shall be McGuire \_\_\_\_\_ Supply stop shall be certified by recognized authority and bear manufacturer and testing mark.



#### WARNING:

This product can expose you to chemicals including lead, which is known to the State of California to cause cancer, and birth defects or other reproductive harm. For more information go to [www.P65Warnings.ca.gov](http://www.P65Warnings.ca.gov).



**McGuire Manufacturing Co., Inc.**  
 60 Grandview Court  
 Cheshire, Connecticut 06410  
 (203) 699-1801 Fax (203) 699-1813  
 customerservice@mcguiremfg.com mcguiremfg.com  
**PRODUCT SPECIFICATION**

**Part No.**

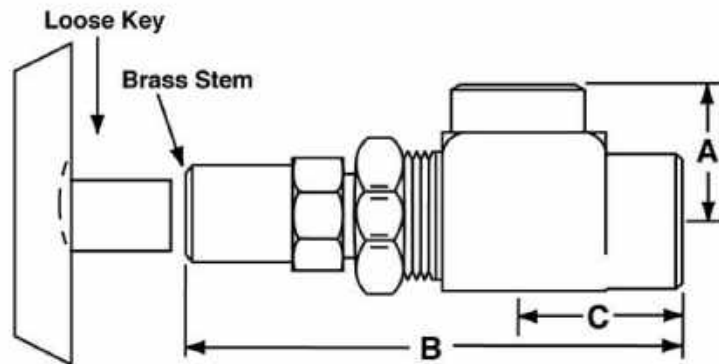
**LFHST06LKSB**

**Premier Angle Supply Stop**  
 I.P.S. x I.P.S.

**Job Name:**

**Submittal Number:**

## Pipe to Pipe with Stuffing Box



NO.	DESCRIPTION	ROUGHING MEASUREMENTS		
		A	B	C
LFHST06LKSB	1/2" I.P.S. x 1/2" I.P.S.	1"	3-1/16"	1-1/8"

- Rated Operating Pressure: 20-125 PSI
- Rated Operating Temperature: 40-140°F
- Note: 180°F max. during temporary high-temperature system flush

**LK** designates *Loose Key*

\* See options and accessories section for details on product variations.



### Specifications:

Chrome plated brass, heavy pattern supply stop valve with full turn brass stem. Inlet shall be (3/8, 1/2 inch) IPS. Outlet shall be (3/8, 1/2) inch IPS. Supply stop shall be McGuire \_\_\_\_\_ Supply stop shall be certified by recognized authority and bear manufacturer and testing mark.



#### WARNING:

This product can expose you to chemicals including lead, which is known to the State of California to cause cancer, and birth defects or other reproductive harm. For more information go to [www.P65Warnings.ca.gov](http://www.P65Warnings.ca.gov).



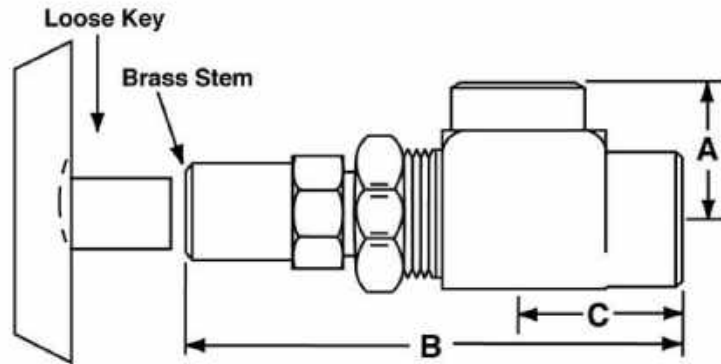
**McGuire Manufacturing Co., Inc.**  
 60 Grandview Court  
 Cheshire, Connecticut 06410  
 (203) 699-1801 Fax (203) 699-1813  
 customerservice@mcguiremfg.com mcguiremfg.com  
**PRODUCT SPECIFICATION**

**Part No.**  
**LFHST06SB**  
**Premier Angle Supply Stop**  
**I.P.S. x I.P.S.**

**Job Name:**

**Submittal Number:**

## Pipe to Pipe with Stuffing Box



NO.	DESCRIPTION	ROUGHING MEASUREMENTS		
		A	B	C
LFHST06SB		1"	3-1/16"	

- Rated Operating Pressure: 20-125 PSI
- Rated Operating Temperature: 40-140°F
- Note: 180°F max. during temporary high-temperature system flush

**LK** designates *Loose Key*

\* See options and accessories section for details on product variations.



### Specifications:

Chrome plated brass, heavy pattern supply stop valve with full turn brass stem. Inlet shall be (3/8, 1/2 inch) IPS. Outlet shall be (3/8, 1/2) inch IPS. Supply stop shall be McGuire \_\_\_\_\_ Supply stop shall be certified by recognized authority and bear manufacturer and testing mark.



**WARNING:**

This product can expose you to chemicals including lead, which is known to the State of California to cause cancer, and birth defects or other reproductive harm. For more information go to [www.P65Warnings.ca.gov](http://www.P65Warnings.ca.gov).



**McGuire Manufacturing Co., Inc.**  
 60 Grandview Court  
 Cheshire, Connecticut 06410  
 (203) 699-1801 Fax (203) 699-1813  
 customerservice@mcguiremfg.com mcguiremfg.com

**PRODUCT SPECIFICATION**

**Part No.**

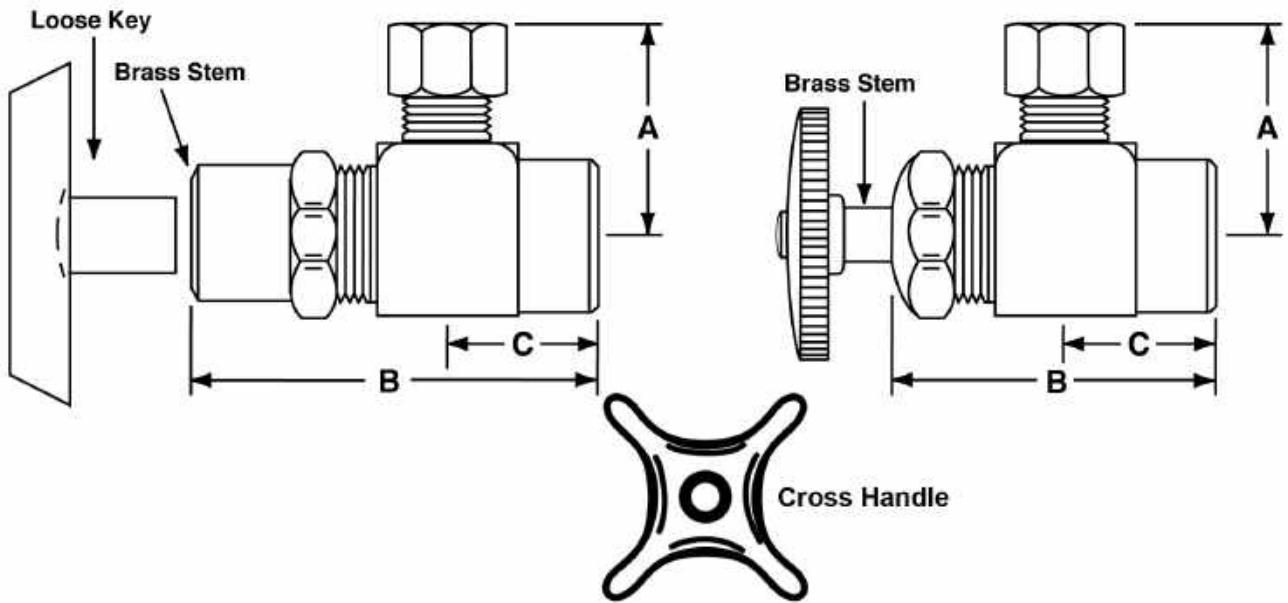
**LFHST07**

**Premier Angle Supply Stop  
 Copper Sweat x O.D.**

**Job Name:**

**Submittal Number:**

**Sweat to Compression**



NO.	DESCRIPTION	ROUGHING MEASUREMENTS		
		A	B	C
LFHST07	1/2" Copper Sweat x 3/8" O.D.	1-3/8"	2"	1"

- Rated Operating Pressure: 20-125 PSI
- Rated Operating Temperature: 40-140°F
- Note: 180°F max. during temporary high-temperature system flush

**X** designates Cross Handle

**LK** designates *Loose Key*

See options and accessories section for details on product variations.



**Specifications:**

Chrome plated brass, heavy pattern supply stop valve with full turn brass stem. Inlet shall be 1/2 inch sweat. Outlet shall be 3/8 inch compression. Supply stop shall be McGuire \_\_\_\_\_ . Supply stop shall be recognized by authority and bear manufacturer and testing mark.



**WARNING:**

This product can expose you to chemicals including lead, which is known to the State of California to cause cancer, and birth defects or other reproductive harm. For more information go to [www.P65Warnings.ca.gov](http://www.P65Warnings.ca.gov).



**McGuire Manufacturing Co., Inc.**  
 60 Grandview Court  
 Cheshire, Connecticut 06410  
 (203) 699-1801 Fax (203) 699-1813  
 customerservice@mcguiremfg.com mcguiremfg.com

**PRODUCT SPECIFICATION**

**Part No.**

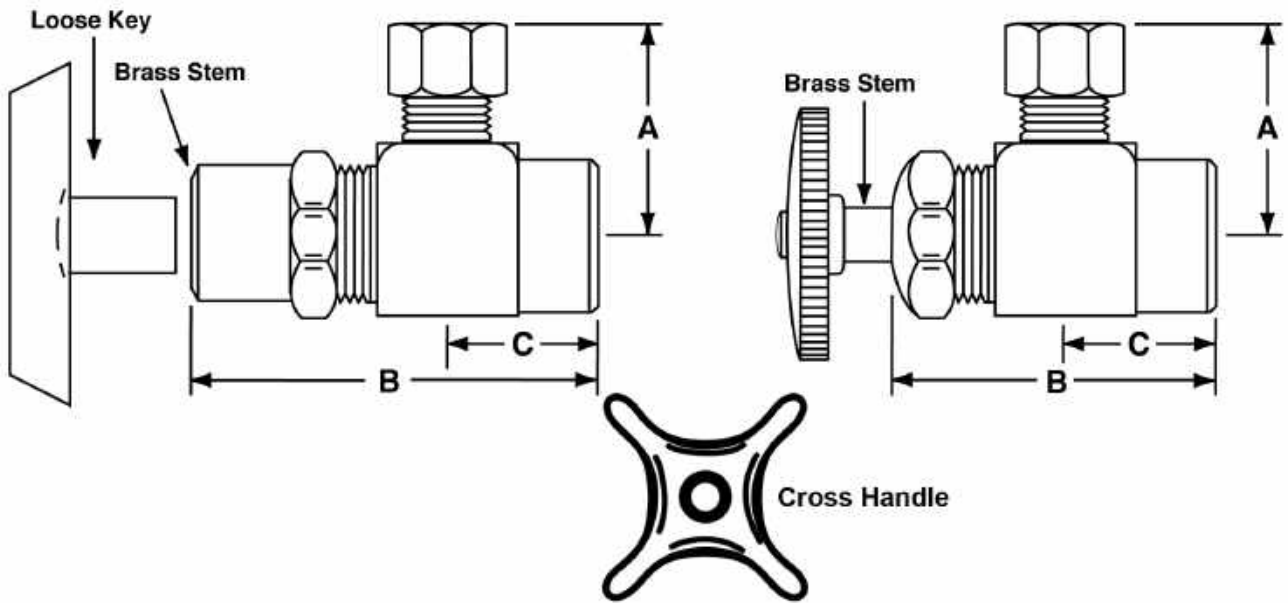
**LFHST07LK**

**Premier Angle Supply Stop  
 Copper Sweat x O.D.**

**Job Name:**

**Submittal Number:**

**Sweat to Compression**



NO.	DESCRIPTION	ROUGHING MEASUREMENTS		
		A	B	C
LFHST07LK	1/2" Copper Sweat x 3/8" O.D.	1-3/8"	2-7/16"	1"

- Rated Operating Pressure: 20-125 PSI
- Rated Operating Temperature: 40-140°F
- Note: 180°F max. during temporary high-temperature system flush

**X** designates Cross Handle

**LK** designates *Loose Key*

See options and accessories section for details on product variations.



**Specifications:**

Chrome plated brass, heavy pattern supply stop valve with full turn brass stem. Inlet shall be 1/2 inch sweat. Outlet shall be 3/8 inch compression. Supply stop shall be McGuire \_\_\_\_\_ . Supply stop shall be recognized by authority and bear manufacturer and testing mark.



**WARNING:**

This product can expose you to chemicals including lead, which is known to the State of California to cause cancer, and birth defects or other reproductive harm. For more information go to [www.P65Warnings.ca.gov](http://www.P65Warnings.ca.gov).



# McGuire Manufacturing Co., Inc.

60 Grandview Court  
Cheshire, Connecticut 06410  
(203) 699-1801 Fax (203) 699-1813  
customerservice@mcguiremfg.com mcguiremfg.com

## PRODUCT SPECIFICATION

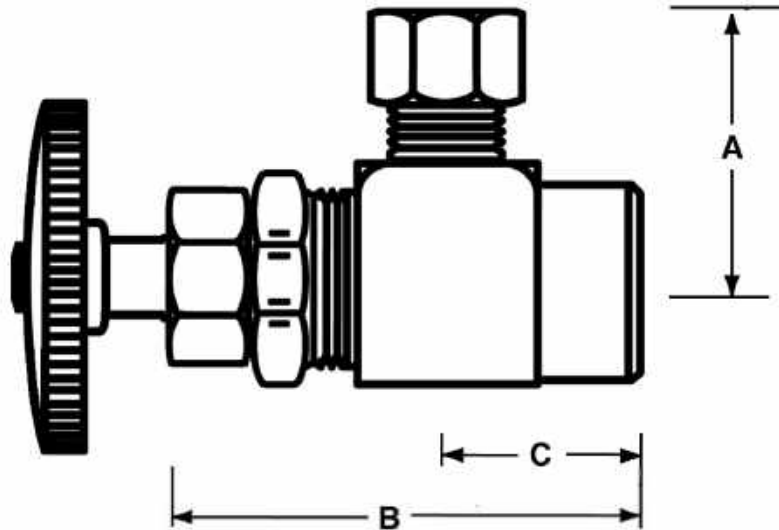
### Part No.

# LFHST07SB

### Premier Angle Supply Stop Copper Sweat x O.D.

**Job Name:**

**Submittal Number:**



NO.	DESCRIPTION	ROUGHING MEASUREMENTS		
		A	B	C
LFHST07SB	1/2" Copper Sweat x 3/8" O.D.	1-3/8"	2-1/4"	1"

- Rated Operating Pressure: 20-125 PSI
- Rated Operating Temperature: 40-140°F
- Note: 180°F max. during temporary high-temperature system flush



## Specifications:

Chrome plated brass, heavy pattern supply stop valve with full turn brass stem with stuffing box. Inlet shall be 1/2 inch sweat. Outlet shall be 3/8 inch compression. Supply stop shall be McGuire \_\_\_\_\_ Supply stop shall be recognized by authority and bear manufacturer and testing mark.



This product can expose you to chemicals including lead, which is known to the State of California to cause cancer, and birth defects or other reproductive harm. For more information go to [www.P65Warnings.ca.gov](http://www.P65Warnings.ca.gov).



**McGuire Manufacturing Co., Inc.**  
 60 Grandview Court  
 Cheshire, Connecticut 06410  
 (203) 699-1801 Fax (203) 699-1813  
 customerservice@mcguiremfg.com mcguiremfg.com

**PRODUCT SPECIFICATION**

**Part No.**

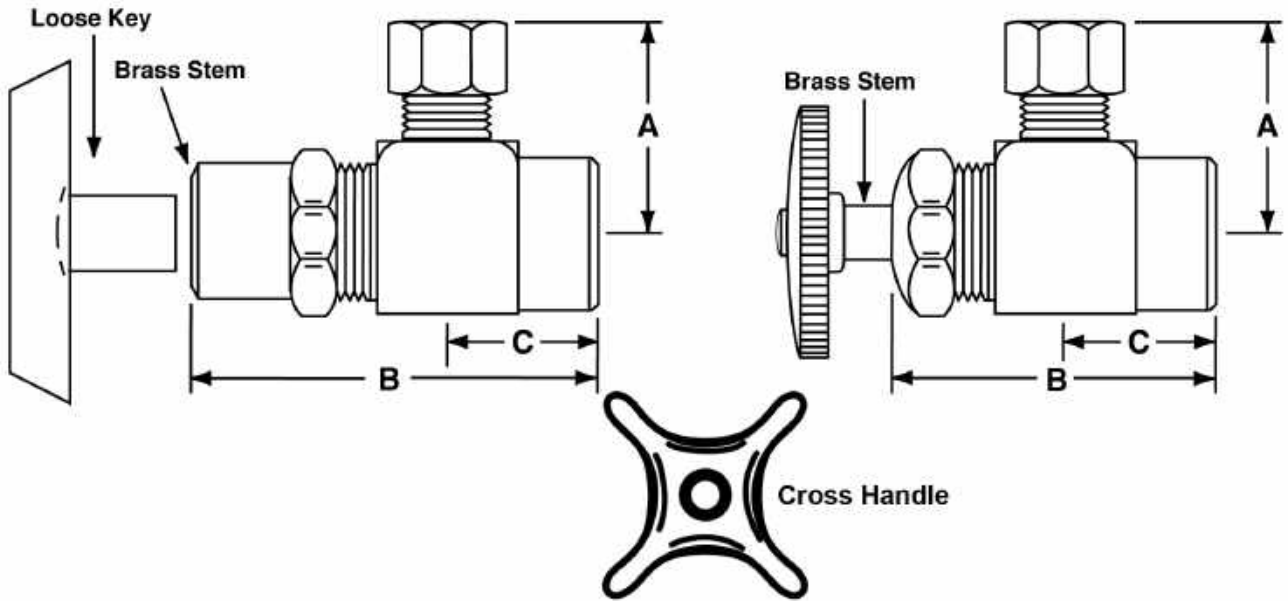
**LFHST07X**

**Premier Angle Supply Stop  
 Copper Sweat x O.D.**

**Job Name:**

**Submittal Number:**

**Sweat to Compression**



NO.	DESCRIPTION	ROUGHING MEASUREMENTS		
		A	B	C
LFHST07X	1/2" Copper Sweat x 3/8" O.D.	1-3/8"	2-7/16"	1"

- Rated Operating Pressure: 20-125 PSI
- Rated Operating Temperature: 40-140°F
- Note: 180°F max. during temporary high-temperature system flush

**X** designates Cross Handle

**LK** designates *Loose Key*

See options and accessories section for details on product variations.



**Specifications:**

Chrome plated brass, heavy pattern supply stop valve with full turn brass stem. Inlet shall be 1/2 inch sweat. Outlet shall be 3/8 inch compression. Supply stop shall be McGuire \_\_\_\_\_ . Supply stop shall be recognized by authority and bear manufacturer and testing mark.



**WARNING:**

This product can expose you to chemicals including lead, which is known to the State of California to cause cancer, and birth defects or other reproductive harm. For more information go to [www.P65Warnings.ca.gov](http://www.P65Warnings.ca.gov).





**McGuire Manufacturing Co., Inc.**

60 Grandview Court  
Cheshire, Connecticut 06410  
(203) 699-1801 Fax (203) 699-1813  
customerservice@mcguiremfg.com mcguiremfg.com

**Part No.**

**LFHST11**

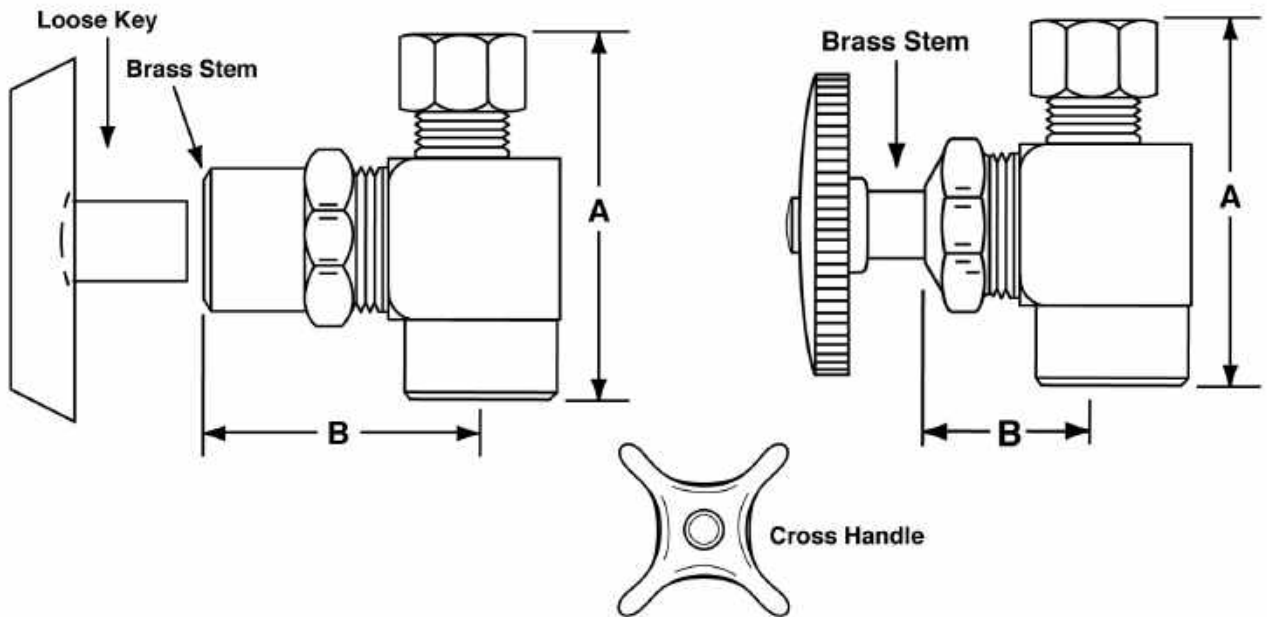
**Premier Straight Supply Stop  
I.P.S. x O.D.**

**PRODUCT SPECIFICATION**

**Job Name:**

**Submittal Number:**

# Pipe to Compression



NO.	DESCRIPTION	ROUGHING MEASUREMENTS	
		A	B
LFHST11	3/8" I.P.S. x 3/8" O.D.	2-1/8"	1-1/2"

- Rated Operating Pressure: 20-125 PSI
- Rated Operating Temperature: 40-140°F
- Note: 180°F max. during temporary high-temperature system flush

**LK** designates *Loose Key*

See options and accessories section for details on product variations.



## Specifications:

Chrome plated brass, heavy supply stop valve with full turn brass stem. Inlet shall be (3/8, 1/2) inch (IPS, sweat, compression). Outlet shall be (3/8, 1/2) inch (IPS, compression). Supply stop shall be McGuire \_\_\_\_\_. Supply stop valve shall be certified by recognized testing authority and bear manufacturer and testing mark. Stop to be certified to 200 psi line pressure.



### WARNING:

This product can expose you to chemicals including lead, which is known to the State of California to cause cancer, and birth defects or other reproductive harm. For more information go to [www.P65Warnings.ca.gov](http://www.P65Warnings.ca.gov).



**McGuire Manufacturing Co., Inc.**

60 Grandview Court  
Cheshire, Connecticut 06410  
(203) 699-1801 Fax (203) 699-1813  
customerservice@mcguiremfg.com mcguiremfg.com

**Part No.**

**LFHST11X**

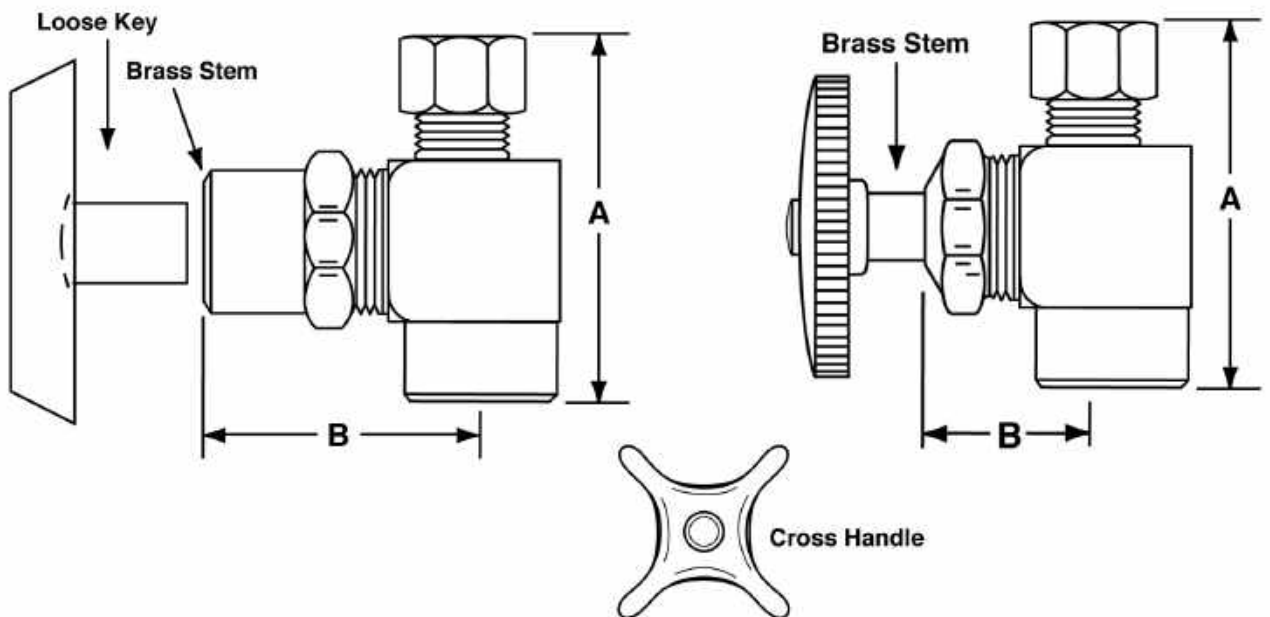
**Premier Straight Supply Stop  
I.P.S. x O.D.**

**PRODUCT SPECIFICATION**

**Job Name:**

**Submittal Number:**

## Pipe to Compression



NO.	DESCRIPTION	ROUGHING MEASUREMENTS	
		A	B
LFHST11X	3/8" I.P.S. x 3/8" O.D.	2-1/8"	1-1/2"

- Rated Operating Pressure: 20-125 PSI
- Rated Operating Temperature: 40-140°F
- Note: 180°F max. during temporary high-temperature system flush

**LK** designates *Loose Key*

See options and accessories section for details on product variations.



### Specifications:

Chrome plated brass, heavy supply stop valve with full turn brass stem. Inlet shall be (3/8, 1/2) inch (IPS, sweat, compression). Outlet shall be (3/8, 1/2) inch (IPS, compression). Supply stop shall be McGuire \_\_\_\_\_ . Supply stop valve shall be certified by recognized testing authority and bear manufacturer and testing mark. Stop to be certified to 200 psi line pressure.

#### **WARNING:**

This product can expose you to chemicals including lead, which is known to the State of California to cause cancer, and birth defects or other reproductive harm. For more information go to [www.P65Warnings.ca.gov](http://www.P65Warnings.ca.gov).

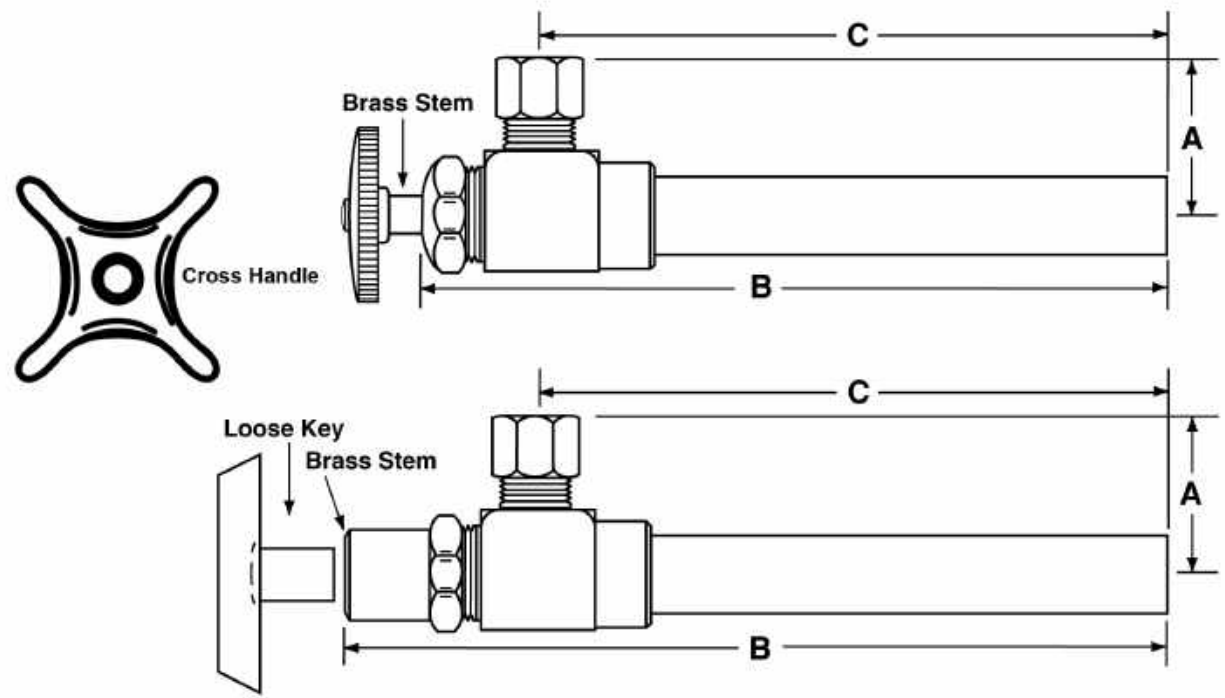


**McGuire Manufacturing Co., Inc.**  
 60 Grandview Court  
 Cheshire, Connecticut 06410  
 (203) 699-1801 Fax (203) 699-1813  
 customerservice@mcguiremfg.com mcguiremfg.com  
**PRODUCT SPECIFICATION**

**Part No.**  
**LFHST082**  
**Premiere Angle Supply Stop**  
**Copper Sweat x O.D.**

**Job Name:** \_\_\_\_\_ **Submittal Number:** \_\_\_\_\_

# Sweat with 5" Extension to Compression



NO.	DESCRIPTION	ROUGHING MEASUREMENTS		
		A	B	C
LFHST082	1/2" Copper Sweat x 3/8" O.D.	1-3/8"	6-7/8"	5-3/4"

- Rated Operating Pressure: 20-125 PSI
- Rated Operating Temperature: 40-140°F
- Note: 180°F max. during temporary high-temperature system flush



\* See options and accessories section for details on product variations.

## Specifications:

Chrome plated brass, heavy pattern supply stop valve with full turn brass stem. Inlet shall be 1/2 inch sweat. Outlet shall be 3/8 inch compression. Supply stop shall be McGuire \_\_\_\_\_ . Supply stop shall be certified by recognized authority and bear manufacturer and testing mark.

**⚠ WARNING:**

This product can expose you to chemicals including lead, which is known to the State of California to cause cancer, and birth defects or other reproductive harm. For more information go to [www.P65Warnings.ca.gov](http://www.P65Warnings.ca.gov).

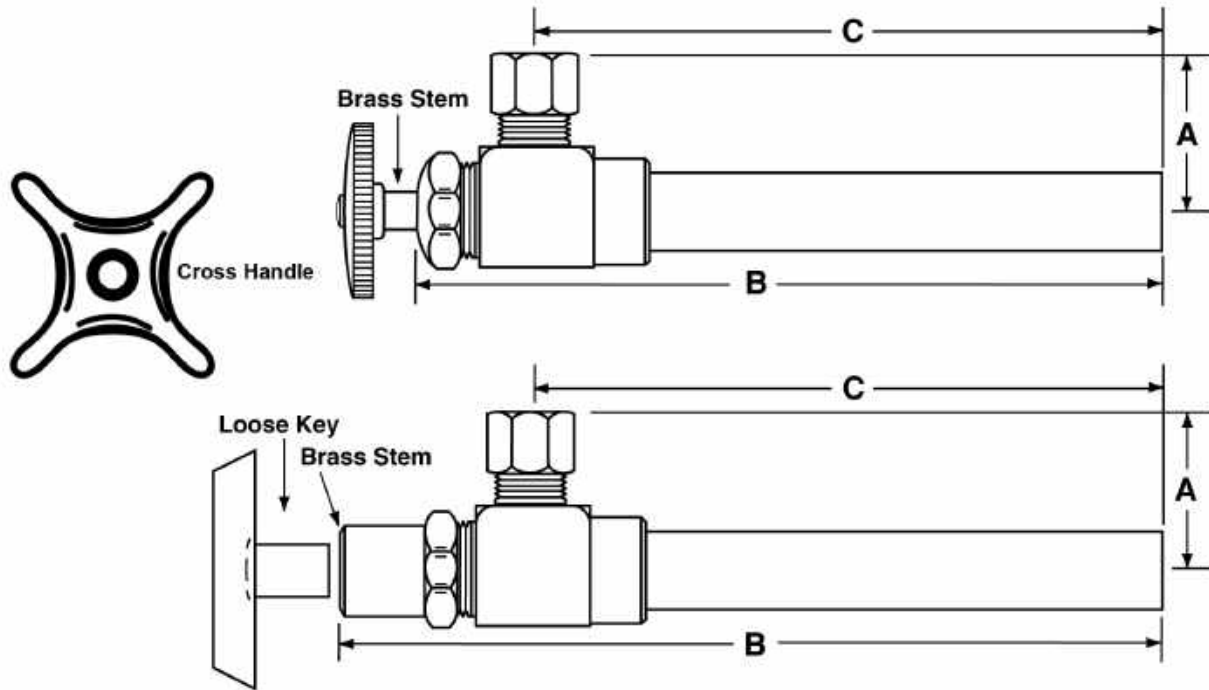


**McGuire Manufacturing Co., Inc.**  
 60 Grandview Court  
 Cheshire, Connecticut 06410  
 (203) 699-1801 Fax (203) 699-1813  
 customerservice@mcguiremfg.com mcguiremfg.com  
**PRODUCT SPECIFICATION**

**Part No.**  
**LFHST082LK**  
**Premiere Angle Supply Stop**  
**Copper Sweat x O.D.**

**Job Name:** \_\_\_\_\_ **Submittal Number:** \_\_\_\_\_

# Sweat with 5" Extension to Compression



NO.	DESCRIPTION	ROUGHING MEASUREMENTS		
		A	B	C
LFHST082LK	1/2" Copper Sweat x 3/8" O.D.	1-3/8"	7-7/16"	5-3/4"

- Rated Operating Pressure: 20-125 PSI
- Rated Operating Temperature: 40-140°F
- Note: 180°F max. during temporary high-temperature system flush

**LK** designates *Loose Key*

\* See options and accessories section for details on product variations.



## Specifications:

Chrome plated brass, heavy pattern supply stop valve with full turn brass stem. Inlet shall be 1/2 inch sweat. Outlet shall be 3/8 inch compression. Supply stop shall be McGuire \_\_\_\_\_ . Supply stop shall be certified by recognized authority and bear manufacturer and testing mark.

**! WARNING:**

This product can expose you to chemicals including lead, which is known to the State of California to cause cancer, and birth defects or other reproductive harm. For more information go to [www.P65Warnings.ca.gov](http://www.P65Warnings.ca.gov).

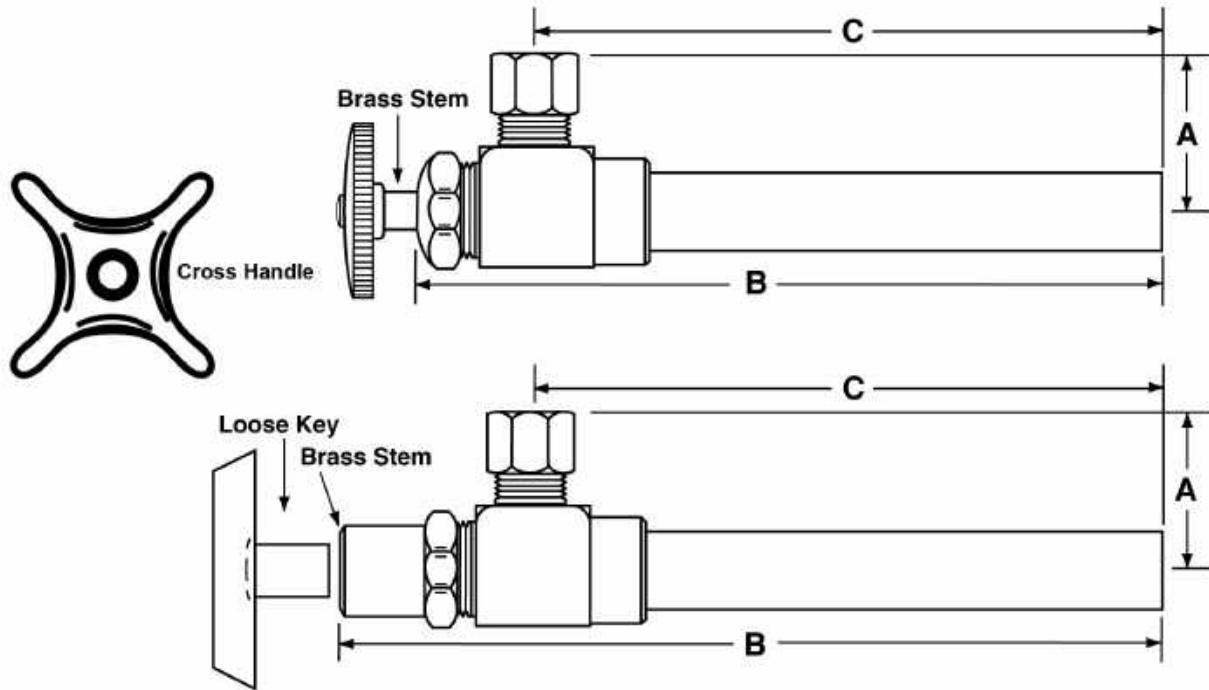


**McGuire Manufacturing Co., Inc.**  
 60 Grandview Court  
 Cheshire, Connecticut 06410  
 (203) 699-1801 Fax (203) 699-1813  
 customerservice@mcguiremfg.com mcguiremfg.com  
**PRODUCT SPECIFICATION**

**Part No.**  
**LFHST082X**  
**Premiere Angle Supply Stop**  
**Copper Sweat x O.D.**

**Job Name:** \_\_\_\_\_ **Submittal Number:** \_\_\_\_\_

# Sweat with 5" Extension to Compression



NO.	DESCRIPTION	ROUGHING MEASUREMENTS		
		A	B	C
LFHST082X	1/2" Copper Sweat x 3/8" O.D.	1-3/8"	6-7/8"	5-3/4"

- Rated Operating Pressure: 20-125 PSI
- Rated Operating Temperature: 40-140°F
- Note: 180°F max. during temporary high-temperature system flush

**X** designates Cross Handle  
**LK** designates *Loose Key*

\* See options and accessories section for details on product variations.



## Specifications:

Chrome plated brass, heavy pattern supply stop valve with full turn brass stem. Inlet shall be 1/2 inch sweat. Outlet shall be 3/8 inch compression. Supply stop shall be McGuire \_\_\_\_\_ . Supply stop shall be certified by recognized authority and bear manufacturer and testing mark.

**WARNING:**

This product can expose you to chemicals including lead, which is known to the State of California to cause cancer, and birth defects or other reproductive harm. For more information go to [www.P65Warnings.ca.gov](http://www.P65Warnings.ca.gov).

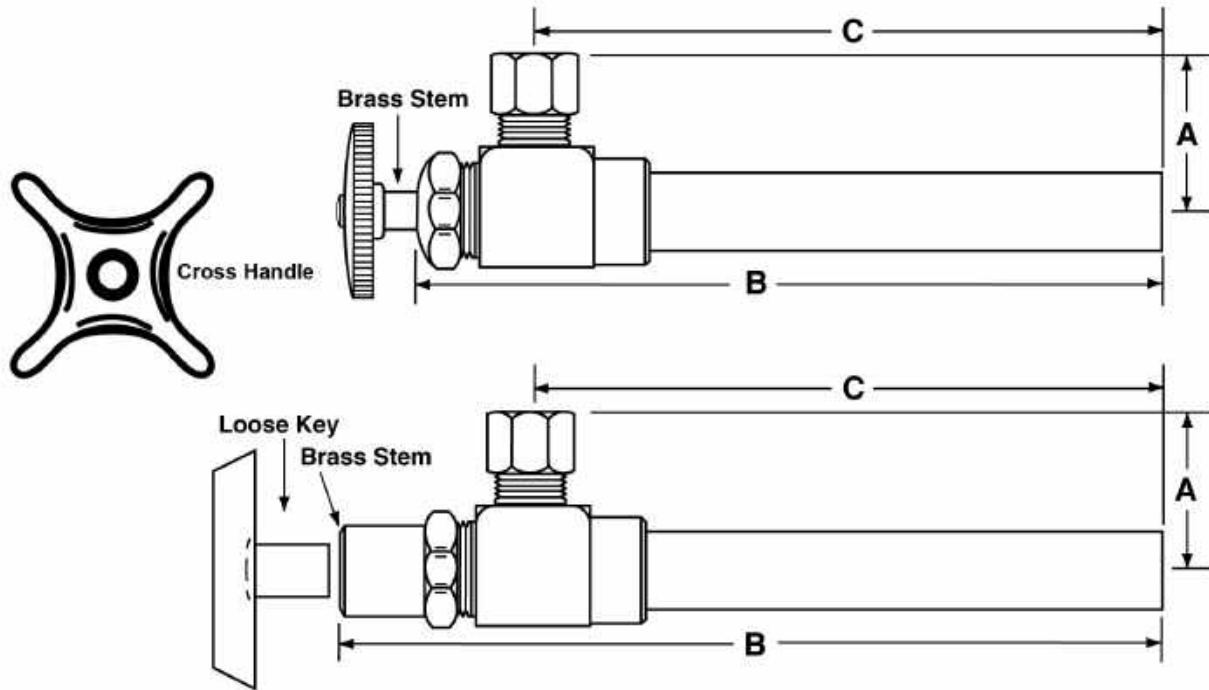


**McGuire Manufacturing Co., Inc.**  
 60 Grandview Court  
 Cheshire, Connecticut 06410  
 (203) 699-1801 Fax (203) 699-1813  
 customerservice@mcguiremfg.com mcguiremfg.com  
**PRODUCT SPECIFICATION**

**Part No.**  
**LFHST084**  
**Premiere Angle Supply Stop**  
**Copper Sweat x O.D.**

**Job Name:** \_\_\_\_\_ **Submittal Number:** \_\_\_\_\_

# Sweat with 5" Extension to Compression



NO.	DESCRIPTION	ROUGHING MEASUREMENTS		
		A	B	C
LFHST084	1/2" Copper Sweat x 3/8" O.D.	1-3/8"	6-7/8"	5-3/4"

- Rated Operating Pressure: 20-125 PSI
- Rated Operating Temperature: 40-140°F
- Note: 180°F max. during temporary high-temperature system flush

**X** designates Cross Handle  
**LK** designates *Loose Key*

\* See options and accessories section for details on product variations.



## Specifications:

Chrome plated brass, heavy pattern supply stop valve with full turn brass stem. Inlet shall be 1/2 inch sweat. Outlet shall be 3/8 inch compression. Supply stop shall be McGuire \_\_\_\_\_ . Supply stop shall be certified by recognized authority and bear manufacturer and testing mark.



### WARNING:

This product can expose you to chemicals including lead, which is known to the State of California to cause cancer, and birth defects or other reproductive harm. For more information go to [www.P65Warnings.ca.gov](http://www.P65Warnings.ca.gov).

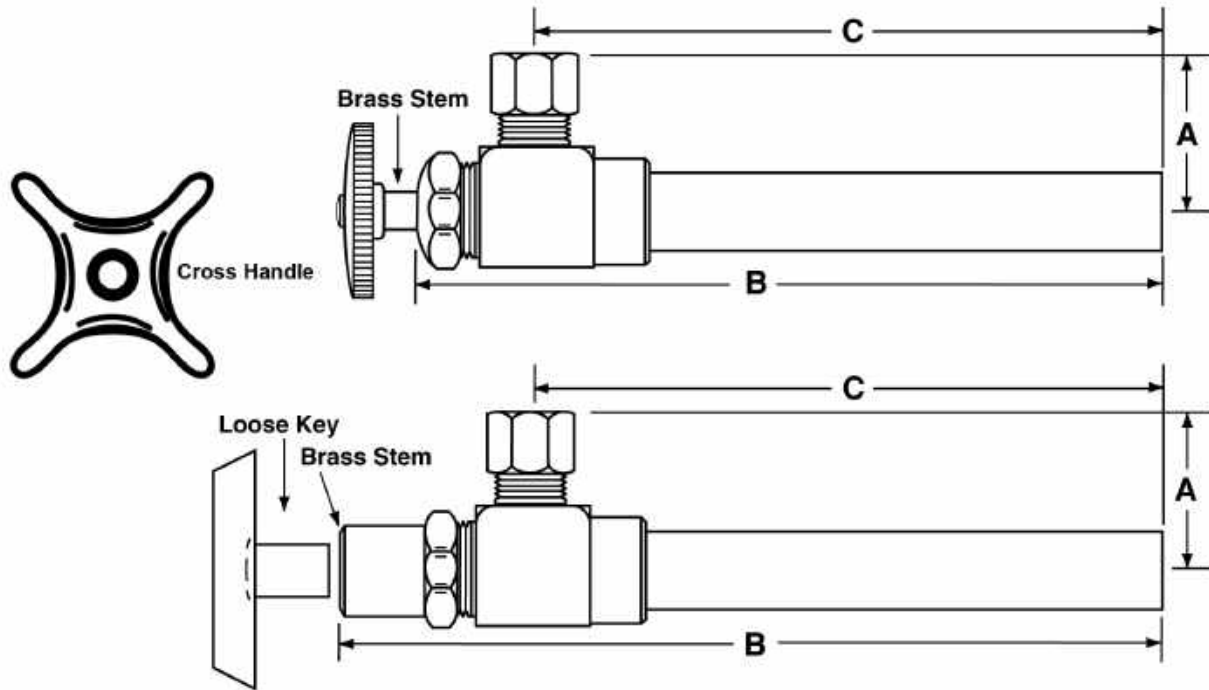


**McGuire Manufacturing Co., Inc.**  
 60 Grandview Court  
 Cheshire, Connecticut 06410  
 (203) 699-1801 Fax (203) 699-1813  
 customerservice@mcguiremfg.com mcguiremfg.com  
**PRODUCT SPECIFICATION**

**Part No.**  
**LFHST084LK**  
**Premiere Angle Supply Stop**  
**Copper Sweat x O.D.**

**Job Name:** \_\_\_\_\_ **Submittal Number:** \_\_\_\_\_

# Sweat with 5" Extension to Compression



NO.	DESCRIPTION	ROUGHING MEASUREMENTS		
		A	B	C
LFHST084LK	1/2" Copper Sweat x 3/8" O.D.	1-3/8"	7-7/16"	5-3/4"

- Rated Operating Pressure: 20-125 PSI
- Rated Operating Temperature: 40-140°F
- Note: 180°F max. during temporary high-temperature system flush

**X** designates Cross Handle  
**LK** designates *Loose Key*

\* See options and accessories section for details on product variations.



## Specifications:

Chrome plated brass, heavy pattern supply stop valve with full turn brass stem. Inlet shall be 1/2 inch sweat. Outlet shall be 3/8 inch compression. Supply stop shall be McGuire \_\_\_\_\_ . Supply stop shall be certified by recognized authority and bear manufacturer and testing mark.

**! WARNING:**

This product can expose you to chemicals including lead, which is known to the State of California to cause cancer, and birth defects or other reproductive harm. For more information go to [www.P65Warnings.ca.gov](http://www.P65Warnings.ca.gov).

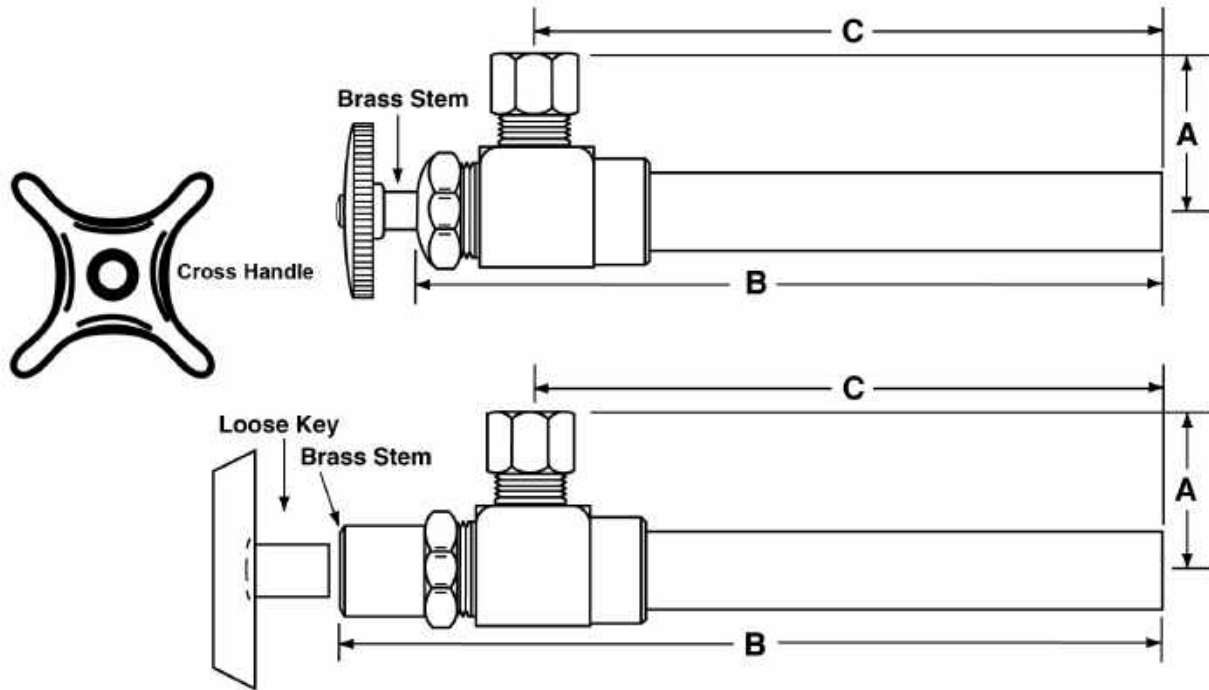


**McGuire Manufacturing Co., Inc.**  
 60 Grandview Court  
 Cheshire, Connecticut 06410  
 (203) 699-1801 Fax (203) 699-1813  
 customerservice@mcguiremfg.com mcguiremfg.com  
**PRODUCT SPECIFICATION**

**Part No.**  
**LFHST084X**  
**Premiere Angle Supply Stop**  
**Copper Sweat x O.D.**

**Job Name:** \_\_\_\_\_ **Submittal Number:** \_\_\_\_\_

# Sweat with 5" Extension to Compression



NO.	DESCRIPTION	ROUGHING MEASUREMENTS		
		A	B	C
LFHST084X	1/2" Copper Sweat x 3/8" O.D.	1-3/8"	6-7/8"	5-3/4"

- Rated Operating Pressure: 20-125 PSI
- Rated Operating Temperature: 40-140°F
- Note: 180°F max. during temporary high-temperature system flush

**X** designates Cross Handle  
**LK** designates *Loose Key*

\* See options and accessories section for details on product variations.



## Specifications:

Chrome plated brass, heavy pattern supply stop valve with full turn brass stem. Inlet shall be 1/2 inch sweat. Outlet shall be 3/8 inch compression. Supply stop shall be McGuire \_\_\_\_\_ . Supply stop shall be certified by recognized authority and bear manufacturer and testing mark.

**! WARNING:**

This product can expose you to chemicals including lead, which is known to the State of California to cause cancer, and birth defects or other reproductive harm. For more information go to [www.P65Warnings.ca.gov](http://www.P65Warnings.ca.gov).





**McGuire Manufacturing Co., Inc.**

60 Grandview Court

Cheshire, Connecticut 06410

(203) 699-1801 Fax (203) 699-1813

customerservice@mcguiremfg.com mcguiremfg.com

**PRODUCT SPECIFICATION**

**Part No.**

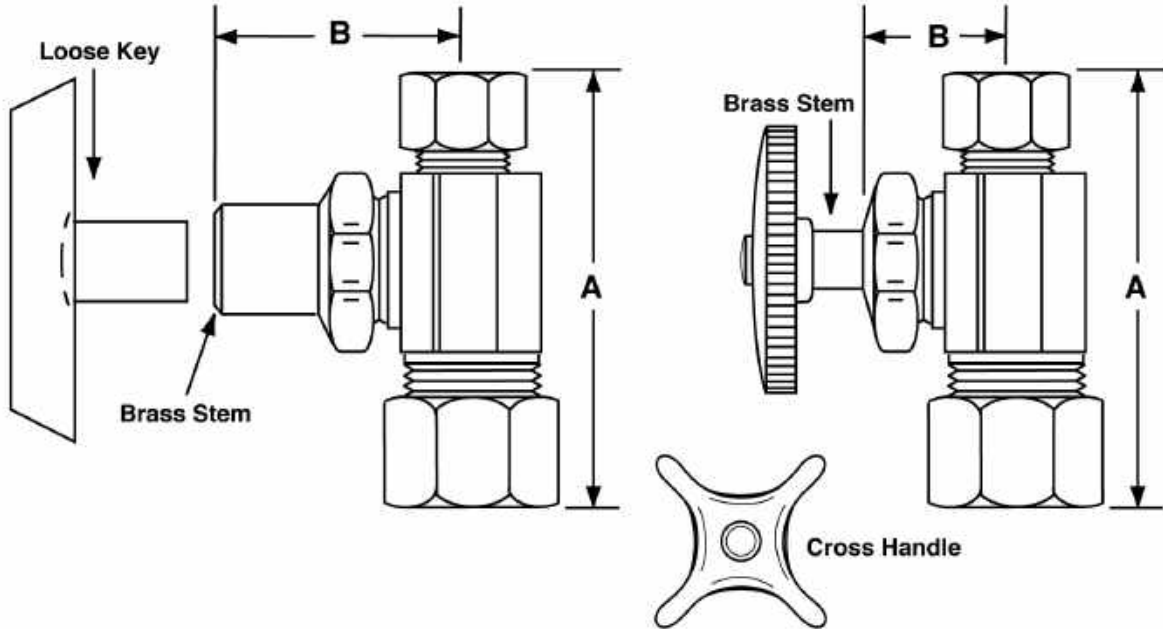
**LFS17LK**

**Straight Supply Stop  
Nominal x O.D.**

**Job Name:**

**Submittal Number:**

# Compression to Compression



NO.	DESCRIPTION	ROUGHING MEASUREMENTS	
		A	B
LFST17LK	1/2" Nominal x 3/8" O.D.	2-1/4"	1-5/8"

- Rated Operating Pressure: 20-125 PSI
- Rated Operating Temperature: 40-140°F
- Note: 180°F max. during temporary high-temperature system flush

**LK** designates *Loose Key*

**X** designates *Heavy Brass Cross Handle*

See options and accessories section for details on product variations.



## Specifications:

Chrome plated brass, supply stop valve with full turn brass stem. Inlet shall be (3/8, 1/2) inch (IPS, sweat, compression). Outlet shall be (3/8, 1/2) inch (IPS, compression). Supply stop valve shall be McGuire \_\_\_\_\_ . Supply stop valve shall be certified by recognized testing authority and bear manufacturer and testing mark.



### WARNING:

This product can expose you to chemicals including lead, which is known to the State of California to cause cancer, and birth defects or other reproductive harm. For more information go to [www.P65Warnings.ca.gov](http://www.P65Warnings.ca.gov).



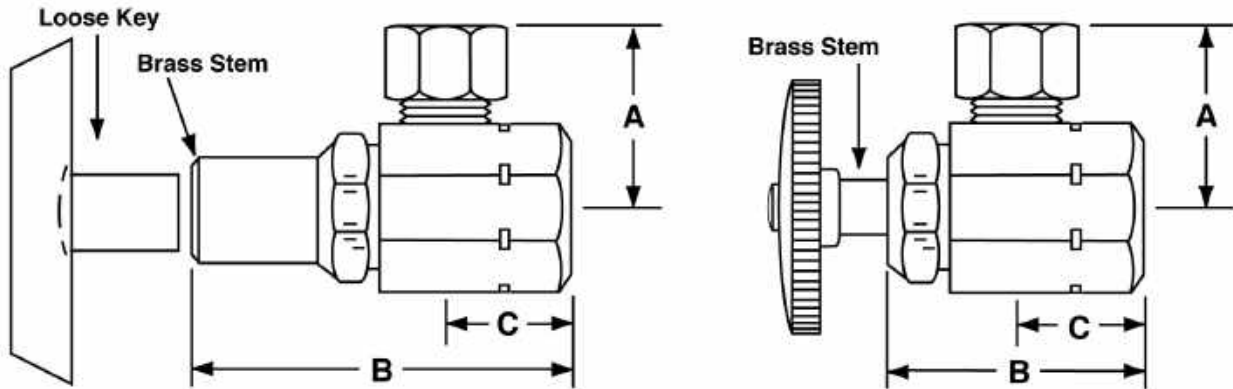
**McGuire Manufacturing Co., Inc.**  
 60 Grandview Court  
 Cheshire, Connecticut 06410  
 (203) 699-1801 Fax (203) 699-1813  
 customerservice@mcguiremfg.com mcguiremfg.com  
**PRODUCT SPECIFICATION**

**Part No.**  
**LFST01**  
**Angle Supply Stops**

**Job Name:** \_\_\_\_\_

**Submittal Number:** \_\_\_\_\_

## Pipe To Compression



NO.	DESCRIPTION	ROUGHING MEASUREMENTS		
		A	B	C
LFST01	3/8" I.P.S. x 3/8" O.D.	1"	1-1/2"	3/4"

- Rated Operating Pressure: 20-125 PSI
- Rated Operating Temperature: 40-140°F
- Note: 180°F max. during temporary high-temperature system flush



\* See options and accessories section for details on product variations.

### Specifications:

Lead free chrome plated brass, supply stop valve with full turn brass stem. Inlet shall be 3/8 inch IPS. Outlet shall be 3/8 inch compression. Supply stop shall be McGuire \_\_\_\_\_.  
 Supply stop shall be certified by recognized authority and bear manufacturer and testing mark.



**WARNING:**

This product can expose you to chemicals including lead, which is known to the State of California to cause cancer, and birth defects or other reproductive harm. For more information go to [www.P65Warnings.ca.gov](http://www.P65Warnings.ca.gov).



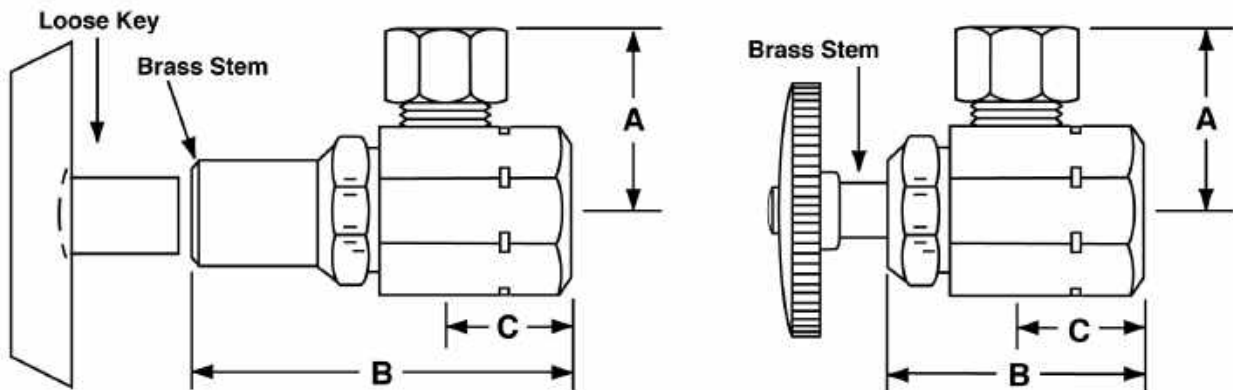
**McGuire Manufacturing Co., Inc.**  
 60 Grandview Court  
 Cheshire, Connecticut 06410  
 (203) 699-1801 Fax (203) 699-1813  
 customerservice@mcguiremfg.com mcguiremfg.com  
**PRODUCT SPECIFICATION**

**Part No.**  
**LFST01LK**  
**Angle Supply Stops**

**Job Name:**

**Submittal Number:**

## Pipe To Compression



NO.	DESCRIPTION	ROUGHING MEASUREMENTS		
		A	B	C
LFST01LK	3/8" I.P.S. x 3/8" O.D.	1"	2-1/4"	3/4"

- Rated Operating Pressure: 20-125 PSI
- Rated Operating Temperature: 40-140°F
- Note: 180°F max. during temporary high-temperature system flush

**LK** designates *Loose Key*

\* See options and accessories section for details on product variations.



## Specifications:

Lead free chrome plated brass, supply stop valve with full turn brass stem. Inlet shall be 3/8 inch IPS. Outlet shall be 3/8 inch compression. Supply stop shall be McGuire \_\_\_\_\_.  
 Supply stop shall be certified by recognized authority and bear manufacturer and testing mark.



### WARNING:

This product can expose you to chemicals including lead, which is known to the State of California to cause cancer, and birth defects or other reproductive harm. For more information go to [www.P65Warnings.ca.gov](http://www.P65Warnings.ca.gov).



# McGuire Manufacturing Co., Inc.

60 Grandview Court  
Cheshire, Connecticut 06410  
(203) 699-1801 Fax (203) 699-1813  
customerservice@mcguiremfg.com mcguiremfg.com

## PRODUCT SPECIFICATION

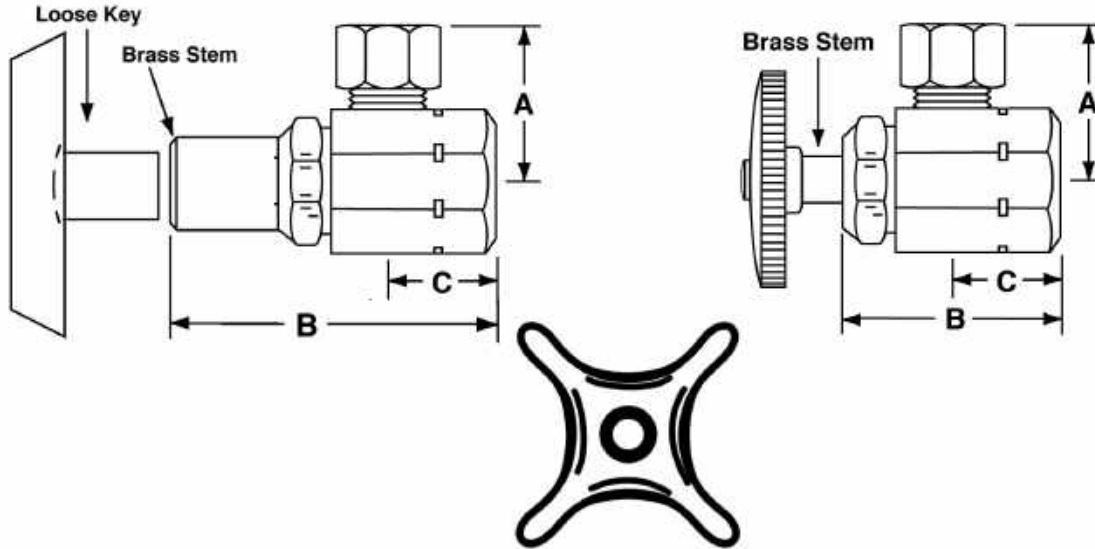
Part No.

# LFST02

Angle Supply Stop  
IPS x Compression

Job Name:

Submittal Number:



NO.	DESCRIPTION	ROUGHING MEASUREMENTS		
		A	B	C
LFST02	1/2" IPS x 3/8" OD, Wheel Handle	1-3/16"	1-1/2"	3/4"

- Rated Operating Pressure: 20-125 PSI
- Rated Operating Temperature: 40-140°F
- Note: 180°F max. during temporary high-temperature system flush

**X** designates Cross Handle

**LK** designates *Loose Key*

See options and accessories section for details on product variations.



## Specifications:

Chrome plated brass supply stop valve with full turn brass stem. Inlet shall be (3/8, 1/2) inch (IPS, sweat, compression). Outlet shall be (3/8, 1/2) inch (IPS, compression). Supply stop valve shall be McGuire \_\_\_\_\_. Supply stop valve shall be certified or recognized by testing authority and bear manufacturer and testing mark.

### WARNING:

This product can expose you to chemicals including lead, which is known to the State of California to cause cancer, and birth defects or other reproductive harm. For more information go to [www.P65Warnings.ca.gov](http://www.P65Warnings.ca.gov).



# McGuire Manufacturing Co., Inc.

60 Grandview Court  
Cheshire, Connecticut 06410  
(203) 699-1801 Fax (203) 699-1813  
customerservice@mcguiremfg.com mcguiremfg.com

**Part No.**

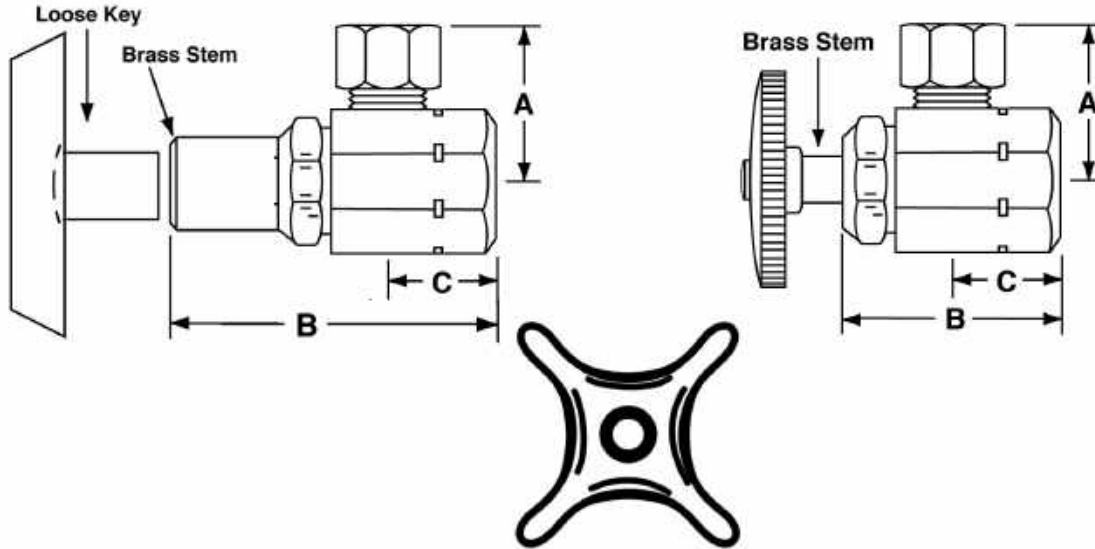
**LFST02LK**

**Angle Supply Stop  
IPS x Compression**

## PRODUCT SPECIFICATION

**Job Name:**

**Submittal Number:**



NO.	DESCRIPTION	ROUGHING MEASUREMENTS		
		A	B	C
LFST02LK	1/2" IPS x 3/8" OD, Loose Key	1-3/16"	2-1/4"	3/4"

- Rated Operating Pressure: 20-125 PSI
- Rated Operating Temperature: 40-140°F
- Note: 180°F max. during temporary high-temperature system flush

**X** designates Cross Handle

**LK** designates *Loose Key*

See options and accessories section for details on product variations.



## Specifications:

Chrome plated brass supply stop valve with full turn brass stem. Inlet shall be (3/8, 1/2) inch (IPS, sweat, compression). Outlet shall be (3/8, 1/2) inch (IPS, compression). Supply stop valve shall be McGuire \_\_\_\_\_ . Supply stop valve shall be certified or recognized by testing authority and bear manufacturer and testing mark.

### **WARNING:**

This product can expose you to chemicals including lead, which is known to the State of California to cause cancer, and birth defects or other reproductive harm. For more information go to [www.P65Warnings.ca.gov](http://www.P65Warnings.ca.gov).



# McGuire Manufacturing Co., Inc.

60 Grandview Court  
Cheshire, Connecticut 06410  
(203) 699-1801 Fax (203) 699-1813  
customerservice@mcguiremfg.com mcguiremfg.com

## PRODUCT SPECIFICATION

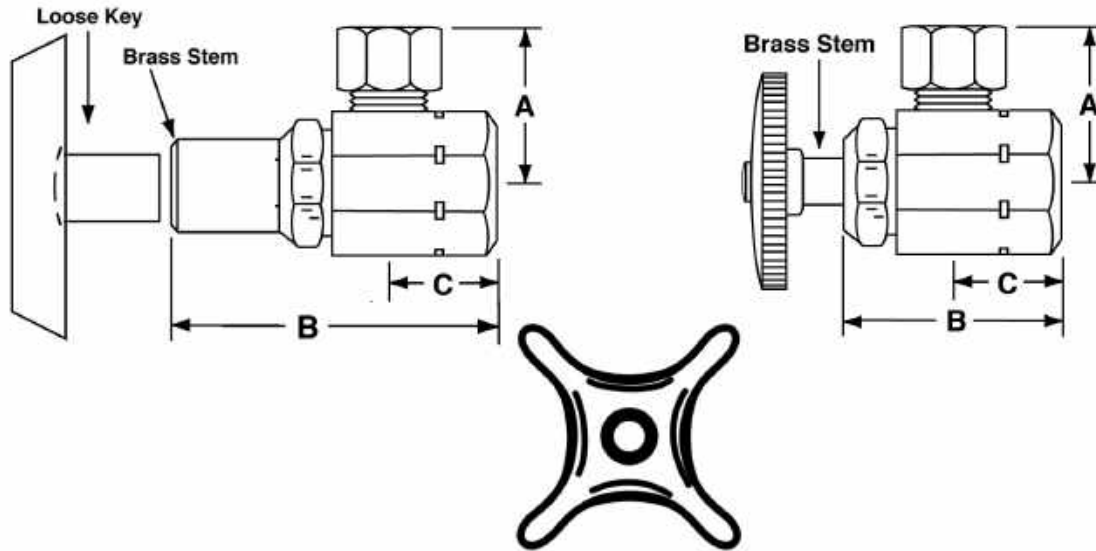
Part No.

# LFST03

Angle Supply Stop  
IPS x Compression

Job Name:

Submittal Number:



NO.	DESCRIPTION	ROUGHING MEASUREMENTS		
		A	B	C
LFST03	3/8" IPS x 1/2" OD, Wheel Handle	1-5/16"	1-1/2"	3/4"

- Rated Operating Pressure: 20-125 PSI
- Rated Operating Temperature: 40-140°F
- Note: 180°F max. during temporary high-temperature system flush

LK designates *Loose Key*

See options and accessories section for details on product variations.



## Specifications:

Chrome plated brass supply stop valve with full turn brass stem. Inlet shall be (3/8, 1/2) inch (IPS, sweat, compression). Outlet shall be (3/8, 1/2) inch (IPS, compression). Supply stop valve shall be McGuire \_\_\_\_\_ . Supply stop valve shall be certified or recognized by testing authority and bear manufacturer and testing mark.

### ! WARNING:

This product can expose you to chemicals including lead, which is known to the State of California to cause cancer, and birth defects or other reproductive harm. For more information go to [www.P65Warnings.ca.gov](http://www.P65Warnings.ca.gov).



# McGuire Manufacturing Co., Inc.

60 Grandview Court  
Cheshire, Connecticut 06410  
(203) 699-1801 Fax (203) 699-1813  
customerservice@mcguiremfg.com mcguiremfg.com

**Part No.**

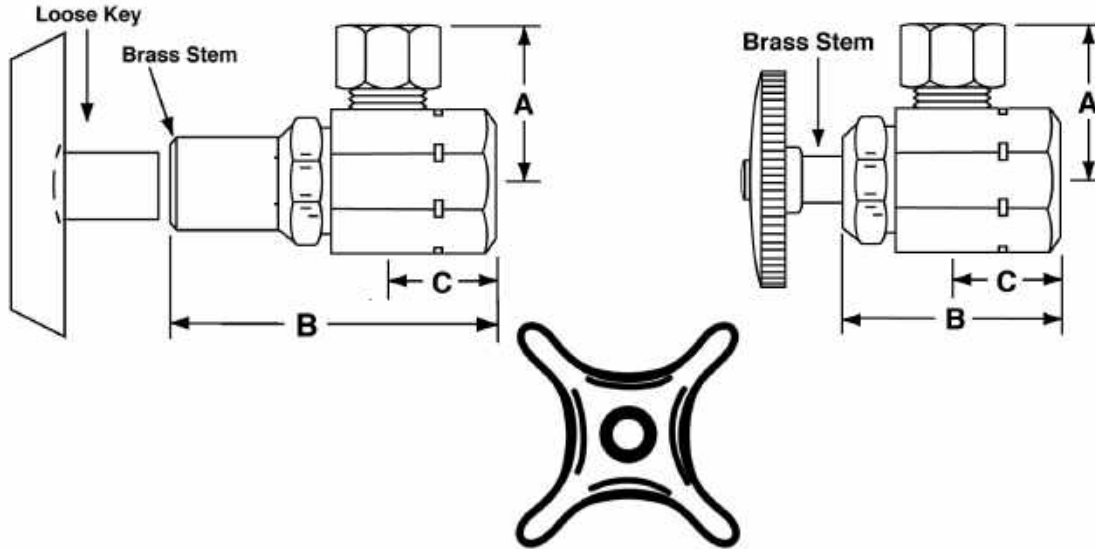
**LFST03LK**

**Angle Supply Stop  
IPS x Compression**

## PRODUCT SPECIFICATION

**Job Name:**

**Submittal Number:**



NO.	DESCRIPTION	ROUGHING MEASUREMENTS		
		A	B	C
LFST03LK	3/8" IPS x 1/2" OD, Loose Key	1-5/16"	2-1/4"	3/4"

- Rated Operating Pressure: 20-125 PSI
- Rated Operating Temperature: 40-140°F
- Note: 180°F max. during temporary high-temperature system flush

**LK** designates *Loose Key*

See options and accessories section for details on product variations.



## Specifications:

Chrome plated brass supply stop valve with full turn brass stem. Inlet shall be (3/8, 1/2) inch (IPS, sweat, compression). Outlet shall be (3/8, 1/2) inch (IPS, compression). Supply stop valve shall be McGuire \_\_\_\_\_ . Supply stop valve shall be certified or recognized by testing authority and bear manufacturer and testing mark.

### **WARNING:**

This product can expose you to chemicals including lead, which is known to the State of California to cause cancer, and birth defects or other reproductive harm. For more information go to [www.P65Warnings.ca.gov](http://www.P65Warnings.ca.gov).



# McGuire Manufacturing Co., Inc.

60 Grandview Court  
Cheshire, Connecticut 06410  
(203) 699-1801 Fax (203) 699-1813  
customerservice@mcguiremfg.com mcguiremfg.com

## PRODUCT SPECIFICATION

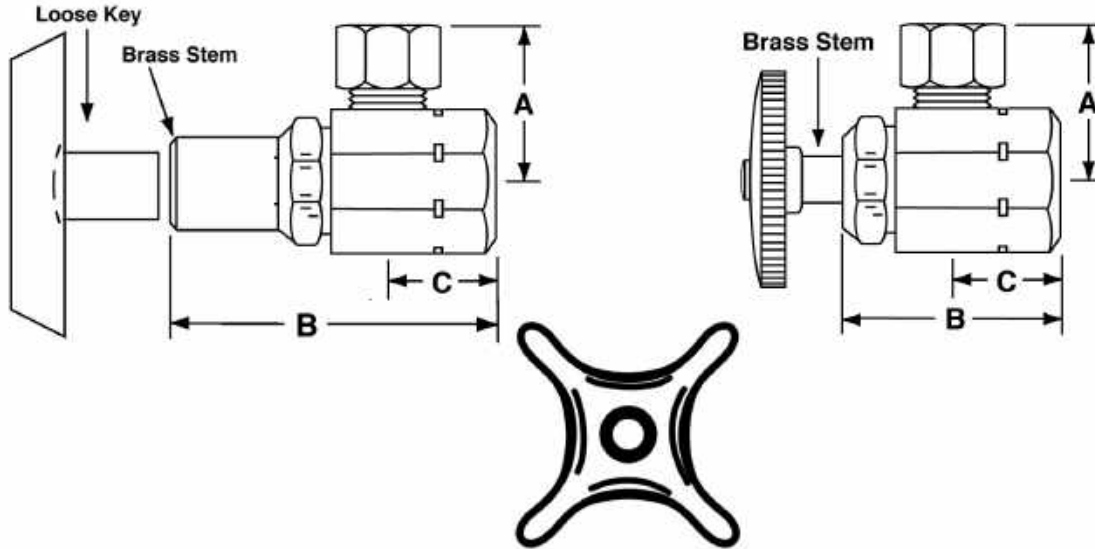
Part No.

# LFST04

Angle Supply Stop  
IPS x Compression

Job Name:

Submittal Number:



NO.	DESCRIPTION	ROUGHING MEASUREMENTS		
		A	B	C
LFST04	1/2" IPS x 1/2" OD, Wheel Handle	1-5/16"	1-1/2"	3/4"

- Rated Operating Pressure: 20-125 PSI
- Rated Operating Temperature: 40-140°F
- Note: 180°F max. during temporary high-temperature system flush



See options and accessories section for details on product variations.

## Specifications:

Chrome plated brass supply stop valve with full turn brass stem. Inlet shall be (3/8, 1/2) inch (IPS, sweat, compression). Outlet shall be (3/8, 1/2) inch (IPS, compression). Supply stop valve shall be McGuire \_\_\_\_\_ . Supply stop valve shall be certified or recognized by testing authority and bear manufacturer and testing mark.

### WARNING:

This product can expose you to chemicals including lead, which is known to the State of California to cause cancer, and birth defects or other reproductive harm. For more information go to [www.P65Warnings.ca.gov](http://www.P65Warnings.ca.gov).





# McGuire Manufacturing Co., Inc.

60 Grandview Court  
Cheshire, Connecticut 06410  
(203) 699-1801 Fax (203) 699-1813  
customerservice@mcguiremfg.com mcguiremfg.com

Part No.

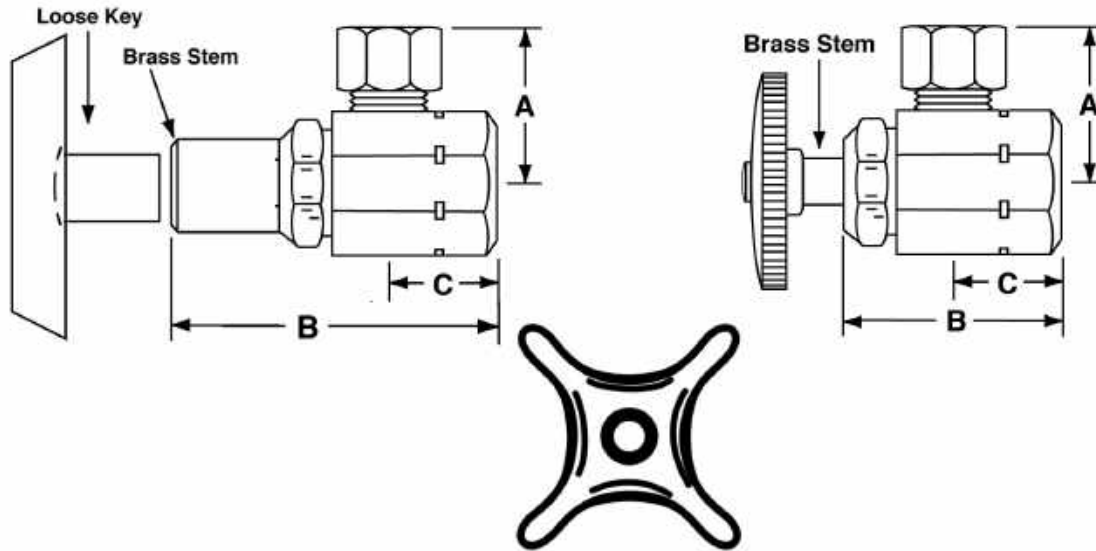
## LFST04LK

Angle Supply Stop  
IPS x Compression

### PRODUCT SPECIFICATION

Job Name:

Submittal Number:



NO.	DESCRIPTION	ROUGHING MEASUREMENTS		
		A	B	C
LFST04LK	1/2" IPS x 1/2" OD, Loose Key	1-5/16"	2-1/4"	3/4"

- Rated Operating Pressure: 20-125 PSI
- Rated Operating Temperature: 40-140°F
- Note: 180°F max. during temporary high-temperature system flush

**LK** designates *Loose Key*

See options and accessories section for details on product variations.



### Specifications:

Chrome plated brass supply stop valve with full turn brass stem. Inlet shall be (3/8, 1/2) inch (IPS, sweat, compression). Outlet shall be (3/8, 1/2) inch (IPS, compression). Supply stop valve shall be McGuire \_\_\_\_\_ . Supply stop valve shall be certified or recognized by testing authority and bear manufacturer and testing mark.

#### WARNING:

This product can expose you to chemicals including lead, which is known to the State of California to cause cancer, and birth defects or other reproductive harm. For more information go to [www.P65Warnings.ca.gov](http://www.P65Warnings.ca.gov).



**McGuire Manufacturing Co., Inc.**

60 Grandview Court  
Cheshire, Connecticut 06410  
(203) 699-1801 Fax (203) 699-1813  
customerservice@mcguiremfg.com mcguiremfg.com

**Part No.**

**LFST05SB**

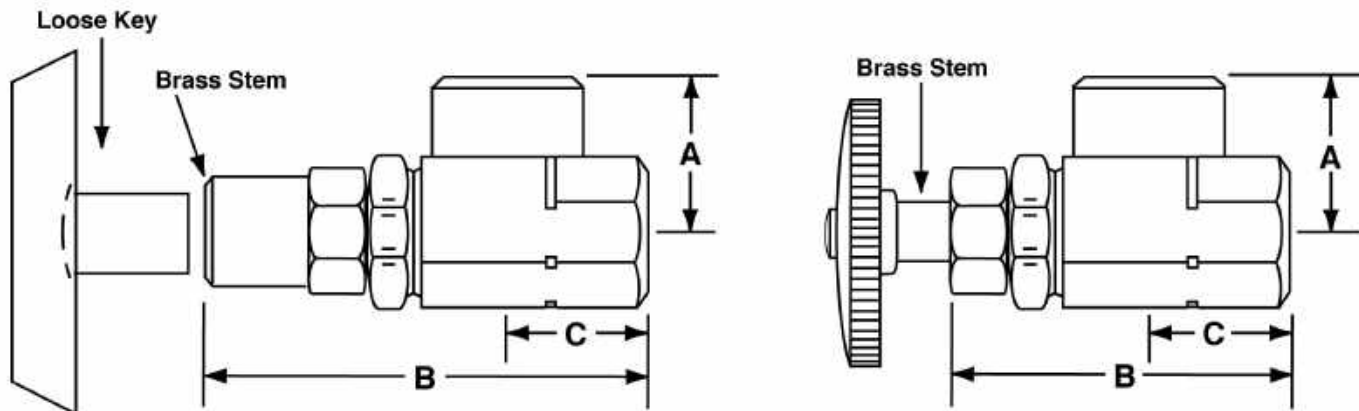
**PRODUCT SPECIFICATION**

**Angle Supply Stop  
I.P.S. x I.P.S.**

**Job Name:**

**Submittal Number:**

## Pipe to Pipe with Stuffing Box



NO.	DESCRIPTION	ROUGHING MEASUREMENTS		
		A	B	C
LFST05SB	3/8" I.P.S. x 3/8" I.P.S.	7/8"	2"	7/8"

- Rated Operating Pressure: 20-125 PSI
- Rated Operating Temperature: 40-140°F
- Note: 180°F max. during temporary high-temperature system flush

**SB** designates *Stuffing Box*

**LK** designates *Loose Key*

See options and accessories section for details on product variations.



### Specifications:

Lead free chrome plated brass supply stop valve with full turn brass stem. Inlet shall be (3/8, 1/2) inch (IPS, sweat, compression). Outlet shall be (3/8, 1/2) inch (IPS, compression). Supply stop valve shall be McGuire \_\_\_\_\_. Supply stop valve shall be certified by recognized testing authority and bear manufacturer and testing mark.



**WARNING:**  
This product can expose you to chemicals including lead, which is known to the State of California to cause cancer, and birth defects or other reproductive harm. For more information go to [www.P65Warnings.ca.gov](http://www.P65Warnings.ca.gov).



**McGuire Manufacturing Co., Inc.**

60 Grandview Court  
Cheshire, Connecticut 06410  
(203) 699-1801 Fax (203) 699-1813  
customerservice@mcguiremfg.com mcguiremfg.com

**Part No.**

**LFST05SBLK**

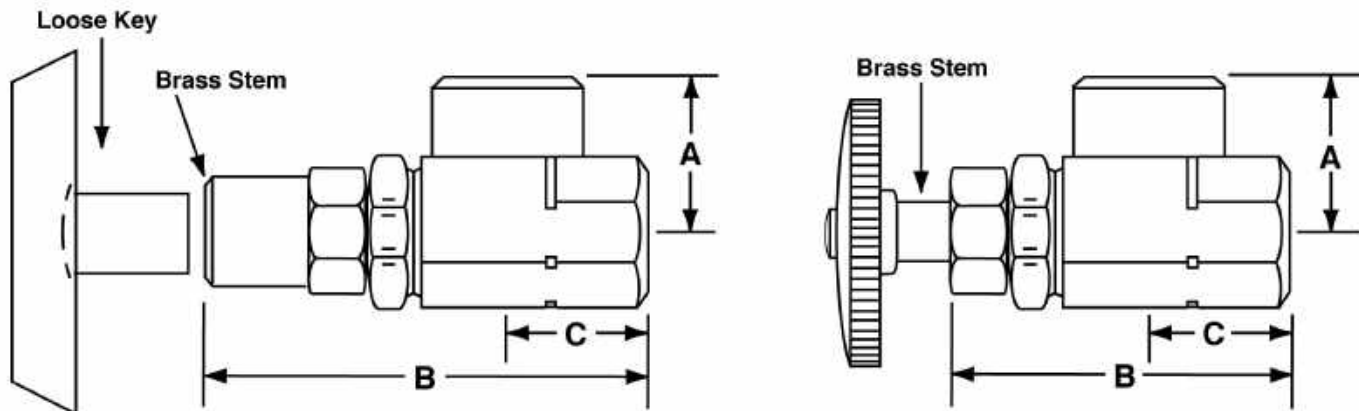
**PRODUCT SPECIFICATION**

**Angle Supply Stop  
I.P.S. x I.P.S.**

**Job Name:**

**Submittal Number:**

# Pipe to Pipe with Stuffing Box



NO.	DESCRIPTION	ROUGHING MEASUREMENTS		
		A	B	C
LFST05SBLK	3/8" I.P.S. x 3/8" I.P.S.	7/8"	2"	7/8"

- Rated Operating Pressure: 20-125 PSI
- Rated Operating Temperature: 40-140°F
- Note: 180°F max. during temporary high-temperature system flush

**SB** designates *Stuffing Box*

**LK** designates *Loose Key*

See options and accessories section for details on product variations.



## Specifications:

Lead free chrome plated brass supply stop valve with full turn brass stem. Inlet shall be (3/8, 1/2) inch (IPS, sweat, compression). Outlet shall be (3/8, 1/2) inch (IPS, compression). Supply stop valve shall be McGuire \_\_\_\_\_ . Supply stop valve shall be certified by recognized testing authority and bear manufacturer and testing mark.

### **WARNING:**

This product can expose you to chemicals including lead, which is known to the State of California to cause cancer, and birth defects or other reproductive harm. For more information go to [www.P65Warnings.ca.gov](http://www.P65Warnings.ca.gov).



**McGuire Manufacturing Co., Inc.**

60 Grandview Court

Cheshire, Connecticut 06410

(203) 699-1801 Fax (203) 699-1813

customerservice@mcguiremfg.com mcguiremfg.com

**PRODUCT SPECIFICATION**

**Part No.**

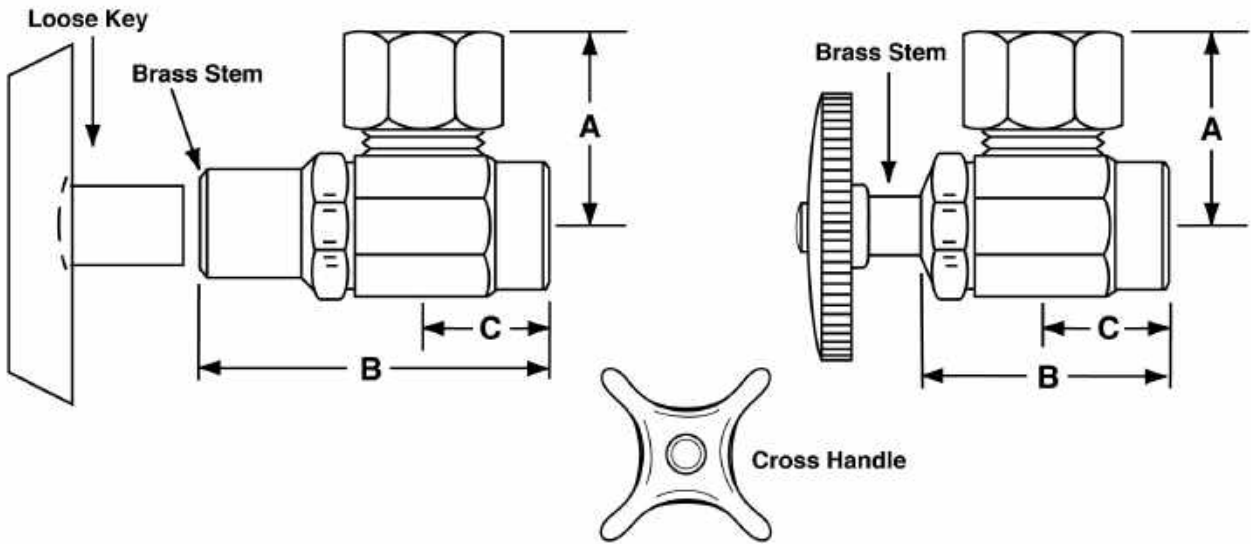
LFST07, LFST07LK, LFST07X,  
LFST08, LFST08LK, LFST08X

**Angle Supply Stop  
Copper Sweat x O.D.**

**Job Name:**

**Submittal Number:**

# Sweat To Compression



NO.	DESCRIPTION	ROUGHING MEASUREMENTS		
		A	B	C
LFST07	1/2" Copper Sweat x 3/8" O.D.	1"	1-1/2"	3/4"
LFST07LK	1/2" Copper Sweat x 3/8" O.D.	1"	2-1/4"	3/4"
LFST07X	1/2" Copper Sweat x 3/8" O.D.	1"	1-1/2"	3/4"
LFST08	1/2" Copper Sweat x 1/2" O.D.	1-1/8"	1-1/2"	13/16"
LFST08LK	1/2" Copper Sweat x 1/2" O.D.	1-1/8"	2-1/4"	13/16"
LFST08X	1/2" Copper Sweat x 1/2" O.D.	1-1/8"	1-1/2"	13/16"

**LK** designates *Loose Key*

**X** designates *Heavy Brass Cross Handle*

See options and accessories section for details on product variations.



## Specifications:

Chrome plated brass, supply stop valve with full turn brass stem. Inlet shall be (3/8, 1/2) inch (IPS, sweat, compression). Outlet shall be (3/8, 1/2) inch (IPS, compression). Supply stop valve shall be McGuire \_\_\_\_\_ . Supply stop valve shall be recognized by testing authority and bear manufacturer and testing mark.

### **WARNING:**

This product can expose you to chemicals including lead, which is known to the State of California to cause cancer, and birth defects or other reproductive harm. For more information go to [www.P65Warnings.ca.gov](http://www.P65Warnings.ca.gov).



**McGuire Manufacturing Co., Inc.**

60 Grandview Court

Cheshire, Connecticut 06410

(203) 699-1801 Fax (203) 699-1813

customerservice@mcguiremfg.com mcguiremfg.com

**PRODUCT SPECIFICATION**

**Part No.**

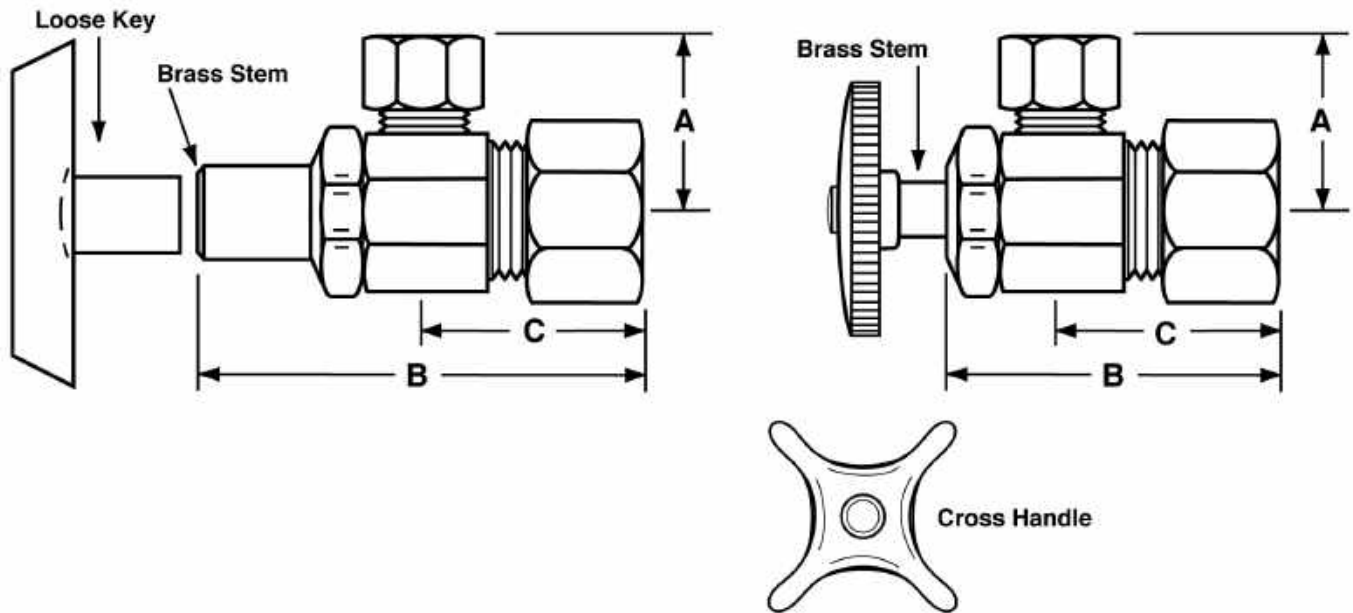
**LFST09**

**Angle Supply Stop  
Nominal x O.D.**

**Job Name:**

**Submittal Number:**

# Compression To Compression



NO.	DESCRIPTION	ROUGHING MEASUREMENTS		
		A	B	C
LFST09	1/2" Nominal x 3/8" O.D.	1"	1-3/4"	1-1/8"

- Rated Operating Pressure: 20-125 PSI
- Rated Operating Temperature: 40-140°F
- Note: 180°F max. during temporary high-temperature system flush

**LK** designates *Loose Key*

**X** designates *Heavy Brass Cross Handle*

See options and accessories section for details on product variations.



## Specifications:

Chrome plated brass, supply stop valve with full turn brass stem. Inlet shall be (3/8, 1/2) inch (IPS, sweat, compression). Outlet shall be (3/8, 1/2) inch (IPS, compression). Supply stop valve shall be McGuire \_\_\_\_\_. Supply stop valve shall be recognized by testing authority and bear manufacturer and testing mark.



**WARNING:**

This product can expose you to chemicals including lead, which is known to the State of California to cause cancer, and birth defects or other reproductive harm. For more information go to [www.P65Warnings.ca.gov](http://www.P65Warnings.ca.gov).



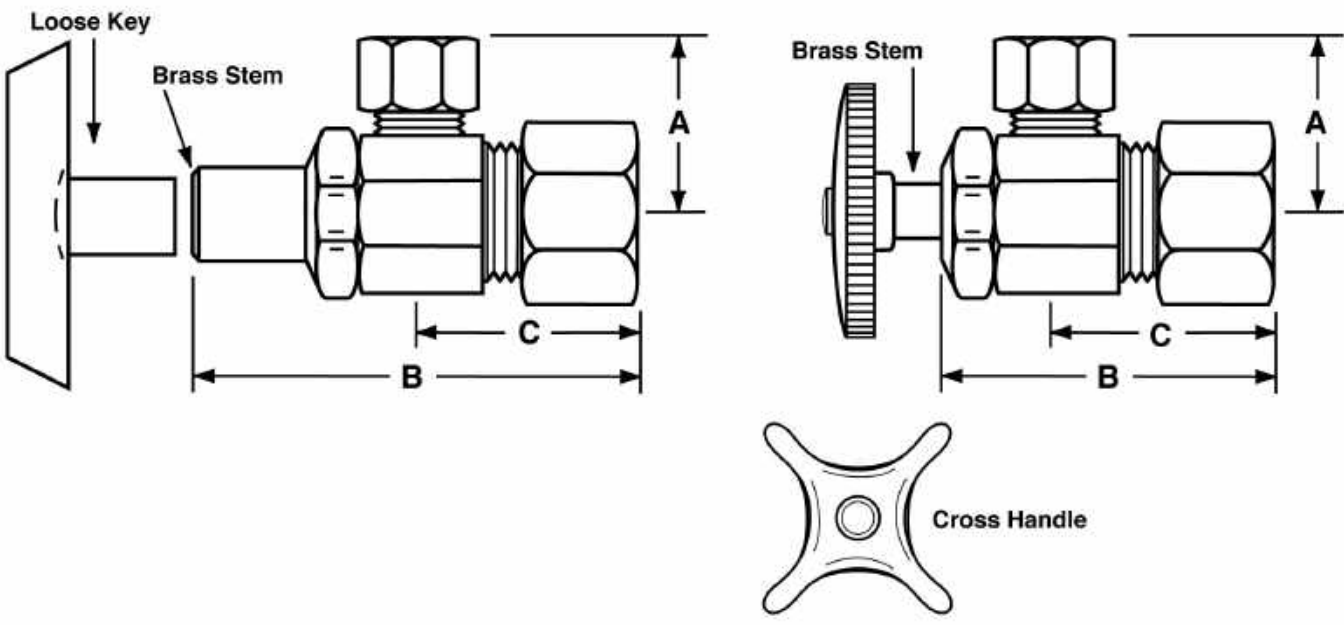
**McGuire Manufacturing Co., Inc.**  
 60 Grandview Court  
 Cheshire, Connecticut 06410  
 (203) 699-1801 Fax (203) 699-1813  
 customerservice@mcguiremfg.com mcguiremfg.com  
**PRODUCT SPECIFICATION**

**Part No.**  
**LFST09LK**  
**Angle Supply Stop**  
**Nominal x O.D.**

**Job Name:** \_\_\_\_\_

**Submittal Number:** \_\_\_\_\_

# Compression To Compression



NO.	DESCRIPTION	ROUGHING MEASUREMENTS		
		A	B	C
LFST09LK	1/2" Nominal x 3/8" O.D.	1"	2-3/8"	1-1/8"

- Rated Operating Pressure: 20-125 PSI
- Rated Operating Temperature: 40-140°F
- Note: 180°F max. during temporary high-temperature system flush

**LK** designates *Loose Key*  
**X** designates *Heavy Brass Cross Handle*  
 See options and accessories section for details on product variations.



## Specifications:

Chrome plated brass, supply stop valve with full turn brass stem. Inlet shall be (3/8, 1/2) inch (IPS, sweat, compression). Outlet shall be (3/8, 1/2) inch (IPS, compression). Supply stop valve shall be McGuire \_\_\_\_\_. Supply stop valve shall be recognized by testing authority and bear manufacturer and testing mark.

**WARNING:**

This product can expose you to chemicals including lead, which is known to the State of California to cause cancer, and birth defects or other reproductive harm. For more information go to [www.P65Warnings.ca.gov](http://www.P65Warnings.ca.gov).



**McGuire Manufacturing Co., Inc.**

60 Grandview Court

Cheshire, Connecticut 06410

(203) 699-1801 Fax (203) 699-1813

customerservice@mcguiremfg.com mcguiremfg.com

**PRODUCT SPECIFICATION**

**Part No.**

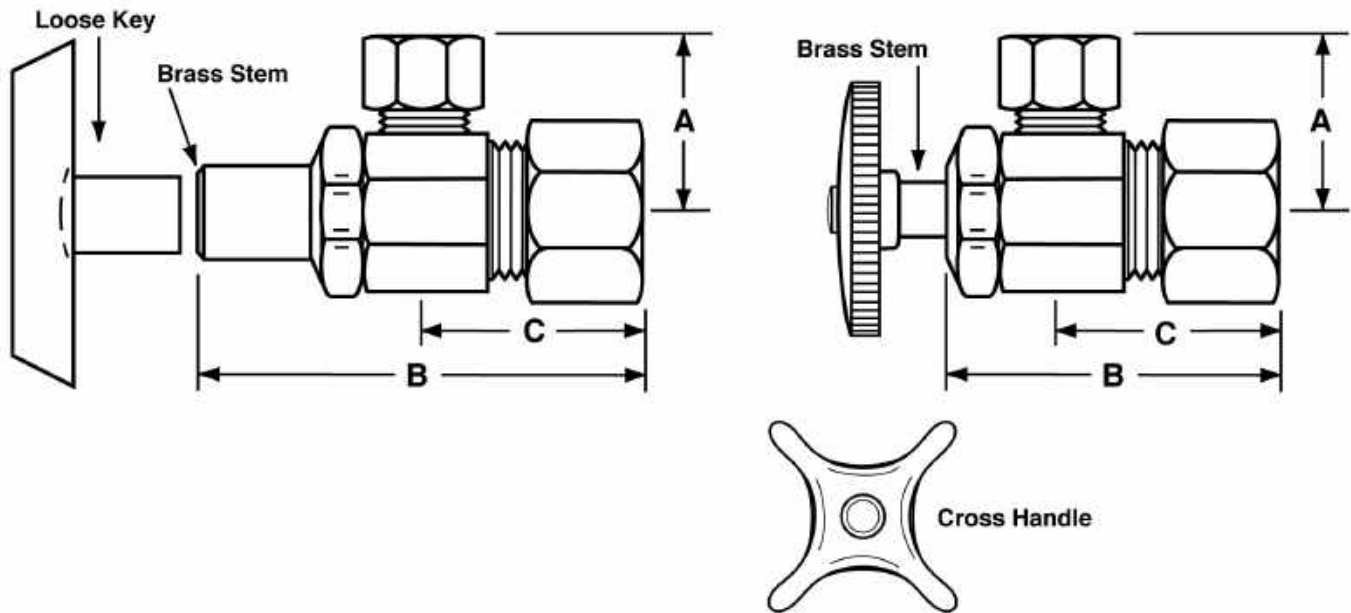
**LFST09X**

**Angle Supply Stop  
Nominal x O.D.**

**Job Name:**

**Submittal Number:**

# Compression To Compression



NO.	DESCRIPTION	ROUGHING MEASUREMENTS		
		A	B	C
LFST09X	1/2" Nominal x 3/8" O.D.	1"	1-3/4"	1-1/8"

- Rated Operating Pressure: 20-125 PSI
- Rated Operating Temperature: 40-140°F
- Note: 180°F max. during temporary high-temperature system flush

**LK** designates *Loose Key*

**X** designates *Heavy Brass Cross Handle*

See options and accessories section for details on product variations.



## Specifications:

Chrome plated brass, supply stop valve with full turn brass stem. Inlet shall be (3/8, 1/2) inch (IPS, sweat, compression). Outlet shall be (3/8, 1/2) inch (IPS, compression). Supply stop valve shall be McGuire \_\_\_\_\_. Supply stop valve shall be recognized by testing authority and bear manufacturer and testing mark.



**WARNING:**

This product can expose you to chemicals including lead, which is known to the State of California to cause cancer, and birth defects or other reproductive harm. For more information go to [www.P65Warnings.ca.gov](http://www.P65Warnings.ca.gov).



**McGuire Manufacturing Co., Inc.**

60 Grandview Court

Cheshire, Connecticut 06410

(203) 699-1801 Fax (203) 699-1813

customerservice@mcguiremfg.com mcguiremfg.com

**PRODUCT SPECIFICATION**

**Part No.**

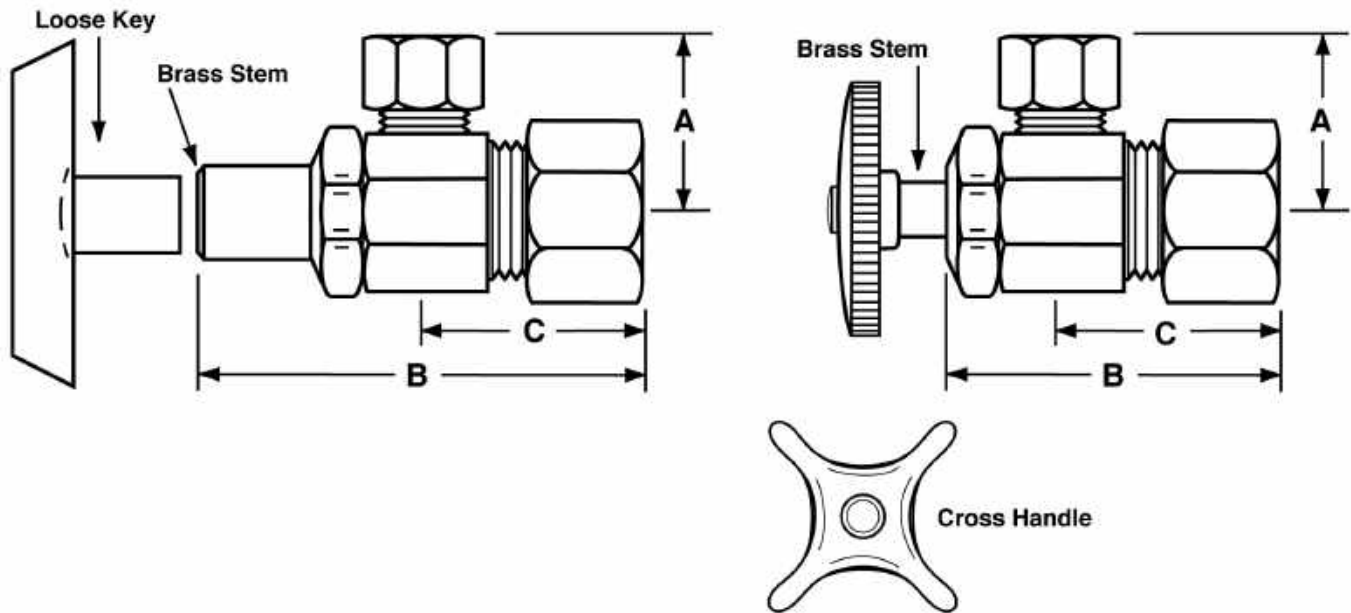
**LFST10**

**Angle Supply Stop  
Nominal x O.D.**

**Job Name:**

**Submittal Number:**

# Compression To Compression



NO.	DESCRIPTION	ROUGHING MEASUREMENTS		
		A	B	C
LFST010	1/2" Nominal x 1/2" O.D.	1-3/16"	1-3/4"	1-1/4"

- Rated Operating Pressure: 20-125 PSI
- Rated Operating Temperature: 40-140°F
- Note: 180°F max. during temporary high-temperature system flush

**LK** designates *Loose Key*

**X** designates *Heavy Brass Cross Handle*

See options and accessories section for details on product variations.



## Specifications:

Chrome plated brass, supply stop valve with full turn brass stem. Inlet shall be (3/8, 1/2) inch (IPS, sweat, compression). Outlet shall be (3/8, 1/2) inch (IPS, compression). Supply stop valve shall be McGuire \_\_\_\_\_. Supply stop valve shall be recognized by testing authority and bear manufacturer and testing mark.



### WARNING:

This product can expose you to chemicals including lead, which is known to the State of California to cause cancer, and birth defects or other reproductive harm. For more information go to [www.P65Warnings.ca.gov](http://www.P65Warnings.ca.gov).





**McGuire Manufacturing Co., Inc.**

60 Grandview Court

Cheshire, Connecticut 06410

(203) 699-1801 Fax (203) 699-1813

customerservice@mcguiremfg.com mcguiremfg.com

**PRODUCT SPECIFICATION**

**Part No.**

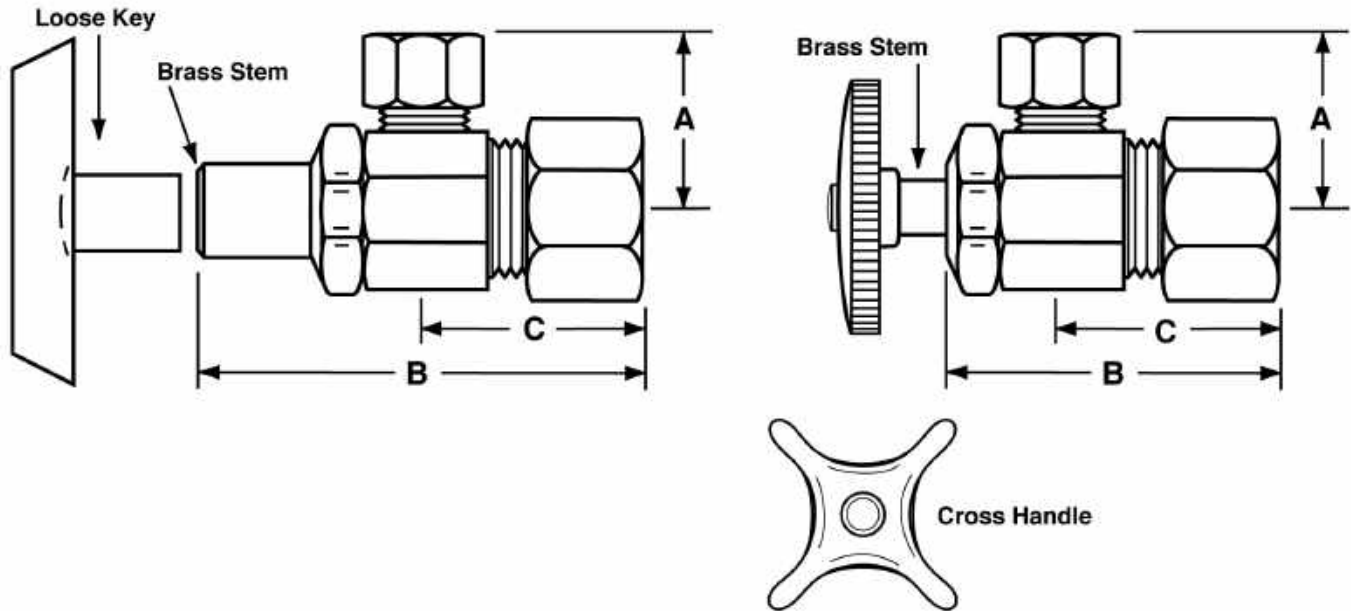
**LFST10LK**

**Angle Supply Stop  
Nominal x O.D.**

**Job Name:**

**Submittal Number:**

# Compression To Compression



NO.	DESCRIPTION	ROUGHING MEASUREMENTS		
		A	B	C
LFST010LK	1/2" Nominal x 1/2" O.D.	1-3/16"	2-3/8"	1-1/4"

- Rated Operating Pressure: 20-125 PSI
- Rated Operating Temperature: 40-140°F
- Note: 180°F max. during temporary high-temperature system flush

**LK** designates *Loose Key*

**X** designates *Heavy Brass Cross Handle*

See options and accessories section for details on product variations.



## Specifications:

Chrome plated brass, supply stop valve with full turn brass stem. Inlet shall be (3/8, 1/2) inch (IPS, sweat, compression). Outlet shall be (3/8, 1/2) inch (IPS, compression). Supply stop valve shall be McGuire \_\_\_\_\_. Supply stop valve shall be recognized by testing authority and bear manufacturer and testing mark.



**WARNING:**

This product can expose you to chemicals including lead, which is known to the State of California to cause cancer, and birth defects or other reproductive harm. For more information go to [www.P65Warnings.ca.gov](http://www.P65Warnings.ca.gov).



**McGuire Manufacturing Co., Inc.**

60 Grandview Court

Cheshire, Connecticut 06410

(203) 699-1801 Fax (203) 699-1813

customerservice@mcguiremfg.com mcguiremfg.com

**PRODUCT SPECIFICATION**

**Part No.**

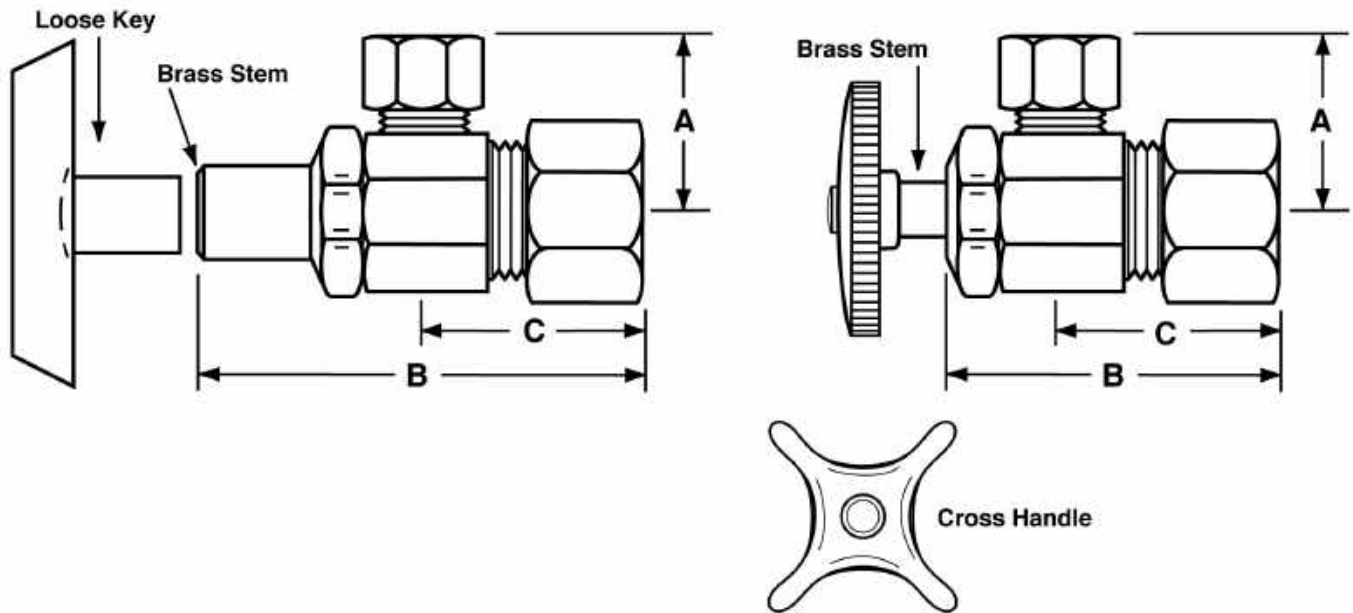
**LFST10X**

**Angle Supply Stop  
Nominal x O.D.**

**Job Name:**

**Submittal Number:**

# Compression To Compression



NO.	DESCRIPTION	ROUGHING MEASUREMENTS		
		A	B	C
LFST010X	1/2" Nominal x 1/2" O.D.	1-3/16"	1-3/4"	1-1/4"

- Rated Operating Pressure: 20-125 PSI
- Rated Operating Temperature: 40-140°F
- Note: 180°F max. during temporary high-temperature system flush

**LK** designates *Loose Key*

**X** designates *Heavy Brass Cross Handle*

See options and accessories section for details on product variations.



## Specifications:

Chrome plated brass, supply stop valve with full turn brass stem. Inlet shall be (3/8, 1/2) inch (IPS, sweat, compression). Outlet shall be (3/8, 1/2) inch (IPS, compression). Supply stop valve shall be McGuire \_\_\_\_\_. Supply stop valve shall be recognized by testing authority and bear manufacturer and testing mark.



### WARNING:

This product can expose you to chemicals including lead, which is known to the State of California to cause cancer, and birth defects or other reproductive harm. For more information go to [www.P65Warnings.ca.gov](http://www.P65Warnings.ca.gov).



**McGuire Manufacturing Co., Inc.**

60 Grandview Court

Cheshire, Connecticut 06410

(203) 699-1801 Fax (203) 699-1813

customerservice@mcguiremfg.com mcguiremfg.com

**PRODUCT SPECIFICATION**

**Part No.**

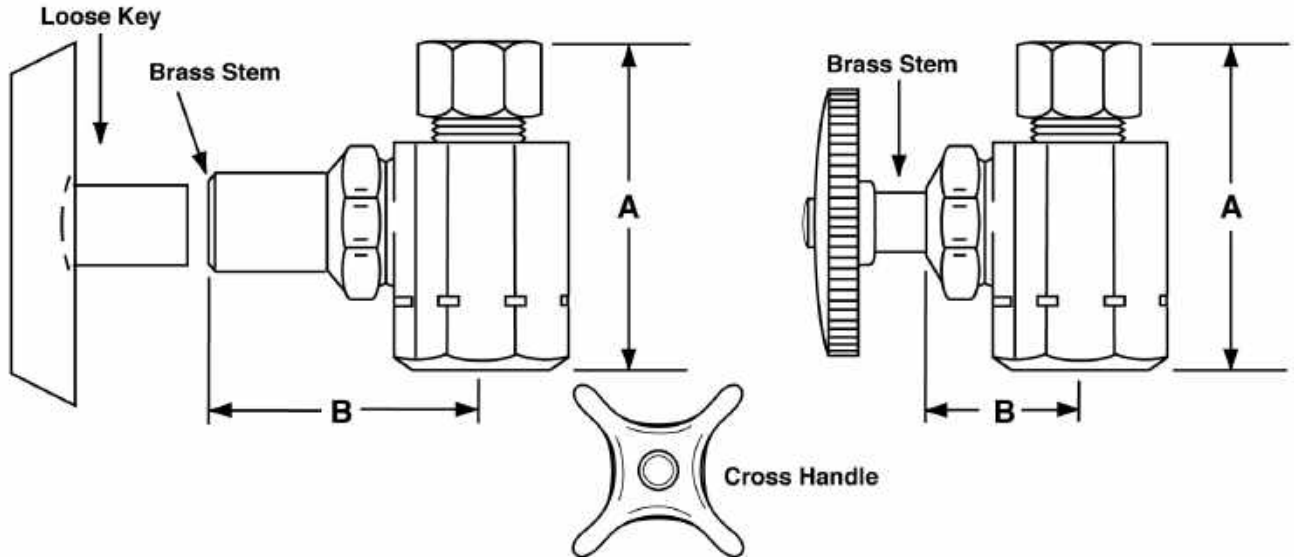
**LFST11**

**Straight Supply Stop  
I.P.S. x O.D.**

**Job Name:**

**Submittal Number:**

## Pipe To Compression



NO.	DESCRIPTION	ROUGHING MEASUREMENTS	
		A	B
LFST11	3/8" I.P.S. x 3/8" O.D.	1-15/16"	7/8"

- Rated Operating Pressure: 20-125 PSI
- Rated Operating Temperature: 40-140°F
- Note: 180°F max. during temporary high-temperature system flush

**LK** designates *Loose Key*

**X** designates *Heavy Brass Cross Handle*

See options and accessories section for details on product variations.



## Specifications:

Chrome plated brass, Supply Stop Valve with full turn brass stem. Inlet shall be (3/8, 1/2) inch (IPS, sweat, compression). Outlet shall be (3/8, 1/2) inch (IPS, compression). Supply stop valve shall be McGuire. Supply stop valve shall be certified by CSA or other recognized testing authority and bear manufacturer and testing mark. Stop to be certified to 200 psi line pressure.



**WARNING:**

This product can expose you to chemicals including lead, which is known to the State of California to cause cancer, and birth defects or other reproductive harm. For more information go to [www.P65Warnings.ca.gov](http://www.P65Warnings.ca.gov).



**McGuire Manufacturing Co., Inc.**

60 Grandview Court

Cheshire, Connecticut 06410

(203) 699-1801 Fax (203) 699-1813

customerservice@mcguiremfg.com mcguiremfg.com

**PRODUCT SPECIFICATION**

**Part No.**

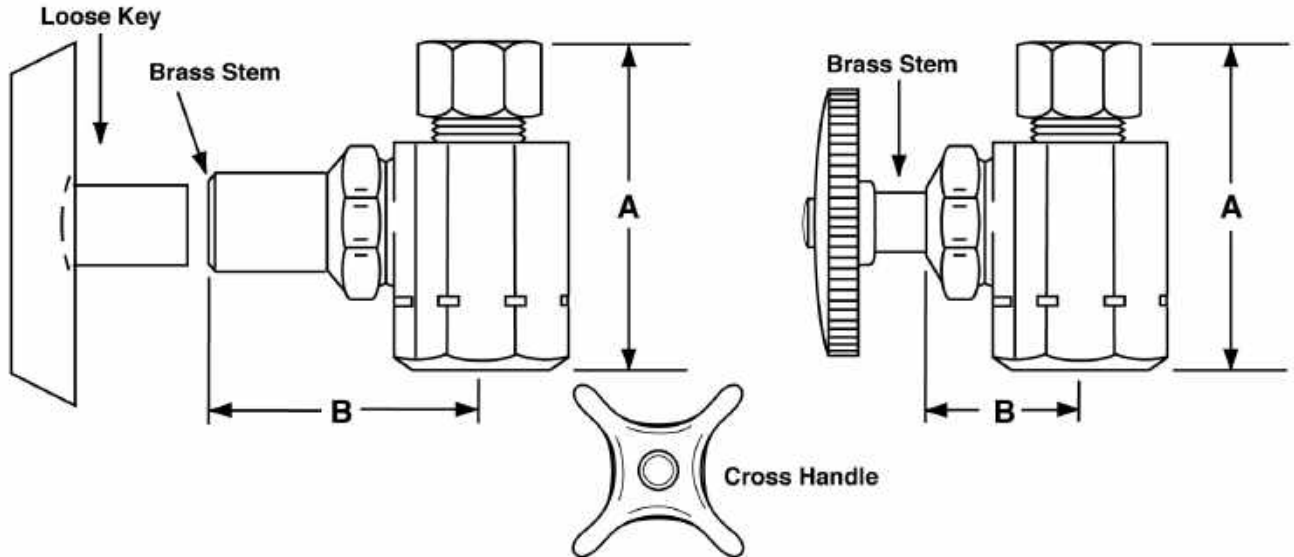
**LFST11LK**

**Straight Supply Stop  
I.P.S. x O.D.**

**Job Name:**

**Submittal Number:**

## Pipe To Compression



NO.	DESCRIPTION	ROUGHING MEASUREMENTS	
		A	B
LFST11LK	3/8" I.P.S. x 3/8" O.D.	1-15/16"	1-5/8"

- Rated Operating Pressure: 20-125 PSI
- Rated Operating Temperature: 40-140°F
- Note: 180°F max. during temporary high-temperature system flush

**LK** designates *Loose Key*

**X** designates *Heavy Brass Cross Handle*

See options and accessories section for details on product variations.



## Specifications:

Chrome plated brass, Supply Valve with full turn brass stem. Inlet shall be (3/8, 1/2) inch (IPS, sweat, compression). Outlet shall be (3/8, 1/2) inch (IPS, compression). Supply stop valve shall be McGuire. Supply stop valve shall be certified by CSA or other recognized testing authority and bear manufacturer and testing mark. Stop to be certified to 200 psi line pressure.



**WARNING:**

This product can expose you to chemicals including lead, which is known to the State of California to cause cancer, and birth defects or other reproductive harm. For more information go to [www.P65Warnings.ca.gov](http://www.P65Warnings.ca.gov).



**McGuire Manufacturing Co., Inc.**

60 Grandview Court

Cheshire, Connecticut 06410

(203) 699-1801 Fax (203) 699-1813

customerservice@mcguiremfg.com mcguiremfg.com

**PRODUCT SPECIFICATION**

**Part No.**

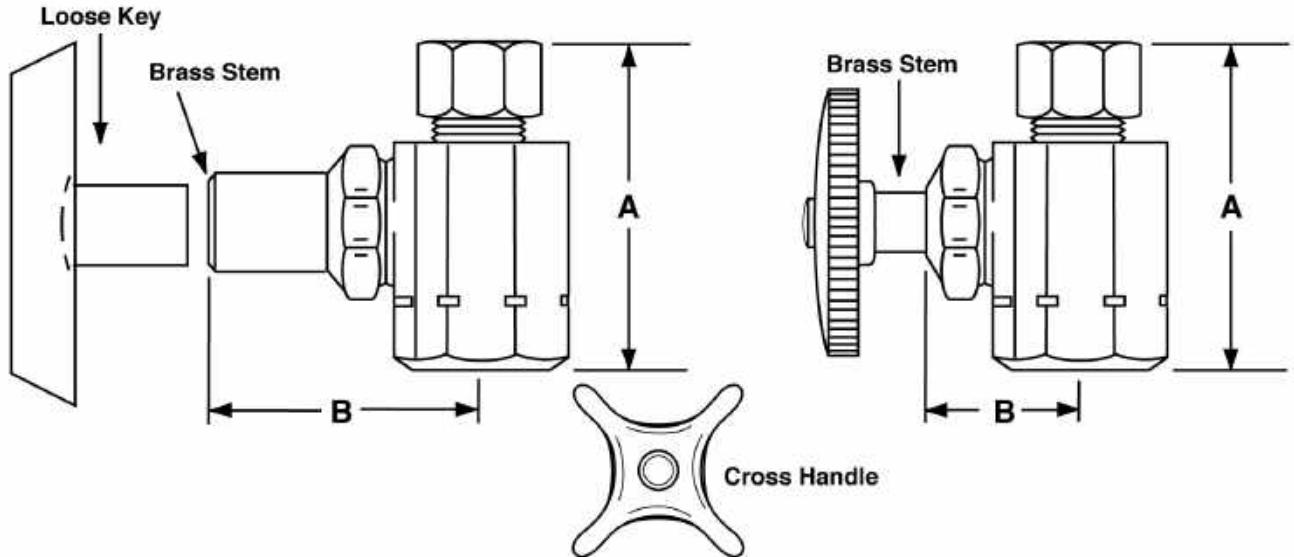
**LFST11X**

**Straight Supply Stop  
I.P.S. x O.D.**

**Job Name:**

**Submittal Number:**

## Pipe To Compression



NO.	DESCRIPTION	ROUGHING MEASUREMENTS	
		A	B
LFST11X	3/8" I.P.S. x 3/8" O.D.	1-15/16"	7/8"

- Rated Operating Pressure: 20-125 PSI
- Rated Operating Temperature: 40-140°F
- Note: 180°F max. during temporary high-temperature system flush

**LK** designates *Loose Key*

**X** designates *Heavy Brass Cross Handle*

See options and accessories section for details on product variations.



## Specifications:

Chrome plated brass, Supply Stop Valve with full turn brass stem. Inlet shall be (3/8, 1/2) inch (IPS, sweat, compression). Outlet shall be (3/8, 1/2) inch (IPS, compression). Supply stop valve shall be McGuire. Supply stop valve shall be certified by CSA or other recognized testing authority and bear manufacturer and testing mark. Stop to be certified to 200 psi line pressure.



**WARNING:**

This product can expose you to chemicals including lead, which is known to the State of California to cause cancer, and birth defects or other reproductive harm. For more information go to [www.P65Warnings.ca.gov](http://www.P65Warnings.ca.gov).



**McGuire Manufacturing Co., Inc.**

60 Grandview Court

Cheshire, Connecticut 06410

(203) 699-1801 Fax (203) 699-1813

customerservice@mcguiremfg.com mcguiremfg.com

**PRODUCT SPECIFICATION**

**Part No.**

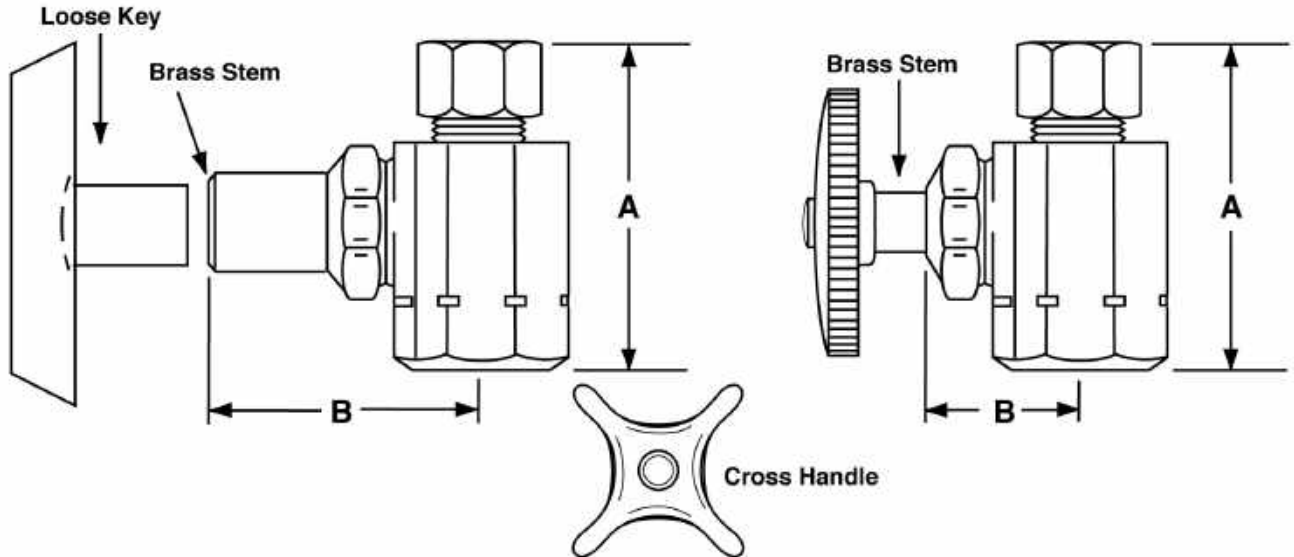
**LFST12**

**Straight Supply Stop  
I.P.S. x O.D.**

**Job Name:**

**Submittal Number:**

# Pipe To Compression



NO.	DESCRIPTION	ROUGHING MEASUREMENTS	
		A	B
LFST12	1/2" I.P.S. x 3/8" O.D.	1-15/16"	7/8"

- Rated Operating Pressure: 20-125 PSI
- Rated Operating Temperature: 40-140°F
- Note: 180°F max. during temporary high-temperature system flush

**LK** designates *Loose Key*

**X** designates *Heavy Brass Cross Handle*

See options and accessories section for details on product variations.



## Specifications:

Chrome plated brass, Supply Stop Valve with full turn brass stem. Inlet shall be (3/8, 1/2) inch (IPS, sweat, compression). Outlet shall be (3/8, 1/2) inch (IPS, compression). Supply stop valve shall be McGuire. Supply stop valve shall be certified by CSA or other recognized testing authority and bear manufacturer and testing mark. Stop to be certified to 200 psi line pressure.



### WARNING:

This product can expose you to chemicals including lead, which is known to the State of California to cause cancer, and birth defects or other reproductive harm. For more information go to [www.P65Warnings.ca.gov](http://www.P65Warnings.ca.gov).



**McGuire Manufacturing Co., Inc.**

60 Grandview Court

Cheshire, Connecticut 06410

(203) 699-1801 Fax (203) 699-1813

customerservice@mcguiremfg.com mcguiremfg.com

**PRODUCT SPECIFICATION**

**Part No.**

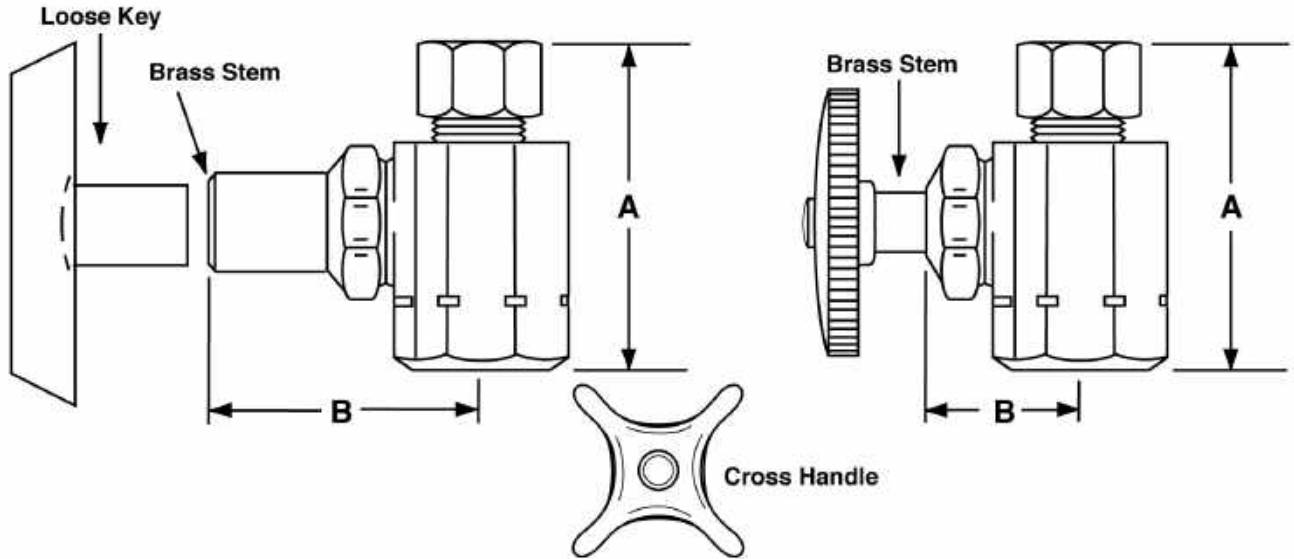
**LFST12LK**

**Straight Supply Stop  
I.P.S. x O.D.**

**Job Name:**

**Submittal Number:**

## Pipe To Compression



NO.	DESCRIPTION	ROUGHING MEASUREMENTS	
		A	B
LFST12LK	1/2" I.P.S. x 3/8" O.D.	1-15/16"	1-5/8"

- Rated Operating Pressure: 20-125 PSI
- Rated Operating Temperature: 40-140°F
- Note: 180°F max. during temporary high-temperature system flush

**LK** designates *Loose Key*

**X** designates *Heavy Brass Cross Handle*

See options and accessories section for details on product variations.



## Specifications:

Chrome plated brass, Supply Stop Valve with full turn brass stem. Inlet shall be (3/8, 1/2) inch (IPS, sweat, compression). Outlet shall be (3/8, 1/2) inch (IPS, compression). Supply stop valve shall be McGuire. Supply stop valve shall be certified by CSA or other recognized testing authority and bear manufacturer and testing mark. Stop to be certified to 200 psi line pressure.



**WARNING:**

This product can expose you to chemicals including lead, which is known to the State of California to cause cancer, and birth defects or other reproductive harm. For more information go to [www.P66Warnings.ca.gov](http://www.P66Warnings.ca.gov).



**McGuire Manufacturing Co., Inc.**

60 Grandview Court

Cheshire, Connecticut 06410

(203) 699-1801 Fax (203) 699-1813

customerservice@mcguiremfg.com mcguiremfg.com

**PRODUCT SPECIFICATION**

**Part No.**

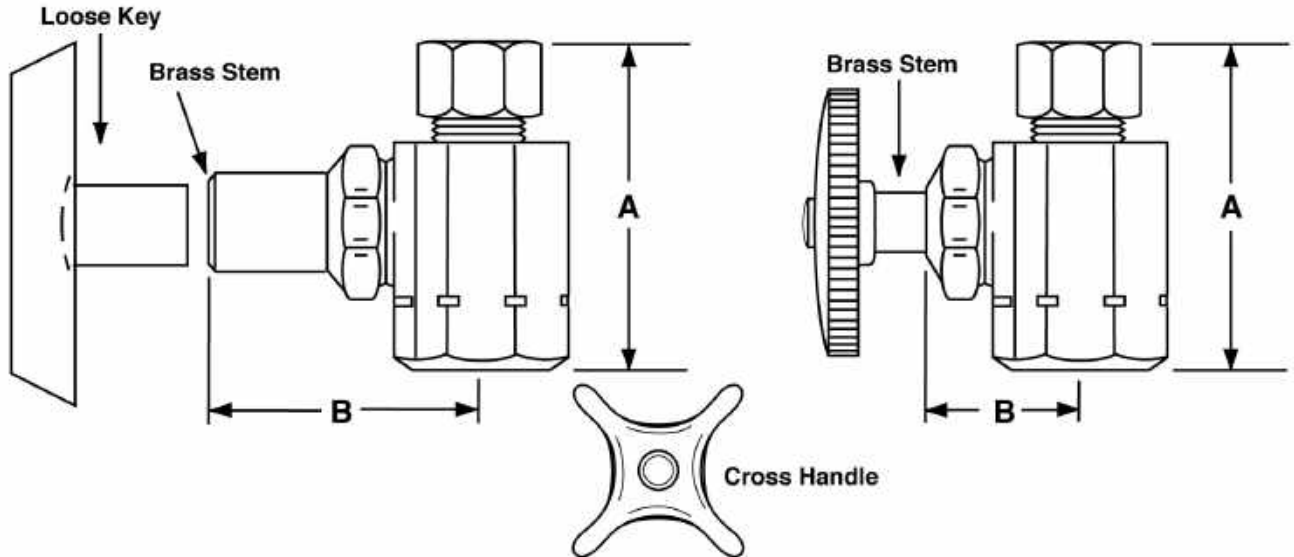
**LFST12X**

**Straight Supply Stop  
I.P.S. x O.D.**

**Job Name:**

**Submittal Number:**

## Pipe To Compression



NO.	DESCRIPTION	ROUGHING MEASUREMENTS	
		A	B
LFST12X	1/2" I.P.S. x 3/8" O.D.	1-15/16"	7/8"

- Rated Operating Pressure: 20-125 PSI
- Rated Operating Temperature: 40-140°F
- Note: 180°F max. during temporary high-temperature system flush

**LK** designates *Loose Key*

**X** designates *Heavy Brass Cross Handle*

See options and accessories section for details on product variations.



## Specifications:

Chrome plated brass, Supply Stop Valve with full turn brass stem. Inlet shall be (3/8, 1/2) inch (IPS, sweat, compression). Outlet shall be (3/8, 1/2) inch (IPS, compression). Supply stop valve shall be McGuire. Supply stop valve shall be certified by CSA or other recognized testing authority and bear manufacturer and testing mark. Stop to be certified to 200 psi line pressure.



**WARNING:**

This product can expose you to chemicals including lead, which is known to the State of California to cause cancer, and birth defects or other reproductive harm. For more information go to [www.P65Warnings.ca.gov](http://www.P65Warnings.ca.gov).





**McGuire Manufacturing Co., Inc.**

60 Grandview Court

Cheshire, Connecticut 06410

(203) 699-1801 Fax (203) 699-1813

customerservice@mcguiremfg.com mcguiremfg.com

**PRODUCT SPECIFICATION**

**Part No.**

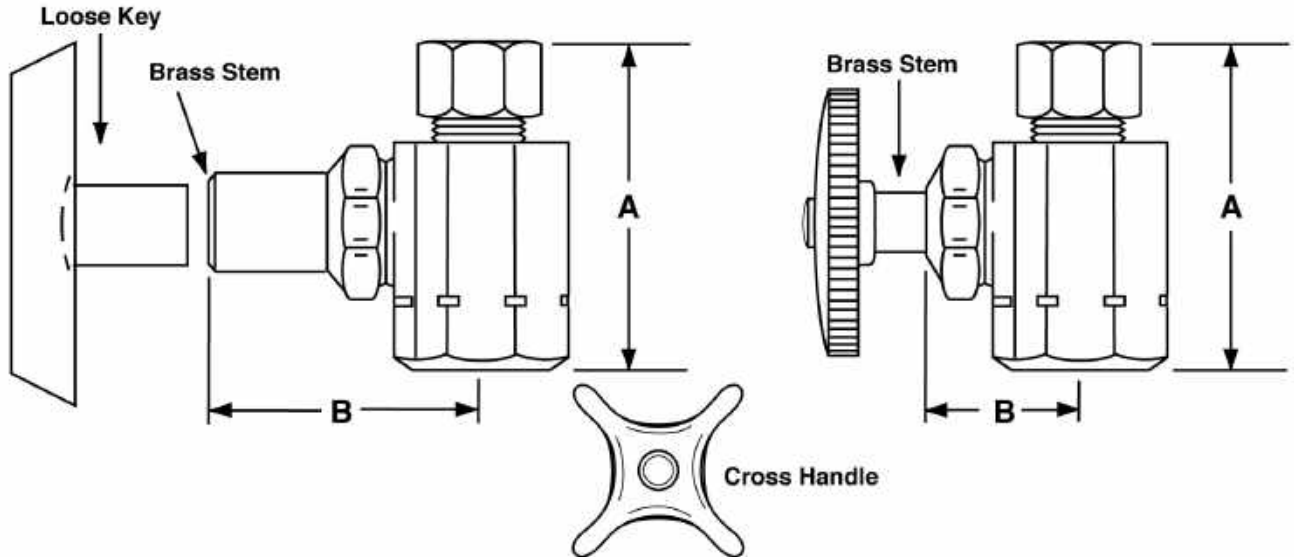
**LFST13**

**Straight Supply Stop  
I.P.S. x O.D.**

**Job Name:**

**Submittal Number:**

## Pipe To Compression



NO.	DESCRIPTION	ROUGHING MEASUREMENTS	
		A	B
LFST13	3/8" I.P.S. x 1/2" O.D.	1-15/16"	7/8"

- Rated Operating Pressure: 20-125 PSI
- Rated Operating Temperature: 40-140°F
- Note: 180°F max. during temporary high-temperature system flush

**LK** designates *Loose Key*

**X** designates *Heavy Brass Cross Handle*

See options and accessories section for details on product variations.



## Specifications:

Chrome plated brass, Supply Valve with full turn brass stem. Inlet shall be (3/8, 1/2) inch (IPS, sweat, compression). Outlet shall be (3/8, 1/2) inch (IPS, compression). Supply stop valve shall be McGuire. Supply stop valve shall be certified by CSA or other recognized testing authority and bear manufacturer and testing mark. Stop to be certified to 200 psi line pressure.



**WARNING:**

This product can expose you to chemicals including lead, which is known to the State of California to cause cancer, and birth defects or other reproductive harm. For more information go to [www.P65Warnings.ca.gov](http://www.P65Warnings.ca.gov).



**McGuire Manufacturing Co., Inc.**

60 Grandview Court

Cheshire, Connecticut 06410

(203) 699-1801 Fax (203) 699-1813

customerservice@mcguiremfg.com mcguiremfg.com

**PRODUCT SPECIFICATION**

**Part No.**

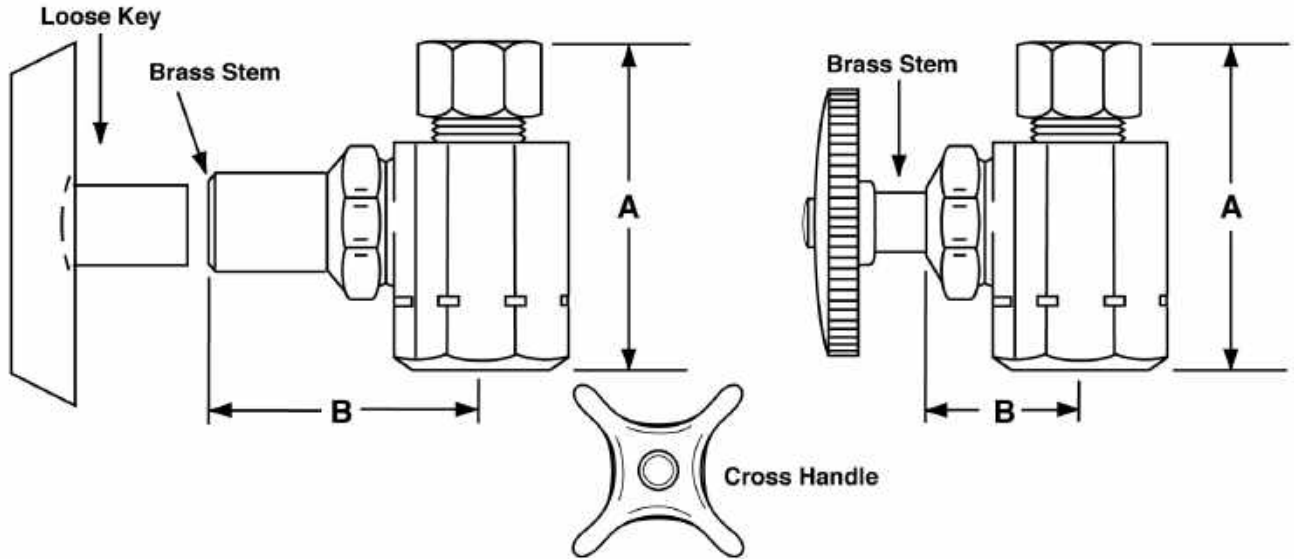
**LFST13LK**

**Straight Supply Stop  
I.P.S. x O.D.**

**Job Name:**

**Submittal Number:**

# Pipe To Compression



NO.	DESCRIPTION	ROUGHING MEASUREMENTS	
		A	B
LFST13LK	3/8" I.P.S. x 1/2" O.D.	1-15/16"	1-5/8"

- Rated Operating Pressure: 20-125 PSI
- Rated Operating Temperature: 40-140°F
- Note: 180°F max. during temporary high-temperature system flush

**LK** designates *Loose Key*

**X** designates *Heavy Brass Cross Handle*

See options and accessories section for details on product variations.



## Specifications:

Chrome plated brass, Supply Valve with full turn brass stem. Inlet shall be (3/8, 1/2) inch (IPS, sweat, compression). Outlet shall be (3/8, 1/2) inch (IPS, compression). Supply stop valve shall be McGuire. Supply stop valve shall be certified by CSA or other recognized testing authority and bear manufacturer and testing mark. Stop to be certified to 200 psi line pressure.



**WARNING:**

This product can expose you to chemicals including lead, which is known to the State of California to cause cancer, and birth defects or other reproductive harm. For more information go to [www.P65Warnings.ca.gov](http://www.P65Warnings.ca.gov).



**McGuire Manufacturing Co., Inc.**

60 Grandview Court

Cheshire, Connecticut 06410

(203) 699-1801 Fax (203) 699-1813

customerservice@mcguiremfg.com mcguiremfg.com

**PRODUCT SPECIFICATION**

**Part No.**

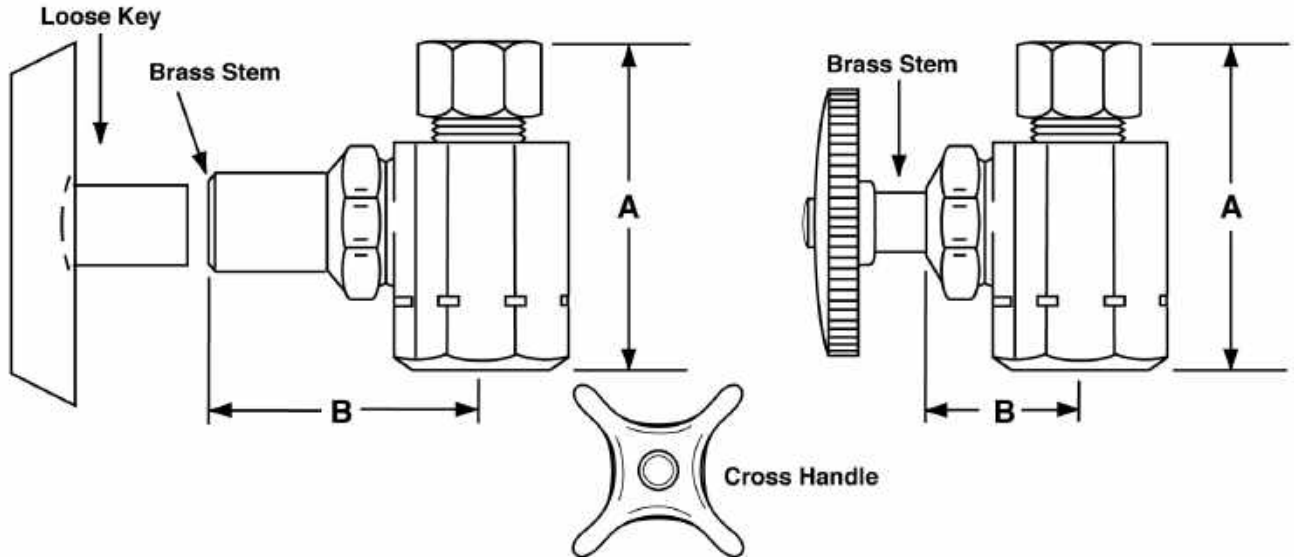
**LFST13X**

**Straight Supply Stop  
I.P.S. x O.D.**

**Job Name:**

**Submittal Number:**

## Pipe To Compression



NO.	DESCRIPTION	ROUGHING MEASUREMENTS	
		A	B
LFST13X	3/8" I.P.S. x 1/2" O.D.	1-15/16"	7/8"

- Rated Operating Pressure: 20-125 PSI
- Rated Operating Temperature: 40-140°F
- Note: 180°F max. during temporary high-temperature system flush

**LK** designates *Loose Key*

**X** designates *Heavy Brass Cross Handle*

See options and accessories section for details on product variations.



ASME A112.18.1

## Specifications:

Chrome plated brass, Supply Stop Valve with full turn brass stem. Inlet shall be (3/8, 1/2) inch (IPS, sweat, compression). Outlet shall be (3/8, 1/2) inch (IPS, compression). Supply stop valve shall be McGuire. Supply stop valve shall be certified by CSA or other recognized testing authority and bear manufacturer and testing mark. Stop to be certified to 200 psi line pressure.



**WARNING:**

This product can expose you to chemicals including lead, which is known to the State of California to cause cancer, and birth defects or other reproductive harm. For more information go to [www.P65Warnings.ca.gov](http://www.P65Warnings.ca.gov).



**McGuire Manufacturing Co., Inc.**

60 Grandview Court

Cheshire, Connecticut 06410

(203) 699-1801 Fax (203) 699-1813

customerservice@mcguiremfg.com mcguiremfg.com

**PRODUCT SPECIFICATION**

**Part No.**

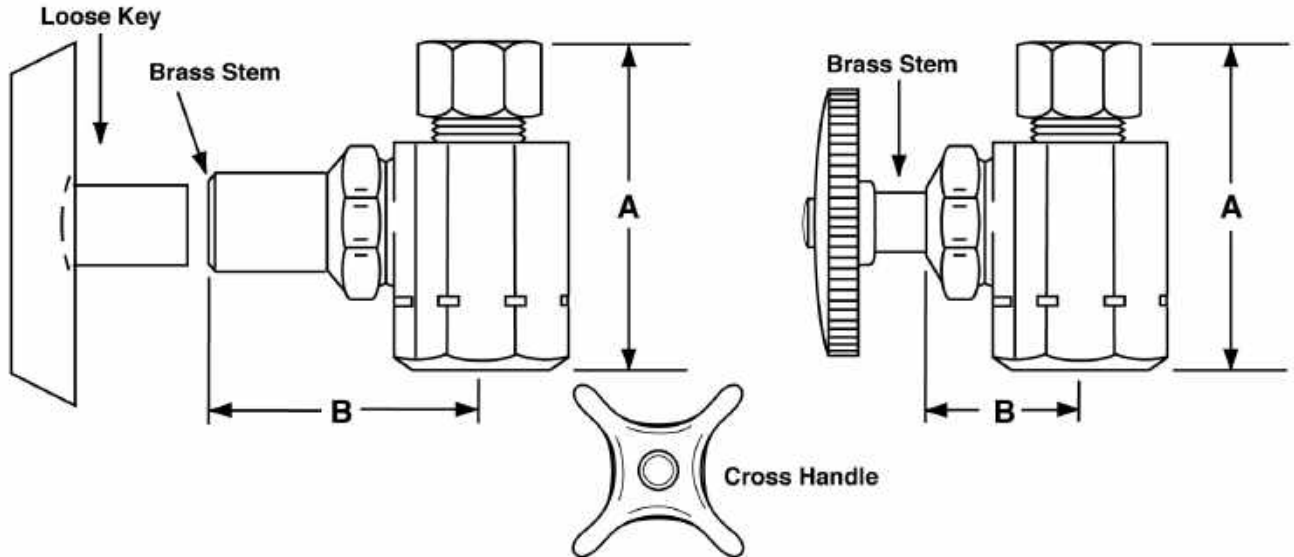
**LFST14**

**Straight Supply Stop  
I.P.S. x O.D.**

**Job Name:**

**Submittal Number:**

## Pipe To Compression



NO.	DESCRIPTION	ROUGHING MEASUREMENTS	
		A	B
LFST14	1/2" I.P.S. x 1/2" O.D.	1-15/16"	7/8"

- Rated Operating Pressure: 20-125 PSI
- Rated Operating Temperature: 40-140°F
- Note: 180°F max. during temporary high-temperature system flush

**LK** designates *Loose Key*

**X** designates *Heavy Brass Cross Handle*

See options and accessories section for details on product variations.



## Specifications:

Chrome plated brass, Supply Stop Valve with full turn brass stem. Inlet shall be (3/8, 1/2) inch (IPS, sweat, compression). Outlet shall be (3/8, 1/2) inch (IPS, compression). Supply stop valve shall be McGuire. Supply stop valve shall be certified by CSA or other recognized testing authority and bear manufacturer and testing mark. Stop to be certified to 200 psi line pressure.



**WARNING:**

This product can expose you to chemicals including lead, which is known to the State of California to cause cancer, and birth defects or other reproductive harm. For more information go to [www.P65Warnings.ca.gov](http://www.P65Warnings.ca.gov).



**McGuire Manufacturing Co., Inc.**

60 Grandview Court

Cheshire, Connecticut 06410

(203) 699-1801 Fax (203) 699-1813

customerservice@mcguiremfg.com mcguiremfg.com

**PRODUCT SPECIFICATION**

**Part No.**

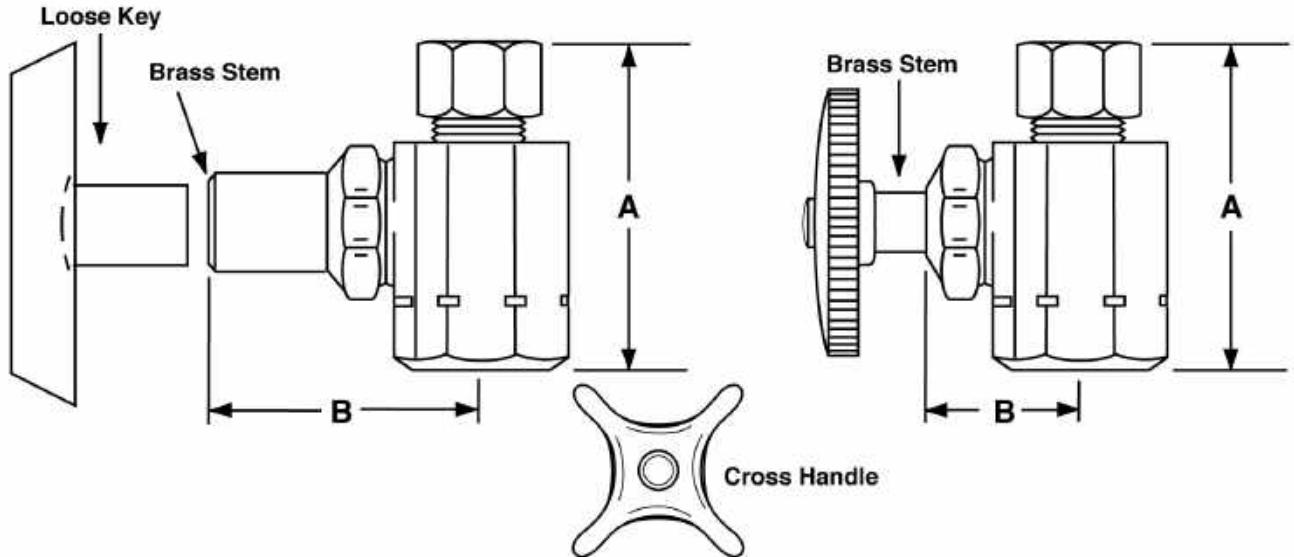
**LFST14LK**

**Straight Supply Stop  
I.P.S. x O.D.**

**Job Name:**

**Submittal Number:**

# Pipe To Compression



NO.	DESCRIPTION	ROUGHING MEASUREMENTS	
		A	B
LFST14LK	1/2" I.P.S. x 1/2" O.D.	1-15/16"	1-5/8"

- Rated Operating Pressure: 20-125 PSI
- Rated Operating Temperature: 40-140°F
- Note: 180°F max. during temporary high-temperature system flush

**LK** designates *Loose Key*

**X** designates *Heavy Brass Cross Handle*

See options and accessories section for details on product variations.



## Specifications:

Chrome plated brass, Supply Stop Valve with full turn brass stem. Inlet shall be (3/8, 1/2) inch (IPS, sweat, compression). Outlet shall be (3/8, 1/2) inch (IPS, compression). Supply stop valve shall be McGuire. Supply stop valve shall be certified by CSA or other recognized testing authority and bear manufacturer and testing mark. Stop to be certified to 200 psi line pressure.



### WARNING:

This product can expose you to chemicals including lead, which is known to the State of California to cause cancer, and birth defects or other reproductive harm. For more information go to [www.P65Warnings.ca.gov](http://www.P65Warnings.ca.gov).



**McGuire Manufacturing Co., Inc.**

60 Grandview Court

Cheshire, Connecticut 06410

(203) 699-1801 Fax (203) 699-1813

customerservice@mcguiremfg.com mcguiremfg.com

**PRODUCT SPECIFICATION**

**Part No.**

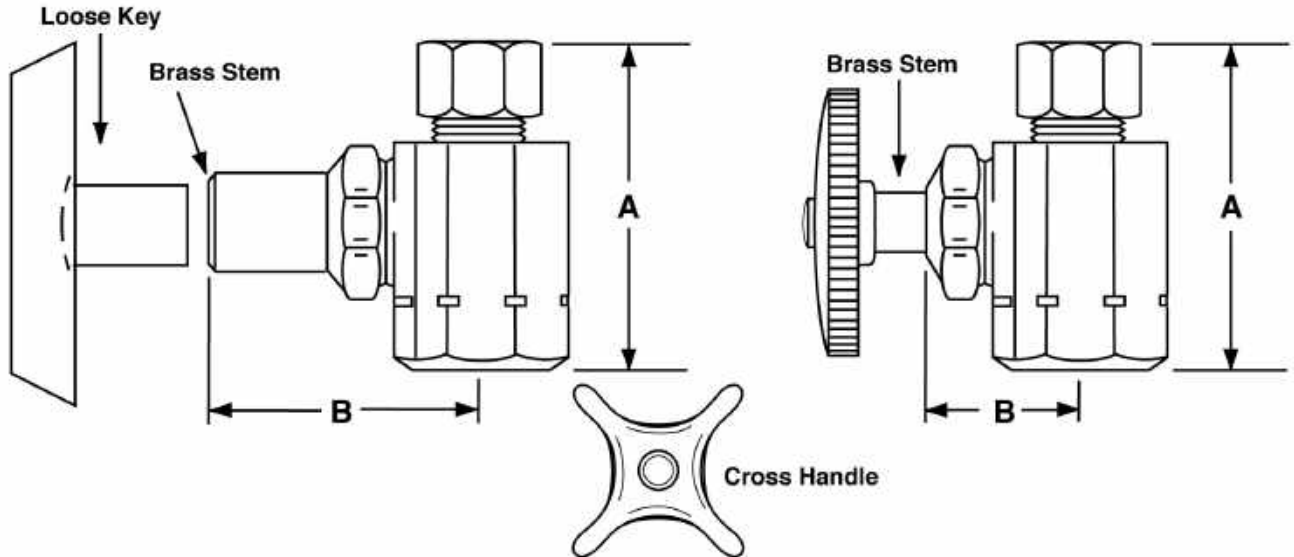
**LFST14X**

**Straight Supply Stop  
I.P.S. x O.D.**

**Job Name:**

**Submittal Number:**

## Pipe To Compression



NO.	DESCRIPTION	ROUGHING MEASUREMENTS	
		A	B
LFST14X	1/2" I.P.S. x 1/2" O.D.	1-15/16"	7/8"

- Rated Operating Pressure: 20-125 PSI
- Rated Operating Temperature: 40-140°F
- Note: 180°F max. during temporary high-temperature system flush

**LK** designates *Loose Key*

**X** designates *Heavy Brass Cross Handle*

See options and accessories section for details on product variations.



## Specifications:

Chrome plated brass, Supply Stop Valve with full turn brass stem. Inlet shall be (3/8, 1/2) inch (IPS, sweat, compression). Outlet shall be (3/8, 1/2) inch (IPS, compression). Supply stop valve shall be McGuire. Supply stop valve shall be certified by CSA or other recognized testing authority and bear manufacturer and testing mark. Stop to be certified to 200 psi line pressure.



**WARNING:**

This product can expose you to chemicals including lead, which is known to the State of California to cause cancer, and birth defects or other reproductive harm. For more information go to [www.P65Warnings.ca.gov](http://www.P65Warnings.ca.gov).



**McGuire Manufacturing Co., Inc.**

60 Grandview Court

Cheshire, Connecticut 06410

(203) 699-1801 Fax (203) 699-1813

customerservice@mcguiremfg.com mcguiremfg.com

**PRODUCT SPECIFICATION**

**Part No.**

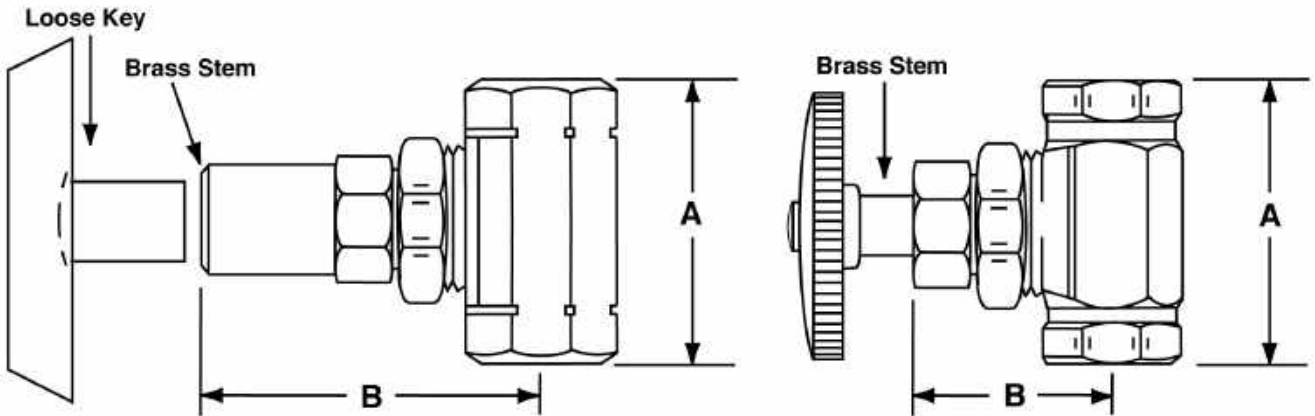
**LFST15LKSB**

**Straight Supply Stop  
I.P.S. x I.P.S.**

**Job Name:**

**Submittal Number:**

## Pipe to Pipe with Stuffing Box



NO.	DESCRIPTION	ROUGHING MEASUREMENTS	
		A	B
LFST15LKSB	3/8" I.P.S. x 3/8" I.P.S.	1-3/4"	1-3/4"

- Rated Operating Pressure: 20-125 PSI
- Rated Operating Temperature: 40-140°F
- Note: 180°F max. during temporary high-temperature system flush

**SB** designates *Stuffing Box*

**LK** designates *Loose Key*

See options and accessories section for details on product variations.



### Specifications:

Chrome plated brass, supply stop valve with full turn brass stem. Inlet shall be (3/8, 1/2) inch (IPS, sweat, compression). Outlet shall be (3/8, 1/2) inch (IPS, compression). Supply stop valve shall be McGuire \_\_\_\_\_ . Supply stop valve shall be certified by recognized testing authority and bear manufacturer and testing mark.



**WARNING:**

This product can expose you to chemicals including lead, which is known to the State of California to cause cancer, and birth defects or other reproductive harm. For more information go to [www.P65Warnings.ca.gov](http://www.P65Warnings.ca.gov).



**McGuire Manufacturing Co., Inc.**

60 Grandview Court

Cheshire, Connecticut 06410

(203) 699-1801 Fax (203) 699-1813

customerservice@mcguiremfg.com mcguiremfg.com

**PRODUCT SPECIFICATION**

**Part No.**

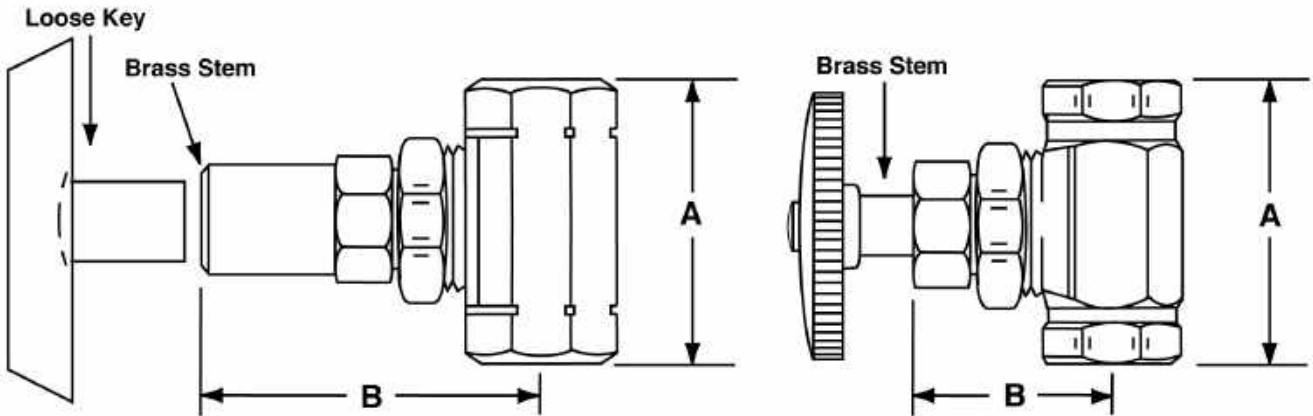
**LFST15SB**

**Straight Supply Stop  
I.P.S. x I.P.S.**

**Job Name:**

**Submittal Number:**

# Pipe to Pipe with Stuffing Box



NO.	DESCRIPTION	ROUGHING MEASUREMENTS	
		A	B
LFST15SB	3/8" I.P.S. x 3/8" I.P.S.	1-3/4"	1-1/4"

- Rated Operating Pressure: 20-125 PSI
- Rated Operating Temperature: 40-140°F
- Note: 180°F max. during temporary high-temperature system flush

**SB** designates *Stuffing Box*

**LK** designates *Loose Key*

See options and accessories section for details on product variations.



## Specifications:

Chrome plated brass, supply stop valve with full turn brass stem. Inlet shall be (3/8, 1/2) inch (IPS, sweat, compression). Outlet shall be (3/8, 1/2) inch (IPS, compression). Supply stop valve shall be McGuire \_\_\_\_\_ . Supply stop valve shall be certified by recognized testing authority and bear manufacturer and testing mark.



This product can expose you to chemicals including lead, which is known to the State of California to cause cancer, and birth defects or other reproductive harm. For more information go to [www.P65Warnings.ca.gov](http://www.P65Warnings.ca.gov).





**McGuire Manufacturing Co., Inc.**

60 Grandview Court

Cheshire, Connecticut 06410

(203) 699-1801 Fax (203) 699-1813

customerservice@mcguiremfg.com mcguiremfg.com

**PRODUCT SPECIFICATION**

**Part No.**

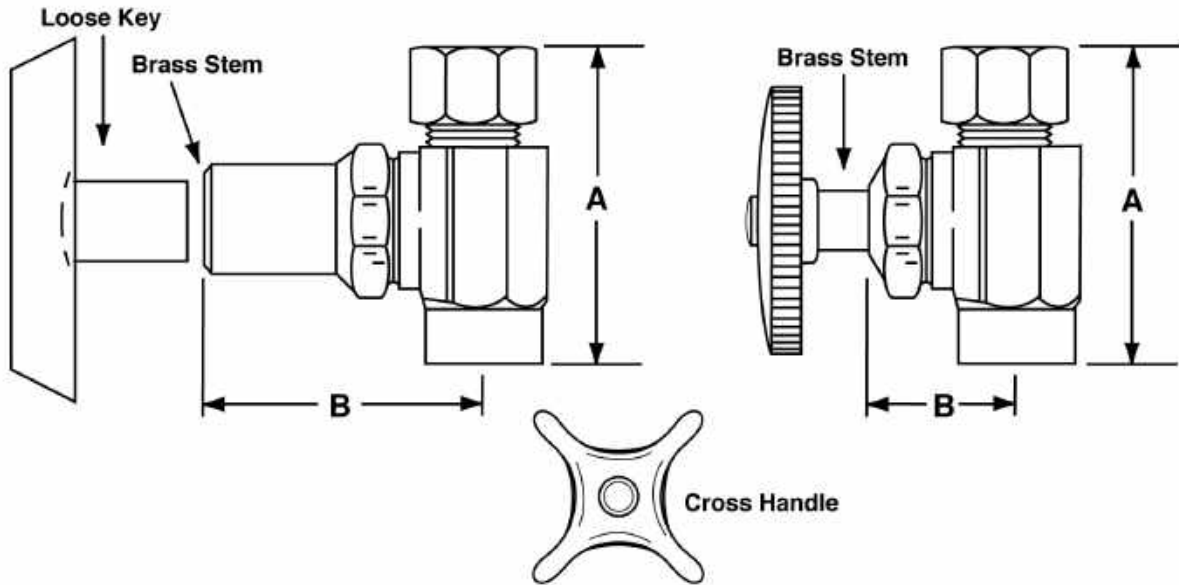
**LFST16**

**Straight Supply Stop  
Copper Sweat x O.D.**

**Job Name:**

**Submittal Number:**

## Sweat to Compression



NO.	DESCRIPTION	ROUGHING MEASUREMENTS	
		A	B
LFST16	1/2" Copper Sweat x 3/8" O.D.	1-7/8"	3/4"

- Rated Operating Pressure: 20-125 PSI
- Rated Operating Temperature: 40-140°F
- Note: 180°F max. during temporary high-temperature system flush

**LK** designates *Loose Key*

**X** designates *Heavy Brass Cross Handle*

See options and accessories section for details on product variations.



### Specifications:

Chrome plated brass, supply stop valve with full turn brass stem. Inlet shall be (3/8, 1/2) inch (IPS, compression). Outlet shall be (3/8, 1/2) inch (IPS, compression). Supply stop valve shall be McGuire \_\_\_\_\_ . Supply stop valve shall be certified by recognized testing authority and bear manufacturer and testing mark.



**WARNING:**

This product can expose you to chemicals including lead, which is known to the State of California to cause cancer, and birth defects or other reproductive harm. For more information go to [www.P65Warnings.ca.gov](http://www.P65Warnings.ca.gov).



**McGuire Manufacturing Co., Inc.**

60 Grandview Court

Cheshire, Connecticut 06410

(203) 699-1801 Fax (203) 699-1813

customerservice@mcguiremfg.com mcguiremfg.com

**PRODUCT SPECIFICATION**

**Part No.**

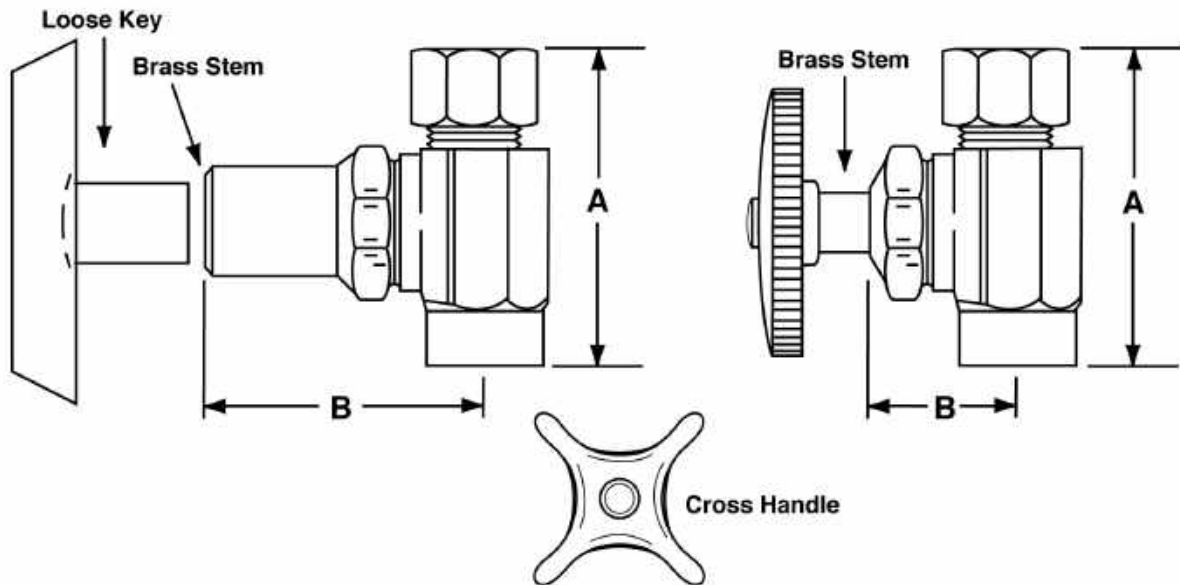
**LFST16LK**

**Straight Supply Stop  
Copper Sweat x O.D.**

**Job Name:**

**Submittal Number:**

## Sweat to Compression



NO.	DESCRIPTION	ROUGHING MEASUREMENTS	
		A	B
LFST16LK	1/2" Copper Sweat x 3/8" O.D.	1-7/8"	1-5/8"

- Rated Operating Pressure: 20-125 PSI
- Rated Operating Temperature: 40-140°F
- Note: 180°F max. during temporary high-temperature system flush

**LK** designates *Loose Key*

**X** designates *Heavy Brass Cross Handle*

See options and accessories section for details on product variations.



### Specifications:

Chrome plated brass, supply stop valve with full turn brass stem. Inlet shall be (3/8, 1/2) inch (IPS, compression). Outlet shall be (3/8, 1/2) inch (IPS, compression). Supply stop valve shall be McGuire \_\_\_\_\_ . Supply stop valve shall be certified by recognized testing authority and bear manufacturer and testing mark.



**WARNING:**

This product can expose you to chemicals including lead, which is known to the State of California to cause cancer, and birth defects or other reproductive harm. For more information go to [www.P65Warnings.ca.gov](http://www.P65Warnings.ca.gov).



**McGuire Manufacturing Co., Inc.**

60 Grandview Court

Cheshire, Connecticut 06410

(203) 699-1801 Fax (203) 699-1813

customerservice@mcguiremfg.com mcguiremfg.com

**PRODUCT SPECIFICATION**

**Part No.**

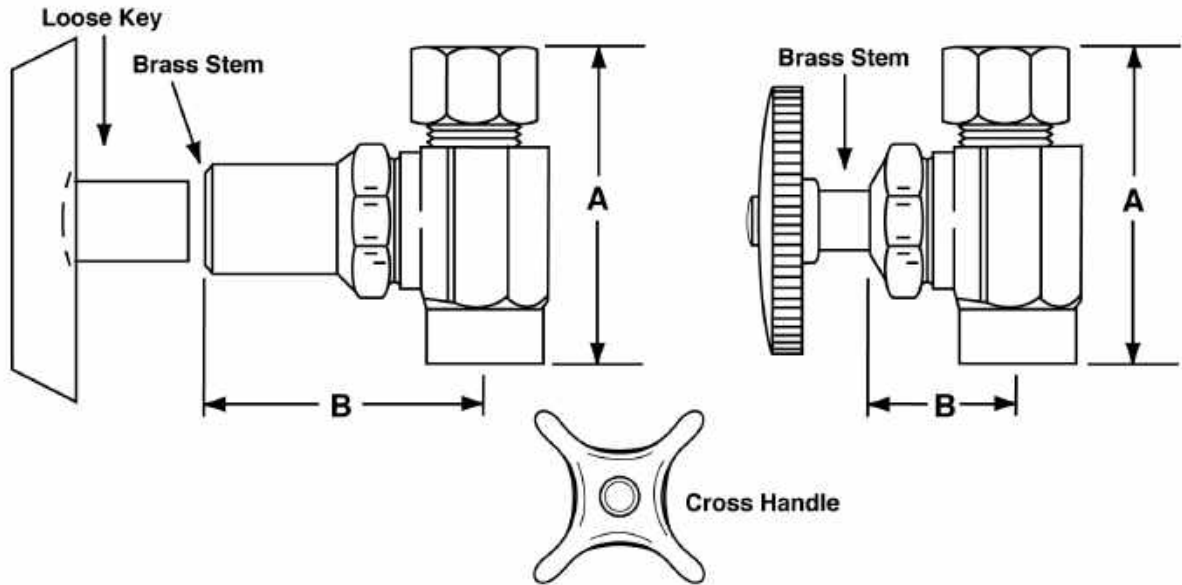
**LFST16X**

**Straight Supply Stop  
Copper Sweat x O.D.**

**Job Name:**

**Submittal Number:**

## Sweat to Compression



NO.	DESCRIPTION	ROUGHING MEASUREMENTS	
		A	B
LFST16X	1/2" Copper Sweat x 3/8" O.D.	1-7/8"	3/4"

- Rated Operating Pressure: 20-125 PSI
- Rated Operating Temperature: 40-140°F
- Note: 180°F max. during temporary high-temperature system flush

**LK** designates *Loose Key*

**X** designates *Heavy Brass Cross Handle*

See options and accessories section for details on product variations.



### Specifications:

Chrome plated brass, supply stop valve with full turn brass stem. Inlet shall be (3/8, 1/2) inch (IPS, compression). Outlet shall be (3/8, 1/2) inch (IPS, compression). Supply stop valve shall be McGuire \_\_\_\_\_ . Supply stop valve shall be certified by recognized testing authority and bear manufacturer and testing mark.



**WARNING:**

This product can expose you to chemicals including lead, which is known to the State of California to cause cancer, and birth defects or other reproductive harm. For more information go to [www.P65Warnings.ca.gov](http://www.P65Warnings.ca.gov).



**McGuire Manufacturing Co., Inc.**

60 Grandview Court

Cheshire, Connecticut 06410

(203) 699-1801 Fax (203) 699-1813

customerservice@mcguiremfg.com mcguiremfg.com

**PRODUCT SPECIFICATION**

**Part No.**

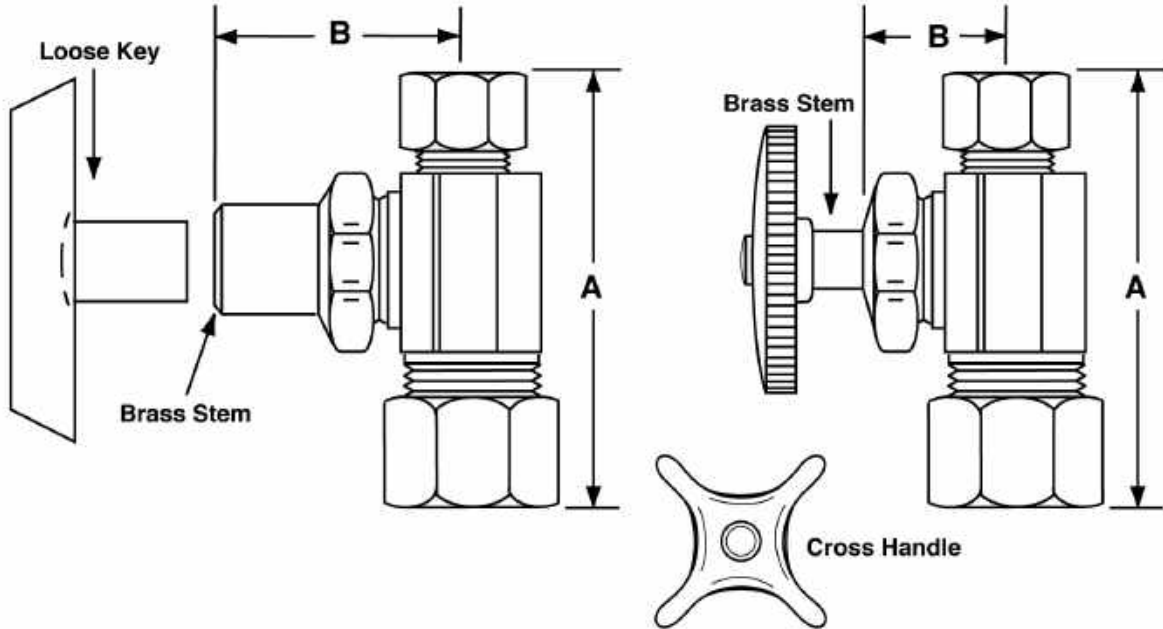
**LFST17X**

**Straight Supply Stop  
Nominal x O.D.**

**Job Name:**

**Submittal Number:**

# Compression to Compression



NO.	DESCRIPTION	ROUGHING MEASUREMENTS	
		A	B
LFST17X	1/2" Nominal x 3/8" O.D.	2-1/4"	7/8"

- Rated Operating Pressure: 20-125 PSI
- Rated Operating Temperature: 40-140°F
- Note: 180°F max. during temporary high-temperature system flush

**LK** designates *Loose Key*

**X** designates *Heavy Brass Cross Handle*

See options and accessories section for details on product variations.



## Specifications:

Chrome plated brass, supply stop valve with full turn brass stem. Inlet shall be (3/8, 1/2) inch (IPS, sweat, compression). Outlet shall be (3/8, 1/2) inch (IPS, compression). Supply stop valve shall be McGuire \_\_\_\_\_ . Supply stop valve shall be certified by recognized testing authority and bear manufacturer and testing mark.



### WARNING:

This product can expose you to chemicals including lead, which is known to the State of California to cause cancer, and birth defects or other reproductive harm. For more information go to [www.P65Warnings.ca.gov](http://www.P65Warnings.ca.gov).



**McGuire Manufacturing Co., Inc.**

60 Grandview Court

Cheshire, Connecticut 06410

(203) 699-1801 Fax (203) 699-1813

customerservice@mcguiremfg.com mcguiremfg.com

**PRODUCT SPECIFICATION**

**Part No.**

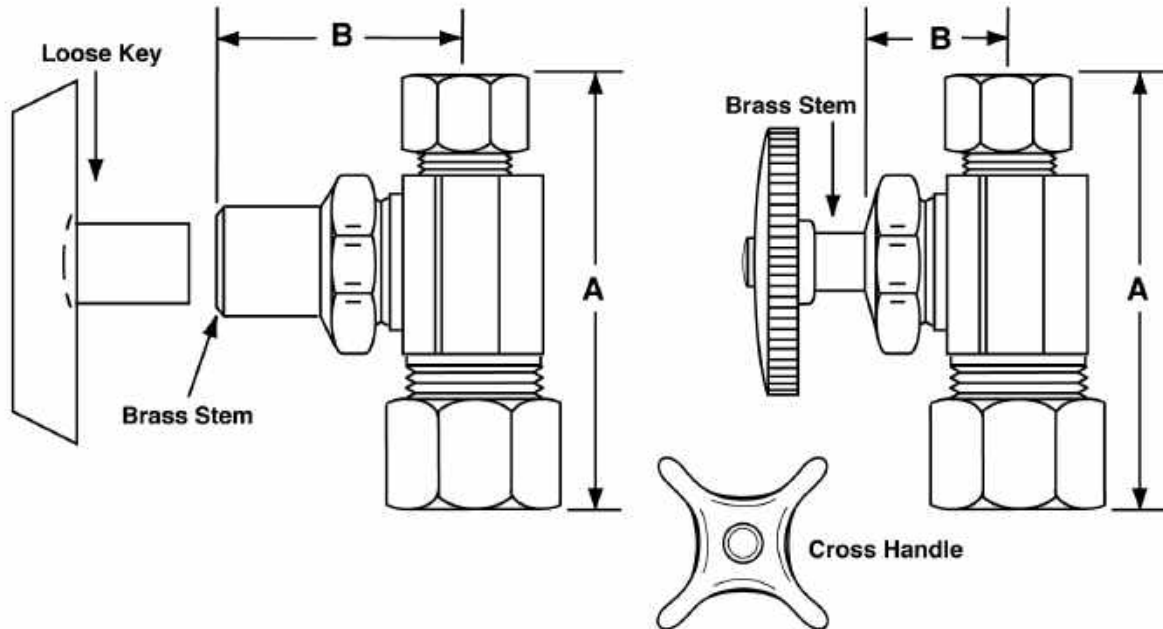
**LFST18**

**Straight Supply Stop  
Nominal x O.D.**

**Job Name:**

**Submittal Number:**

# Compression to Compression



NO.	DESCRIPTION	ROUGHING MEASUREMENTS	
		A	B
LFST18	1/2" Nominal x 1/2" O.D.	2-1/4"	7/8"

- Rated Operating Pressure: 20-125 PSI
- Rated Operating Temperature: 40-140°F
- Note: 180°F max. during temporary high-temperature system flush

**LK** designates *Loose Key*

**X** designates *Heavy Brass Cross Handle*

See options and accessories section for details on product variations.



## Specifications:

Chrome plated brass, supply stop valve with full turn brass stem. Inlet shall be (3/8, 1/2) inch (IPS, sweat, compression). Outlet shall be (3/8, 1/2) inch (IPS, compression). Supply stop valve shall be McGuire \_\_\_\_\_ . Supply stop valve shall be certified by recognized testing authority and bear manufacturer and testing mark.



### WARNING:

This product can expose you to chemicals including lead, which is known to the State of California to cause cancer, and birth defects or other reproductive harm. For more information go to [www.P65Warnings.ca.gov](http://www.P65Warnings.ca.gov).



**McGuire Manufacturing Co., Inc.**

60 Grandview Court

Cheshire, Connecticut 06410

(203) 699-1801 Fax (203) 699-1813

customerservice@mcguiremfg.com mcguiremfg.com

**PRODUCT SPECIFICATION**

**Part No.**

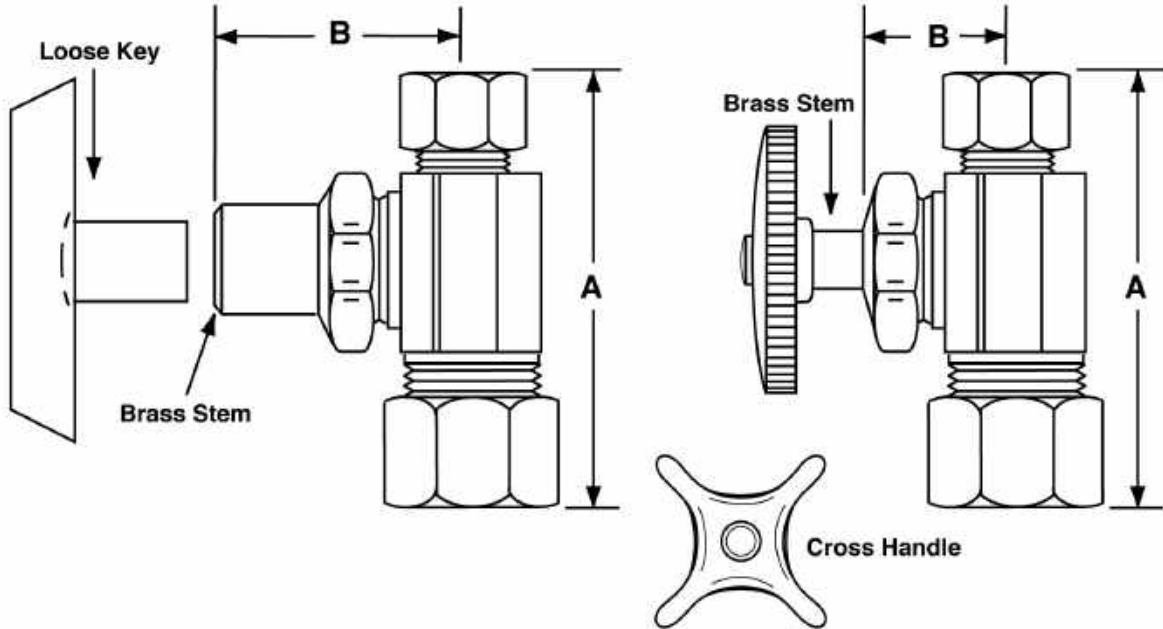
**LFST18LK**

**Straight Supply Stop  
Nominal x O.D.**

**Job Name:**

**Submittal Number:**

# Compression to Compression



NO.	DESCRIPTION	ROUGHING MEASUREMENTS	
		A	B
LFST18LK	1/2" Nominal x 1/2" O.D.	2-1/4"	1-3/4"

- Rated Operating Pressure: 20-125 PSI
- Rated Operating Temperature: 40-140°F
- Note: 180°F max. during temporary high-temperature system flush

**LK** designates *Loose Key*

**X** designates *Heavy Brass Cross Handle*

See options and accessories section for details on product variations.



## Specifications:

Chrome plated brass, supply stop valve with full turn brass stem. Inlet shall be (3/8, 1/2) inch (IPS, sweat, compression). Outlet shall be (3/8, 1/2) inch (IPS, compression). Supply stop valve shall be McGuire \_\_\_\_\_ . Supply stop valve shall be certified by recognized testing authority and bear manufacturer and testing mark.



**WARNING:**  
This product can expose you to chemicals including lead, which is known to the State of California to cause cancer, and birth defects or other reproductive harm. For more information go to [www.P65Warnings.ca.gov](http://www.P65Warnings.ca.gov).



**McGuire Manufacturing Co., Inc.**

60 Grandview Court

Cheshire, Connecticut 06410

(203) 699-1801 Fax (203) 699-1813

customerservice@mcguiremfg.com mcguiremfg.com

**PRODUCT SPECIFICATION**

**Part No.**

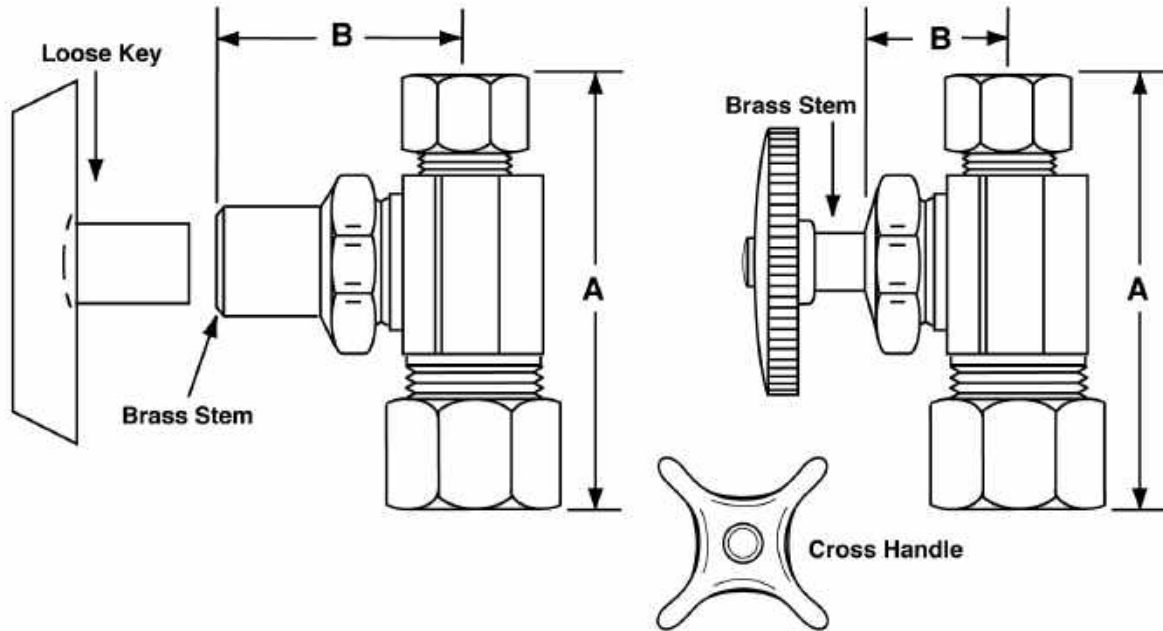
**LFST18X**

**Straight Supply Stop  
Nominal x O.D.**

**Job Name:**

**Submittal Number:**

# Compression to Compression



NO.	DESCRIPTION	ROUGHING MEASUREMENTS	
		A	B
LFST18X	1/2" Nominal x 1/2" O.D.	2-1/4"	7/8"

- Rated Operating Pressure: 20-125 PSI
- Rated Operating Temperature: 40-140°F
- Note: 180°F max. during temporary high-temperature system flush

**LK** designates *Loose Key*

**X** designates *Heavy Brass Cross Handle*

See options and accessories section for details on product variations.



## Specifications:

Chrome plated brass, supply stop valve with full turn brass stem. Inlet shall be (3/8, 1/2) inch (IPS, sweat, compression). Outlet shall be (3/8, 1/2) inch (IPS, compression). Supply stop valve shall be McGuire \_\_\_\_\_ . Supply stop valve shall be certified by recognized testing authority and bear manufacturer and testing mark.



### WARNING:

This product can expose you to chemicals including lead, which is known to the State of California to cause cancer, and birth defects or other reproductive harm. For more information go to [www.P65Warnings.ca.gov](http://www.P65Warnings.ca.gov).



**McGuire Manufacturing Co., Inc.**

60 Grandview Court

Cheshire, Connecticut 06410

(203) 699-1801 Fax (203) 699-1813

customerservice@mcguiremfg.com mcguiremfg.com

**PRODUCT SPECIFICATION**

**Part No.**

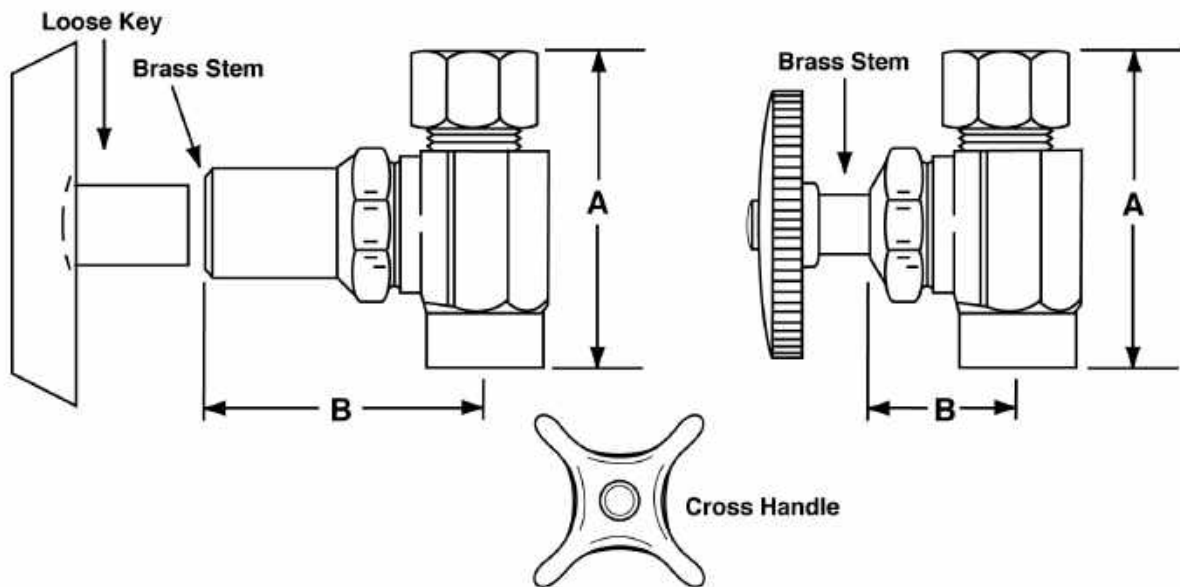
**LFST19**

**Straight Supply Stop  
Copper Sweat x O.D.**

**Job Name:**

**Submittal Number:**

## Sweat to Compression



NO.	DESCRIPTION	ROUGHING MEASUREMENTS	
		A	B
LFST19	1/2" Copper Sweat x 1/2" O.D.	1-7/8"	3/4"

- Rated Operating Pressure: 20-125 PSI
- Rated Operating Temperature: 40-140°F
- Note: 180°F max. during temporary high-temperature system flush

**LK** designates *Loose Key*

**X** designates *Heavy Brass Cross Handle*

See options and accessories section for details on product variations.



### Specifications:

Chrome plated brass, supply stop valve with full turn brass stem. Inlet shall be (3/8, 1/2) inch (IPS, compression). Outlet shall be (3/8, 1/2) inch (IPS, compression). Supply stop valve shall be McGuire \_\_\_\_\_ . Supply stop valve shall be certified by recognized testing authority and bear manufacturer and testing mark.



**WARNING:**

This product can expose you to chemicals including lead, which is known to the State of California to cause cancer, and birth defects or other reproductive harm. For more information go to [www.P65Warnings.ca.gov](http://www.P65Warnings.ca.gov).





**McGuire Manufacturing Co., Inc.**

60 Grandview Court

Cheshire, Connecticut 06410

(203) 699-1801 Fax (203) 699-1813

customerservice@mcguiremfg.com mcguiremfg.com

**PRODUCT SPECIFICATION**

**Part No.**

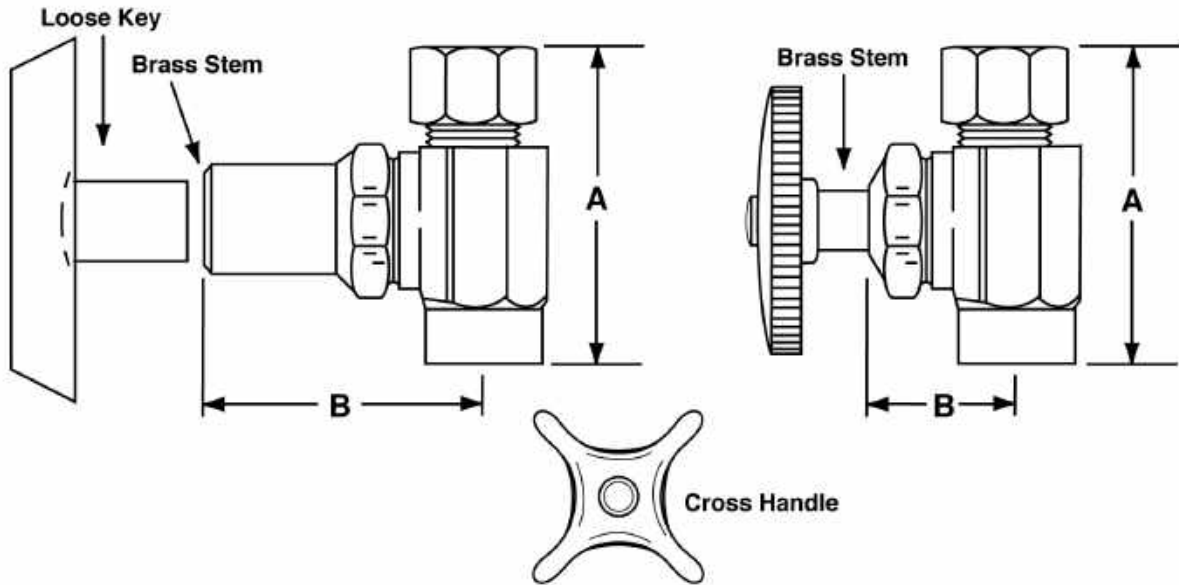
**LFST19LK**

**Straight Supply Stop  
Copper Sweat x O.D.**

**Job Name:**

**Submittal Number:**

## Sweat to Compression



NO.	DESCRIPTION	ROUGHING MEASUREMENTS	
		A	B
LFST19LK	1/2" Copper Sweat x 1/2" O.D.	1-7/8"	1-3/4"

- Rated Operating Pressure: 20-125 PSI
- Rated Operating Temperature: 40-140°F
- Note: 180°F max. during temporary high-temperature system flush

**LK** designates *Loose Key*

**X** designates *Heavy Brass Cross Handle*

See options and accessories section for details on product variations.



### Specifications:

Chrome plated brass, supply stop valve with full turn brass stem. Inlet shall be (3/8, 1/2) inch (IPS, compression). Outlet shall be (3/8, 1/2) inch (IPS, compression). Supply stop valve shall be McGuire \_\_\_\_\_ . Supply stop valve shall be certified by recognized testing authority and bear manufacturer and testing mark.



**WARNING:**

This product can expose you to chemicals including lead, which is known to the State of California to cause cancer, and birth defects or other reproductive harm. For more information go to [www.P65Warnings.ca.gov](http://www.P65Warnings.ca.gov).



**McGuire Manufacturing Co., Inc.**

60 Grandview Court

Cheshire, Connecticut 06410

(203) 699-1801 Fax (203) 699-1813

customerservice@mcguiremfg.com mcguiremfg.com

**PRODUCT SPECIFICATION**

**Part No.**

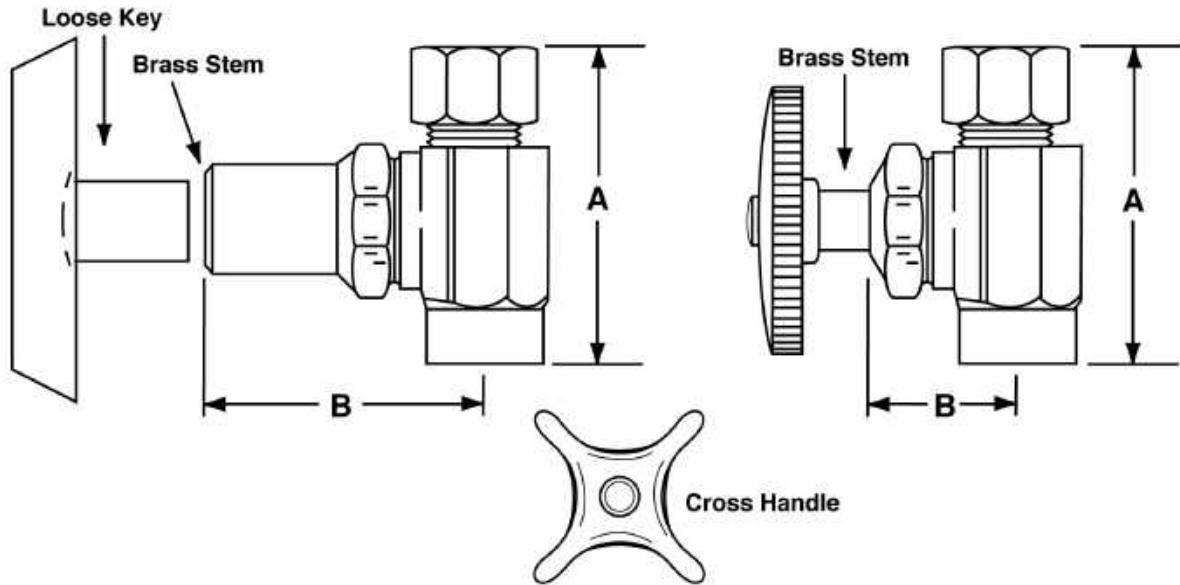
**LFST19X**

**Straight Supply Stop  
Copper Sweat x O.D.**

**Job Name:**

**Submittal Number:**

## Sweat to Compression



NO.	DESCRIPTION	ROUGHING MEASUREMENTS	
		A	B
LFST19X	1/2" Copper Sweat x 1/2" O.D.	1-7/8"	3/4"

- Rated Operating Pressure: 20-125 PSI
- Rated Operating Temperature: 40-140°F
- Note: 180°F max. during temporary high-temperature system flush

**LK** designates *Loose Key*

**X** designates *Heavy Brass Cross Handle*

See options and accessories section for details on product variations.



### Specifications:

Chrome plated brass, supply stop valve with full turn brass stem. Inlet shall be (3/8, 1/2) inch (IPS, compression). Outlet shall be (3/8, 1/2) inch (IPS, compression). Supply stop valve shall be McGuire \_\_\_\_\_ . Supply stop valve shall be certified by recognized testing authority and bear manufacturer and testing mark.



**WARNING:**

This product can expose you to chemicals including lead, which is known to the State of California to cause cancer, and birth defects or other reproductive harm. For more information go to [www.P65Warnings.ca.gov](http://www.P65Warnings.ca.gov).



**McGuire Manufacturing Co., Inc.**

60 Grandview Court  
Cheshire, Connecticut 06410  
(203) 699-1801 Fax (203) 699-1813  
customerservice@mcguiremfg.com mcguiremfg.com

**PRODUCT SPECIFICATION**

**Part No.**

**LFST082**

**Angle Supply Stop  
Copper Sweat x O.D.**

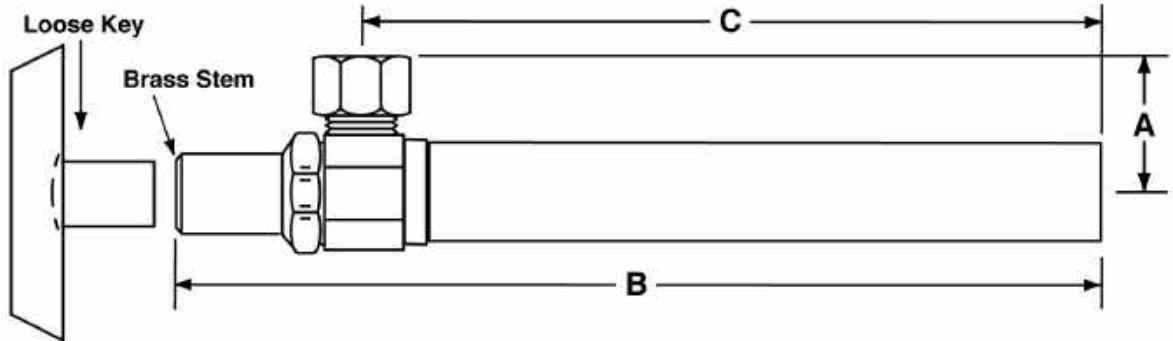
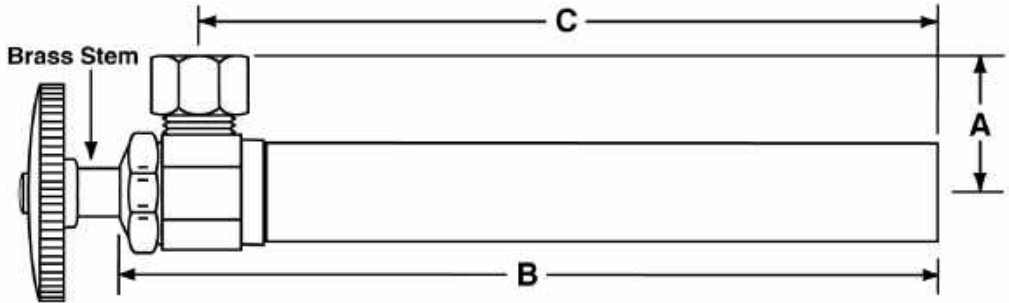
**Job Name:**

**Submittal Number:**

# Sweat with 5" Extension To Compression



Cross Handle



NO.	DESCRIPTION	ROUGHING MEASUREMENTS		
		A	B	C
LFST082	1/2" Copper Sweat x 3/8" O.D.	1"	6"	5-1/2"

- Rated Operating Pressure: 20-125 PSI
- Rated Operating Temperature: 40-140°F
- Note: 180°F max. during temporary high-temperature system flush

**LK** designates *Loose Key*

**X** designates *Heavy Brass Cross Handle*

See options and accessories section for details on product variations.



## Specifications:

Chrome plated brass, supply stop valve with full turn brass stem. Inlet shall be (3/8, 1/2) inch (IPS, sweat, compression). Outlet shall be (3/8, 1/2) inch (IPS, compression). Supply stop valve shall be McGuire \_\_\_\_\_ . Supply stop valve shall be certified by recognized authority and bear manufacturer and testing mark.



**WARNING:**

This product can expose you to chemicals including lead, which is known to the State of California to cause cancer, and birth defects or other reproductive harm. For more information go to [www.P65Warnings.ca.gov](http://www.P65Warnings.ca.gov).



**McGuire Manufacturing Co., Inc.**  
 60 Grandview Court  
 Cheshire, Connecticut 06410  
 (203) 699-1801 Fax (203) 699-1813  
 customerservice@mcguiremfg.com mcguiremfg.com

**PRODUCT SPECIFICATION**

**Part No.**

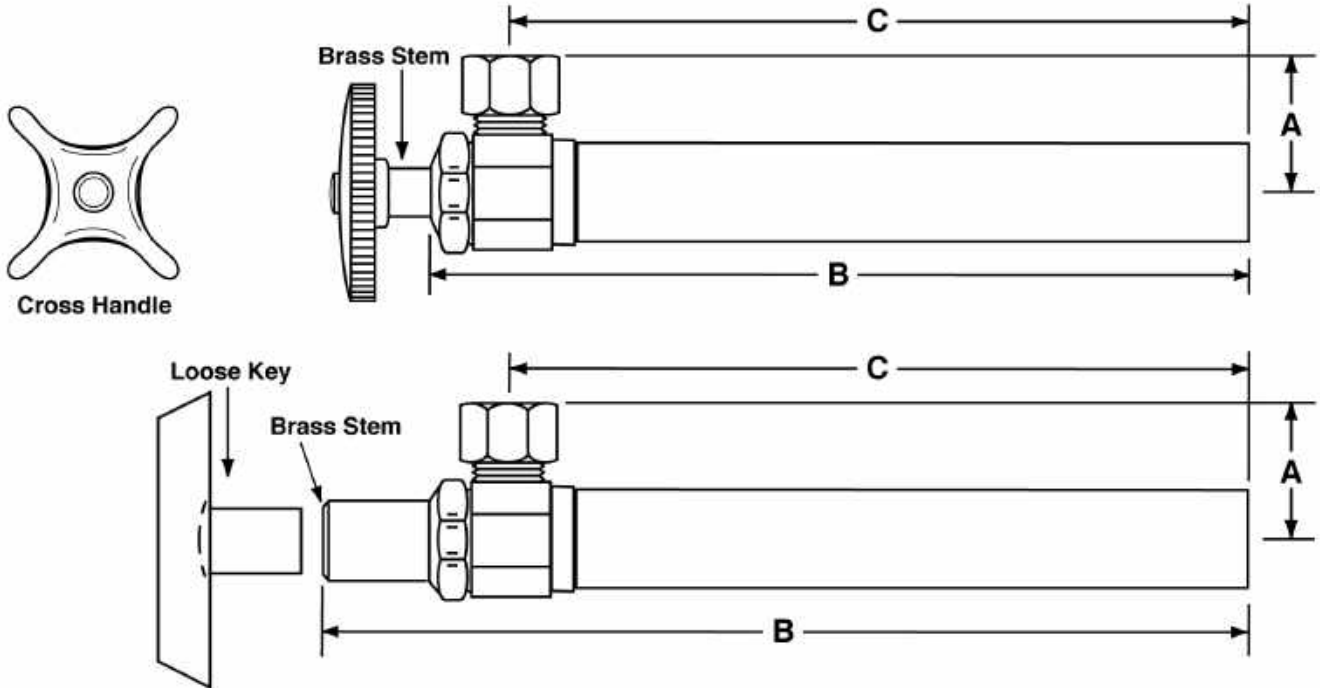
**LFST082LK**

**Angle Supply Stop  
 Copper Sweat x O.D.**

**Job Name:**

**Submittal Number:**

**Sweat with 5" Extension To Compression**



NO.	DESCRIPTION	ROUGHING MEASUREMENTS		
		A	B	C
LFST082LK	1/2" Copper Sweat x 3/8" O.D.	1"	6-7/8"	5-1/2"

- Rated Operating Pressure: 20-125 PSI
- Rated Operating Temperature: 40-140°F
- Note: 180°F max. during temporary high-temperature system flush

**LK** designates *Loose Key*

**X** designates *Heavy Brass Cross Handle*

See options and accessories section for details on product variations.



**Specifications:**

Chrome plated brass, supply stop valve with full turn brass stem. Inlet shall be (3/8, 1/2) inch (IPS, sweat, compression). Outlet shall be (3/8, 1/2) inch (IPS, compression). Supply stop valve shall be McGuire \_\_\_\_\_ . Supply stop valve shall be certified by recognized authority and bear manufacturer and testing mark.



**WARNING:**

This product can expose you to chemicals including lead, which is known to the State of California to cause cancer, and birth defects or other reproductive harm. For more information go to [www.P65Warnings.ca.gov](http://www.P65Warnings.ca.gov).



**McGuire Manufacturing Co., Inc.**

60 Grandview Court

Cheshire, Connecticut 06410

(203) 699-1801 Fax (203) 699-1813

customerservice@mcguiremfg.com mcguiremfg.com

**PRODUCT SPECIFICATION**

**Part No.**

**LFST082X**

**Angle Supply Stop  
Copper Sweat x O.D.**

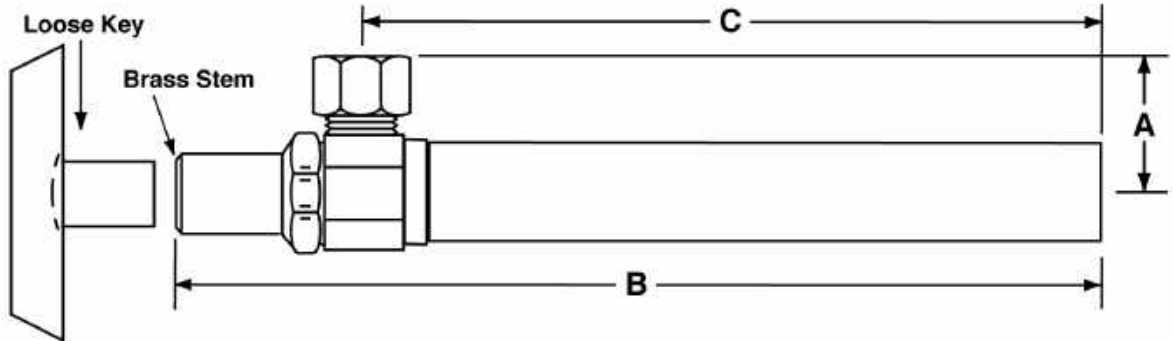
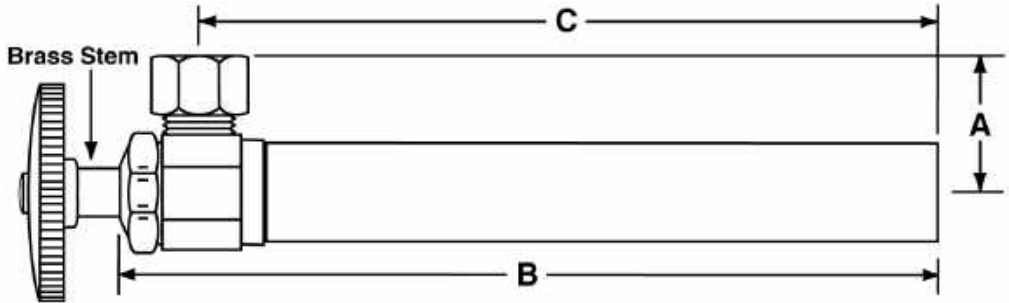
**Job Name:**

**Submittal Number:**

# Sweat with 5" Extension To Compression



**Cross Handle**



NO.	DESCRIPTION	ROUGHING MEASUREMENTS		
		A	B	C
LFST082X	1/2" Copper Sweat x 3/8" O.D.	1"	6"	5-1/2"

- Rated Operating Pressure: 20-125 PSI
- Rated Operating Temperature: 40-140°F
- Note: 180°F max. during temporary high-temperature system flush

**LK** designates *Loose Key*

**X** designates *Heavy Brass Cross Handle*

See options and accessories section for details on product variations.



## Specifications:

Chrome plated brass, supply stop valve with full turn brass stem. Inlet shall be (3/8, 1/2) inch (IPS, sweat, compression). Outlet shall be (3/8, 1/2) inch (IPS, compression). Supply stop valve shall be McGuire \_\_\_\_\_ . Supply stop valve shall be certified by recognized authority and bear manufacturer and testing mark.



**WARNING:**

This product can expose you to chemicals including lead, which is known to the State of California to cause cancer, and birth defects or other reproductive harm. For more information go to [www.P65Warnings.ca.gov](http://www.P65Warnings.ca.gov).



**McGuire Manufacturing Co., Inc.**

60 Grandview Court

Cheshire, Connecticut 06410

(203) 699-1801 Fax (203) 699-1813

customerservice@mcguiremfg.com mcguiremfg.com

**PRODUCT SPECIFICATION**

**Part No.**

**LFST084**

**Angle Supply Stop  
Copper Sweat x O.D.**

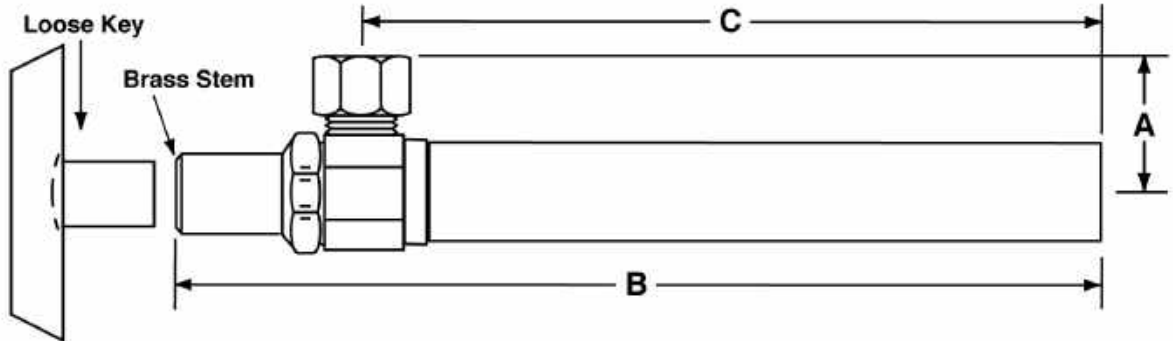
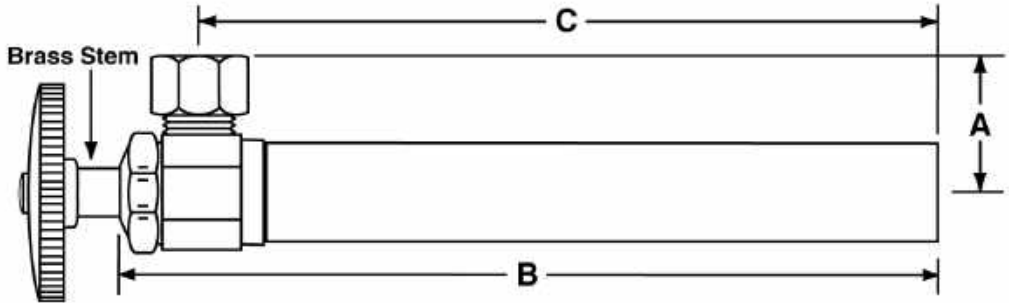
**Job Name:**

**Submittal Number:**

# Sweat with 5" Extension To Compression



**Cross Handle**



NO.	DESCRIPTION	ROUGHING MEASUREMENTS		
		A	B	C
LFST084	1/2" Copper Sweat x 1/2" O.D.	1-3/16"	6"	5-1/2"

- Rated Operating Pressure: 20-125 PSI
- Rated Operating Temperature: 40-140°F
- Note: 180°F max. during temporary high-temperature system flush

**LK** designates *Loose Key*

**X** designates *Heavy Brass Cross Handle*

See options and accessories section for details on product variations.



## Specifications:

Chrome plated brass, supply stop valve with full turn brass stem. Inlet shall be (3/8, 1/2) inch (IPS, sweat, compression). Outlet shall be (3/8, 1/2) inch (IPS, compression). Supply stop valve shall be McGuire \_\_\_\_\_ . Supply stop valve shall be certified by recognized authority and bear manufacturer and testing mark.



**WARNING:**

This product can expose you to chemicals including lead, which is known to the State of California to cause cancer, and birth defects or other reproductive harm. For more information go to [www.P65Warnings.ca.gov](http://www.P65Warnings.ca.gov).



**McGuire Manufacturing Co., Inc.**  
 60 Grandview Court  
 Cheshire, Connecticut 06410  
 (203) 699-1801 Fax (203) 699-1813  
 customerservice@mcguiremfg.com mcguiremfg.com

**PRODUCT SPECIFICATION**

**Part No.**

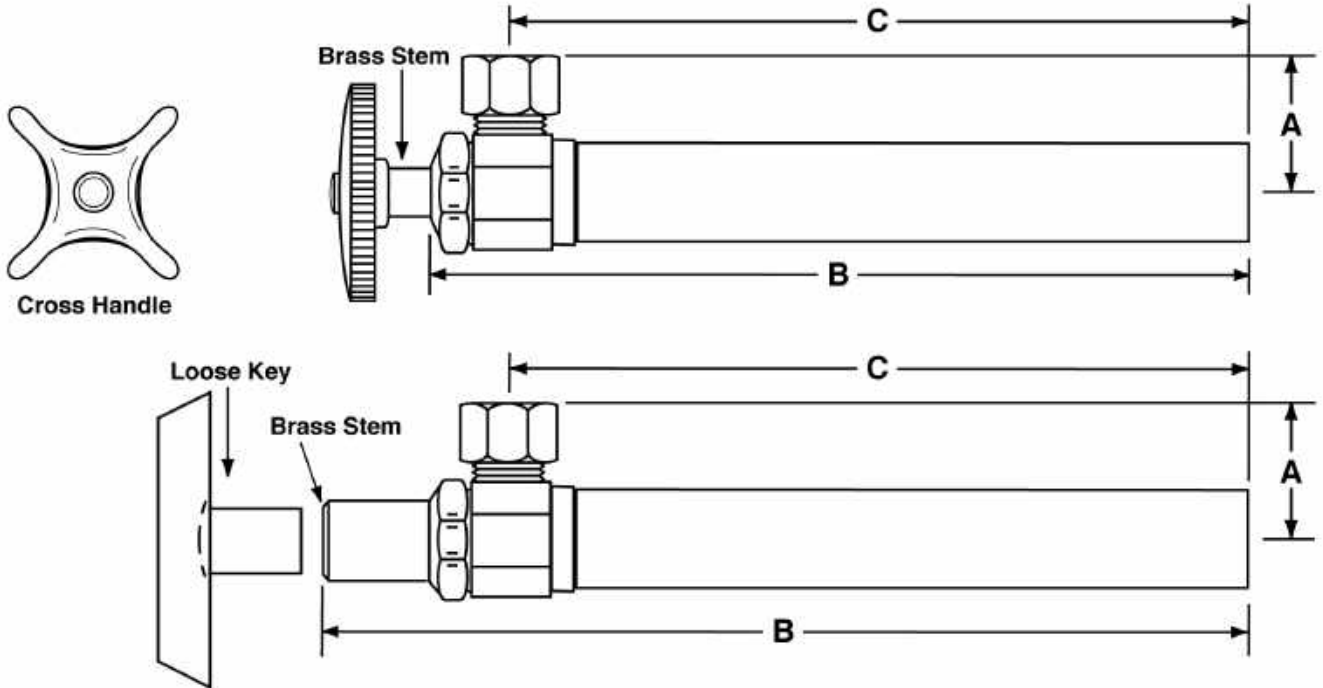
**LFST084LK**

**Angle Supply Stop  
 Copper Sweat x O.D.**

**Job Name:**

**Submittal Number:**

**Sweat with 5" Extension To Compression**



NO.	DESCRIPTION	ROUGHING MEASUREMENTS		
		A	B	C
LFST084LK	1/2" Copper Sweat x 1/2" O.D.	1-3/16"	6-7/8"	5-1/2"

- Rated Operating Pressure: 20-125 PSI
- Rated Operating Temperature: 40-140°F
- Note: 180°F max. during temporary high-temperature system flush

**LK** designates *Loose Key*

**X** designates *Heavy Brass Cross Handle*

See options and accessories section for details on product variations.



**Specifications:**

Chrome plated brass, supply stop valve with full turn brass stem. Inlet shall be (3/8, 1/2) inch (IPS, sweat, compression). Outlet shall be (3/8, 1/2) inch (IPS, compression). Supply stop valve shall be McGuire \_\_\_\_\_ . Supply stop valve shall be certified by recognized authority and bear manufacturer and testing mark.



**WARNING:**

This product can expose you to chemicals including lead, which is known to the State of California to cause cancer, and birth defects or other reproductive harm. For more information go to [www.P65Warnings.ca.gov](http://www.P65Warnings.ca.gov).



**McGuire Manufacturing Co., Inc.**

60 Grandview Court  
Cheshire, Connecticut 06410  
(203) 699-1801 Fax (203) 699-1813  
customerservice@mcguiremfg.com mcguiremfg.com

**PRODUCT SPECIFICATION**

**Part No.**

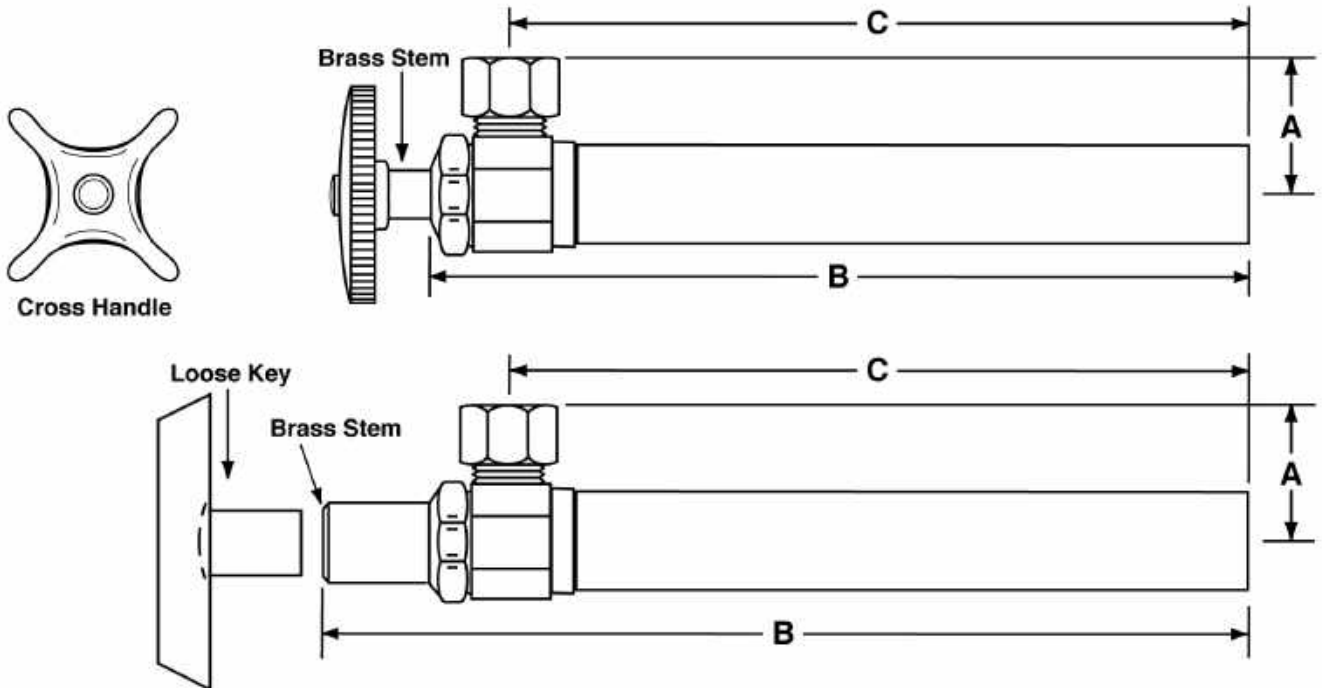
**LFST084X**

**Angle Supply Stop  
Copper Sweat x O.D.**

**Job Name:**

**Submittal Number:**

## Sweat with 5" Extension To Compression



NO.	DESCRIPTION	ROUGHING MEASUREMENTS		
		A	B	C
LFST084X	1/2" Copper Sweat x 1/2" O.D.	1-3/16"	6"	5-1/2"

- Rated Operating Pressure: 20-125 PSI
- Rated Operating Temperature: 40-140°F
- Note: 180°F max. during temporary high-temperature system flush

**LK** designates *Loose Key*

**X** designates *Heavy Brass Cross Handle*

See options and accessories section for details on product variations.



### Specifications:

Chrome plated brass, supply stop valve with full turn brass stem. Inlet shall be (3/8, 1/2) inch (IPS, sweat, compression). Outlet shall be (3/8, 1/2) inch (IPS, compression). Supply stop valve shall be McGuire \_\_\_\_\_ . Supply stop valve shall be certified by recognized authority and bear manufacturer and testing mark.

#### **WARNING:**

This product can expose you to chemicals including lead, which is known to the State of California to cause cancer, and birth defects or other reproductive harm. For more information go to [www.P65Warnings.ca.gov](http://www.P65Warnings.ca.gov).





**McGuire Manufacturing Co., Inc.**

60 Grandview Court

Cheshire, Connecticut 06410

(203) 699-1801 Fax (203) 699-1813

customerservice@mcguiremfg.com mcguiremfg.com

**PRODUCT SPECIFICATION**

**Part No.**

**LFST155LKSB**

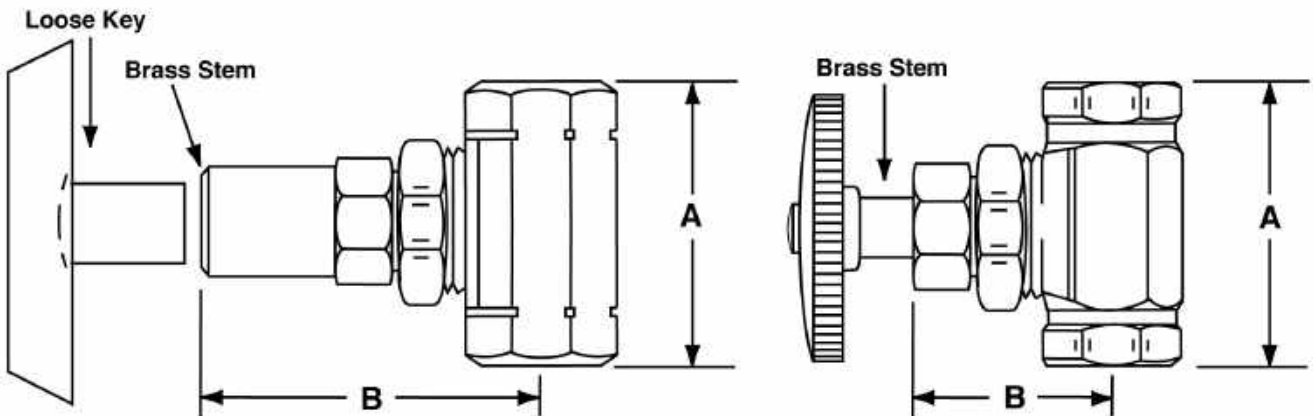
**Straight Supply Stop**

**I.P.S. x I.P.S.**

**Job Name:**

**Submittal Number:**

## Pipe to Pipe with Stuffing Box



NO.	DESCRIPTION	ROUGHING MEASUREMENTS	
		A	B
LFST155LKSB	1/2" I.P.S. x 1/2" I.P.S.	1-3/4"	1-3/4"

- Rated Operating Pressure: 20-125 PSI
- Rated Operating Temperature: 40-140°F
- Note: 180°F max. during temporary high-temperature system flush

**SB** designates *Stuffing Box*

**LK** designates *Loose Key*

See options and accessories section for details on product variations.



### Specifications:

Chrome plated brass, supply stop valve with full turn brass stem. Inlet shall be (3/8, 1/2) inch (IPS, sweat, compression). Outlet shall be (3/8, 1/2) inch (IPS, compression). Supply stop valve shall be McGuire \_\_\_\_\_ . Supply stop valve shall be certified by recognized testing authority and bear manufacturer and testing mark.



**WARNING:**

This product can expose you to chemicals including lead, which is known to the State of California to cause cancer, and birth defects or other reproductive harm. For more information go to [www.P65Warnings.ca.gov](http://www.P65Warnings.ca.gov).



**McGuire Manufacturing Co., Inc.**

60 Grandview Court

Cheshire, Connecticut 06410

(203) 699-1801 Fax (203) 699-1813

customerservice@mcguiremfg.com mcguiremfg.com

**PRODUCT SPECIFICATION**

**Part No.**

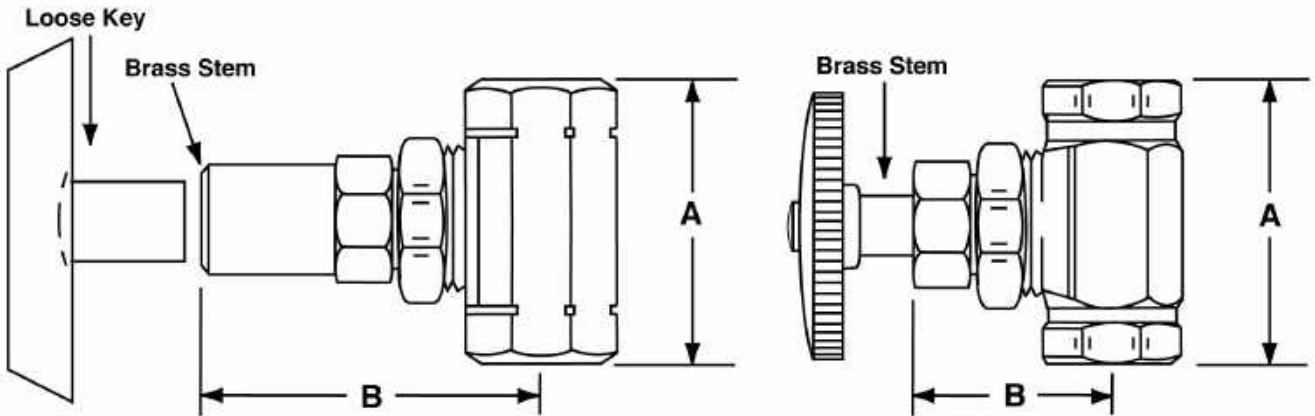
**LFST155SB**

**Straight Supply Stop  
I.P.S. x I.P.S.**

**Job Name:**

**Submittal Number:**

# Pipe to Pipe with Stuffing Box



NO.	DESCRIPTION	ROUGHING MEASUREMENTS	
		A	B
LFST155SB	1/2" I.P.S. x 1/2" I.P.S.	1-3/4"	1-1/4"

- Rated Operating Pressure: 20-125 PSI
- Rated Operating Temperature: 40-140°F
- Note: 180°F max. during temporary high-temperature system flush

**SB** designates *Stuffing Box*

**LK** designates *Loose Key*

See options and accessories section for details on product variations.



## Specifications:

Chrome plated brass, supply stop valve with full turn brass stem. Inlet shall be (3/8, 1/2) inch (IPS, sweat, compression). Outlet shall be (3/8, 1/2) inch (IPS, compression). Supply stop valve shall be McGuire \_\_\_\_\_ . Supply stop valve shall be certified by recognized testing authority and bear manufacturer and testing mark.



**WARNING:**

This product can expose you to chemicals including lead, which is known to the State of California to cause cancer, and birth defects or other reproductive harm. For more information go to [www.P65Warnings.ca.gov](http://www.P65Warnings.ca.gov).



**McGuire Manufacturing Co., Inc.**

60 Grandview Court

Cheshire, Connecticut 06410

(203) 699-1801 Fax (203) 699-1813

customerservice@mcguiremfg.com mcguiremfg.com

**PRODUCT SPECIFICATION**

**Part No.**

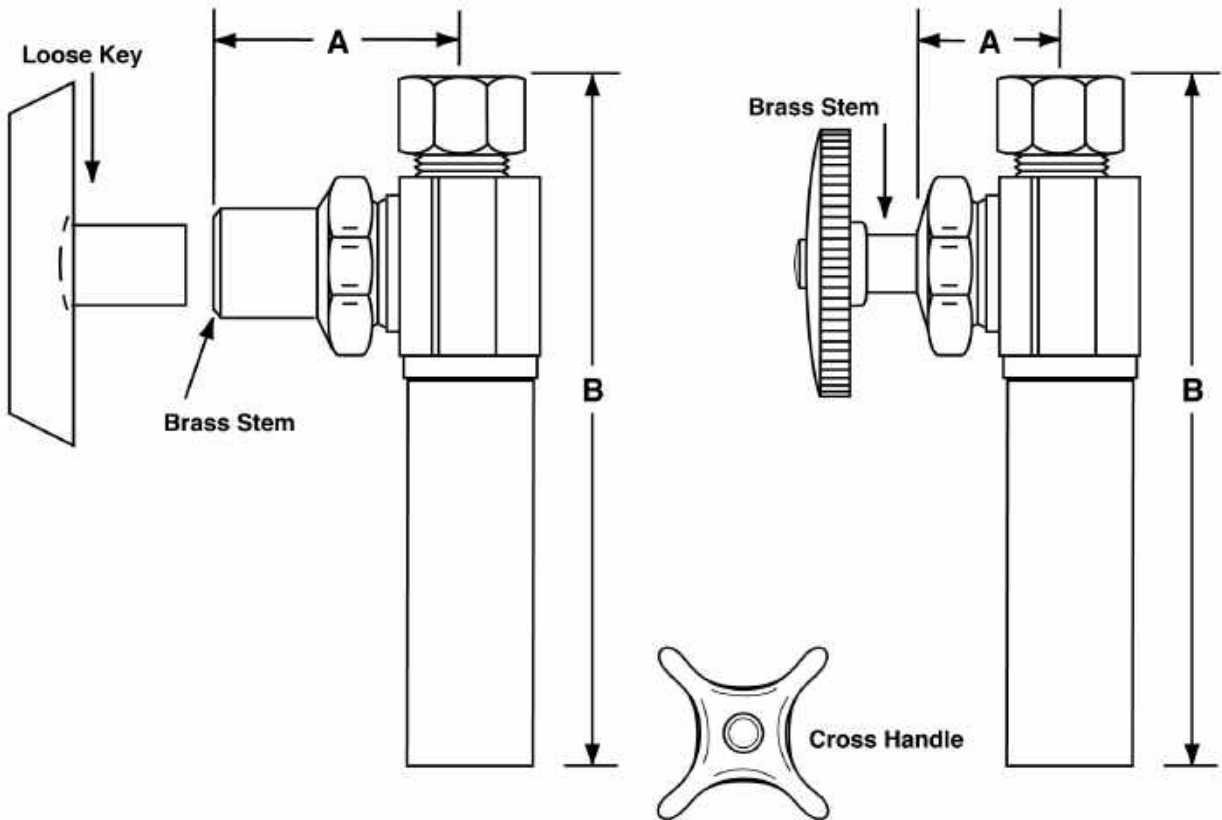
**LFST182**

**Straight Supply Stop  
Copper Sweat x O.D.**

**Job Name:**

**Submittal Number:**

# Sweat with 5" Extension to Compression



NO.	DESCRIPTION	ROUGHING MEASUREMENTS	
		A	B
LFST182	1/2" Copper Sweat x 3/8" O.D.	7/8"	6-5/8"

- Rated Operating Pressure: 20-125 PSI
- Rated Operating Temperature: 40-140°F
- Note: 180°F max. during temporary high-temperature system flush

**LK** designates *Loose Key*

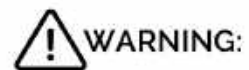
**X** designates *Heavy Brass Cross Handle*

See options and accessories section for details on product variations.



## Specifications:

Chrome plated brass, supply stop valve with full turn brass stem. Inlet shall be (3/8, 1/2) inch (IPS, sweat, compression). Outlet shall be (3/8, 1/2) inch (IPS, compression). Supply stop valve shall be McGuire \_\_\_\_\_ . Supply stop valve shall be certified by recognized testing authority and bear manufacturer and testing mark.



This product can expose you to chemicals including lead, which is known to the State of California to cause cancer, and birth defects or other reproductive harm. For more information go to [www.P65Warnings.ca.gov](http://www.P65Warnings.ca.gov).



**McGuire Manufacturing Co., Inc.**

60 Grandview Court

Cheshire, Connecticut 06410

(203) 699-1801 Fax (203) 699-1813

customerservice@mcguiremfg.com mcguiremfg.com

**PRODUCT SPECIFICATION**

**Part No.**

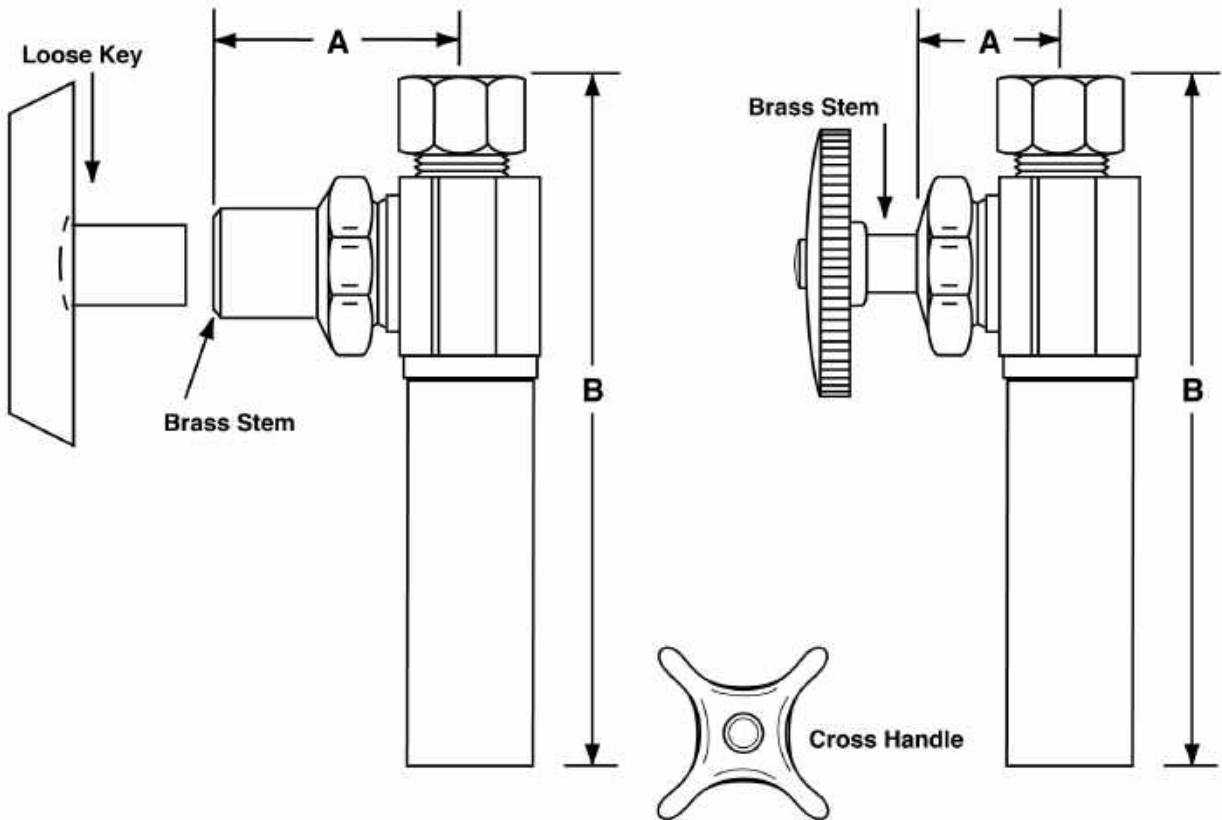
**LFST182LK**

**Straight Supply Stop  
Copper Sweat x O.D.**

**Job Name:**

**Submittal Number:**

# Sweat with 5" Extension to Compression



NO.	DESCRIPTION	ROUGHING MEASUREMENTS	
		A	B
LFST182LK	1/2" Copper Sweat x 3/8" O.D.	1-1/2	6-5/8"

- Rated Operating Pressure: 20-125 PSI
- Rated Operating Temperature: 40-140°F
- Note: 180°F max. during temporary high-temperature system flush

**LK** designates *Loose Key*

**X** designates *Heavy Brass Cross Handle*

See options and accessories section for details on product variations.



## Specifications:

Chrome plated brass, supply stop valve with full turn brass stem. Inlet shall be (3/8, 1/2) inch (IPS, sweat, compression). Outlet shall be (3/8, 1/2) inch (IPS, compression). Supply stop valve shall be McGuire \_\_\_\_\_ . Supply stop valve shall be certified by recognized testing authority and bear manufacturer and testing mark.



This product can expose you to chemicals including lead, which is known to the State of California to cause cancer, and birth defects or other reproductive harm. For more information go to [www.P65Warnings.ca.gov](http://www.P65Warnings.ca.gov).



**McGuire Manufacturing Co., Inc.**

60 Grandview Court

Cheshire, Connecticut 06410

(203) 699-1801 Fax (203) 699-1813

customerservice@mcguiremfg.com mcguiremfg.com

**PRODUCT SPECIFICATION**

**Part No.**

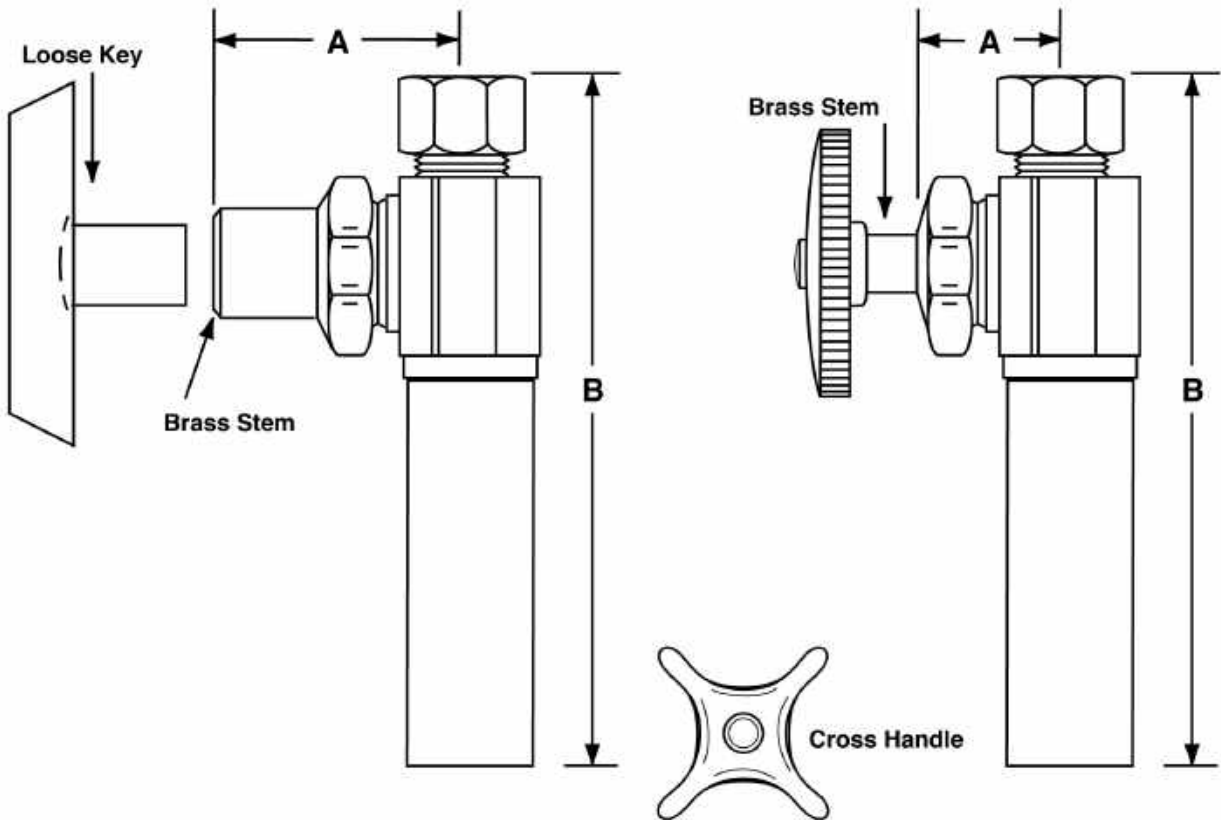
**LFST182X**

**Straight Supply Stop  
Copper Sweat x O.D.**

**Job Name:**

**Submittal Number:**

# Sweat with 5" Extension to Compression



NO.	DESCRIPTION	ROUGHING MEASUREMENTS	
		A	B
LFST182X	1/2" Copper Sweat x 3/8" O.D.	7/8"	6-5/8"

- Rated Operating Pressure: 20-125 PSI
- Rated Operating Temperature: 40-140°F
- Note: 180°F max. during temporary high-temperature system flush

**LK** designates *Loose Key*

**X** designates *Heavy Brass Cross Handle*

See options and accessories section for details on product variations.



## Specifications:

Chrome plated brass, supply stop valve with full turn brass stem. Inlet shall be (3/8, 1/2) inch (IPS, sweat, compression). Outlet shall be (3/8, 1/2) inch (IPS, compression). Supply stop valve shall be McGuire \_\_\_\_\_ . Supply stop valve shall be certified by recognized testing authority and bear manufacturer and testing mark.



**WARNING:**

This product can expose you to chemicals including lead, which is known to the State of California to cause cancer, and birth defects or other reproductive harm. For more information go to [www.P65Warnings.ca.gov](http://www.P65Warnings.ca.gov).



**McGuire Manufacturing Co., Inc.**

60 Grandview Court  
Cheshire, Connecticut 06410  
(203) 699-1801 Fax (203) 699-1813  
customerservice@mcguiremfg.com mcguiremfg.com

**PRODUCT SPECIFICATION**

**Part No.**

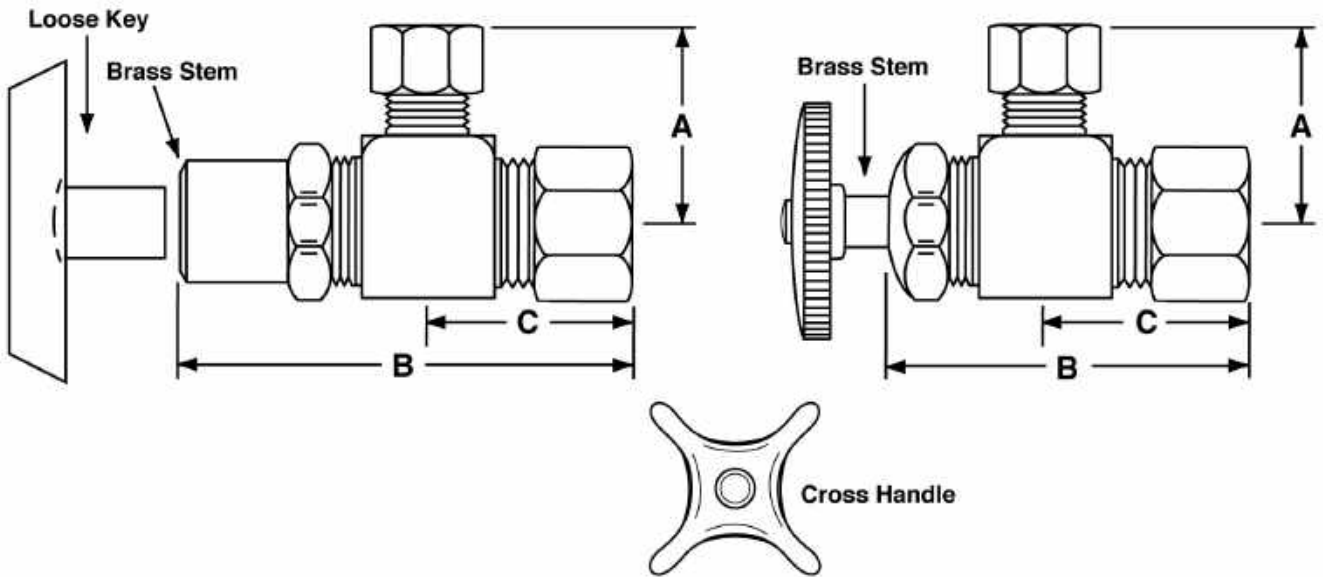
**LFHST09**

**Premier Angle Supply Stop  
Nominal x O.D.**

**Job Name:**

**Submittal Number:**

# Compression to Compression



NO.	DESCRIPTION	ROUGHING MEASUREMENTS		
		A	B	C
LFHST09	1/2" Nominal x 3/8" O.D.	1-3/8"	2-1/4"	1-3/8"

- Rated Operating Pressure: 20-125 PSI
- Rated Operating Temperature: 40-140°F
- Note: 180°F max. during temporary high-temperature system flush

**LK** designates *Loose Key*

**X** designates *Heavy Brass Cross Handle*

See options and accessories section for details on product variations.



## Specifications:

Chrome plated brass, heavy supply stop valve with full turn brass stem. Inlet shall be (3/8, 1/2) inch (IPS, sweat, compression). Outlet shall be (3.8, 1/2) inch (IPS, compression). Supply stop valve shall be McGuire \_\_\_\_\_. Supply stop valve shall be recognized by testing authority and bear manufacturer and testing mark.

### **WARNING:**

This product can expose you to chemicals including lead, which is known to the State of California to cause cancer, and birth defects or other reproductive harm. For more information go to [www.P65Warnings.ca.gov](http://www.P65Warnings.ca.gov).



**McGuire Manufacturing Co., Inc.**

60 Grandview Court

Cheshire, Connecticut 06410

(203) 699-1801 Fax (203) 699-1813

customerservice@mcguiremfg.com mcguiremfg.com

**PRODUCT SPECIFICATION**

**Part No.**

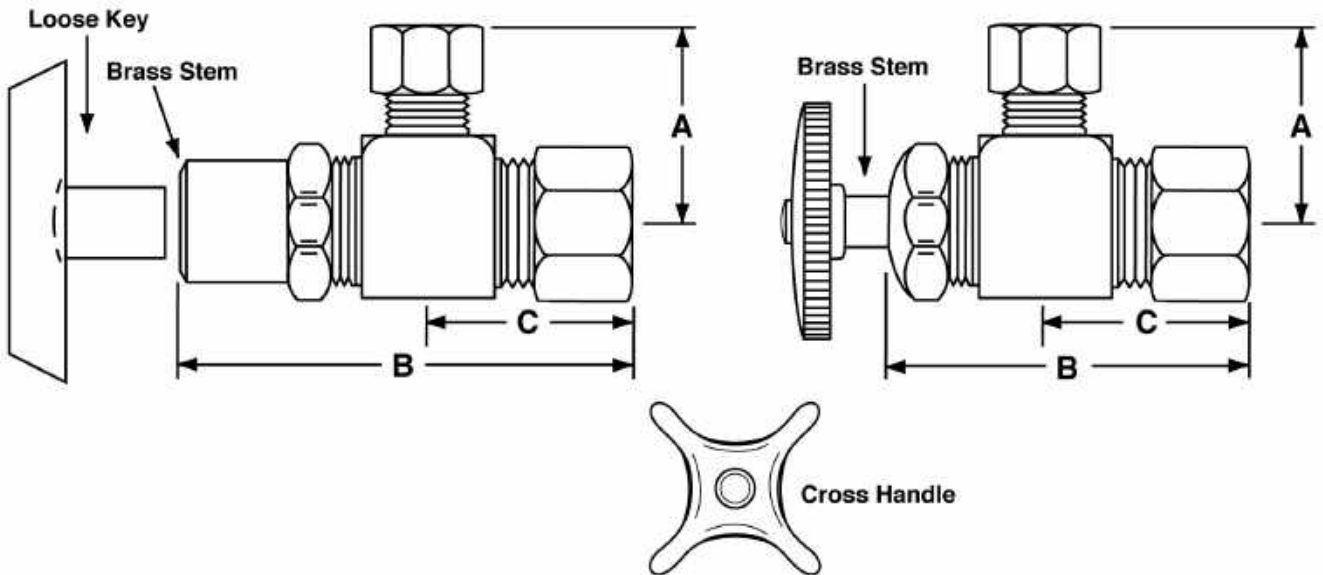
**LFHST09LK**

**Premier Angle Supply Stop  
Nominal x O.D.**

**Job Name:**

**Submittal Number:**

# Compression to Compression



NO.	DESCRIPTION	ROUGHING MEASUREMENTS		
		A	B	C
LFHST09LK	1/2" Nominal x 3/8" O.D.	1-3/8"	2-3/4"	1-3/8"

- Rated Operating Pressure: 20-125 PSI
- Rated Operating Temperature: 40-140°F
- Note: 180°F max. during temporary high-temperature system flush

**LK** designates *Loose Key*

**X** designates *Heavy Brass Cross Handle*

See options and accessories section for details on product variations.



## Specifications:

Chrome plated brass, heavy supply stop valve with full turn brass stem. Inlet shall be (3/8, 1/2) inch (IPS, sweat, compression). Outlet shall be (3.8, 1/2) inch (IPS, compression). Supply stop valve shall be McGuire \_\_\_\_\_. Supply stop valve shall be recognized by testing authority and bear manufacturer and testing mark.

### **WARNING:**

This product can expose you to chemicals including lead, which is known to the State of California to cause cancer, and birth defects or other reproductive harm. For more information go to [www.P65Warnings.ca.gov](http://www.P65Warnings.ca.gov).



**McGuire Manufacturing Co., Inc.**

60 Grandview Court

Cheshire, Connecticut 06410

(203) 699-1801 Fax (203) 699-1813

customerservice@mcguiremfg.com mcguiremfg.com

**PRODUCT SPECIFICATION**

**Part No.**

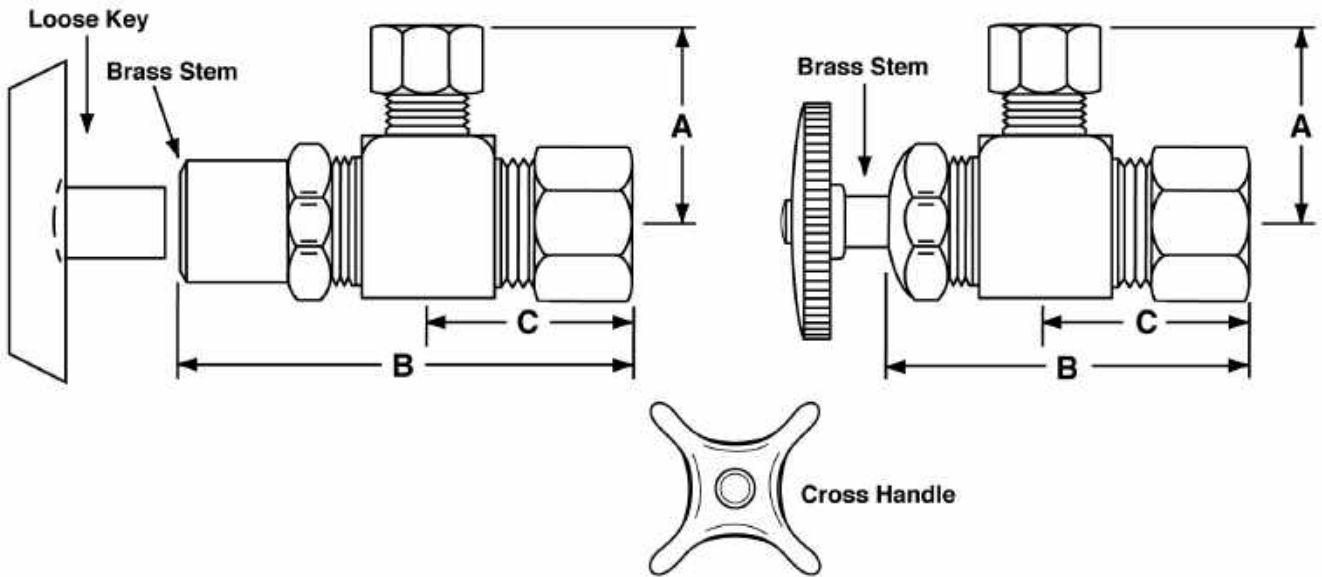
**LFHST09X**

**Premier Angle Supply Stop  
Nominal x O.D.**

**Job Name:**

**Submittal Number:**

# Compression to Compression



NO.	DESCRIPTION	ROUGHING MEASUREMENTS		
		A	B	C
LFHST09X	1/2" Nominal x 3/8" O.D.	1-3/8"	2-1/4"	1-3/8"

- Rated Operating Pressure: 20-125 PSI
- Rated Operating Temperature: 40-140°F
- Note: 180°F max. during temporary high-temperature system flush

**LK** designates *Loose Key*

**X** designates *Heavy Brass Cross Handle*

See options and accessories section for details on product variations.



## Specifications:

Chrome plated brass, heavy supply stop valve with full turn brass stem. Inlet shall be (3/8, 1/2) inch (IPS, sweat, compression). Outlet shall be (3.8, 1/2) inch (IPS, compression). Supply stop valve shall be McGuire \_\_\_\_\_. Supply stop valve shall be recognized by testing authority and bear manufacturer and testing mark.

### **WARNING:**

This product can expose you to chemicals including lead, which is known to the State of California to cause cancer, and birth defects or other reproductive harm. For more information go to [www.P65Warnings.ca.gov](http://www.P65Warnings.ca.gov).





**McGuire Manufacturing Co., Inc.**

60 Grandview Court  
Cheshire, Connecticut 06410  
(203) 699-1801 Fax (203) 699-1813  
customerservice@mcguiremfg.com mcguiremfg.com

**PRODUCT SPECIFICATION**

**Part No.**

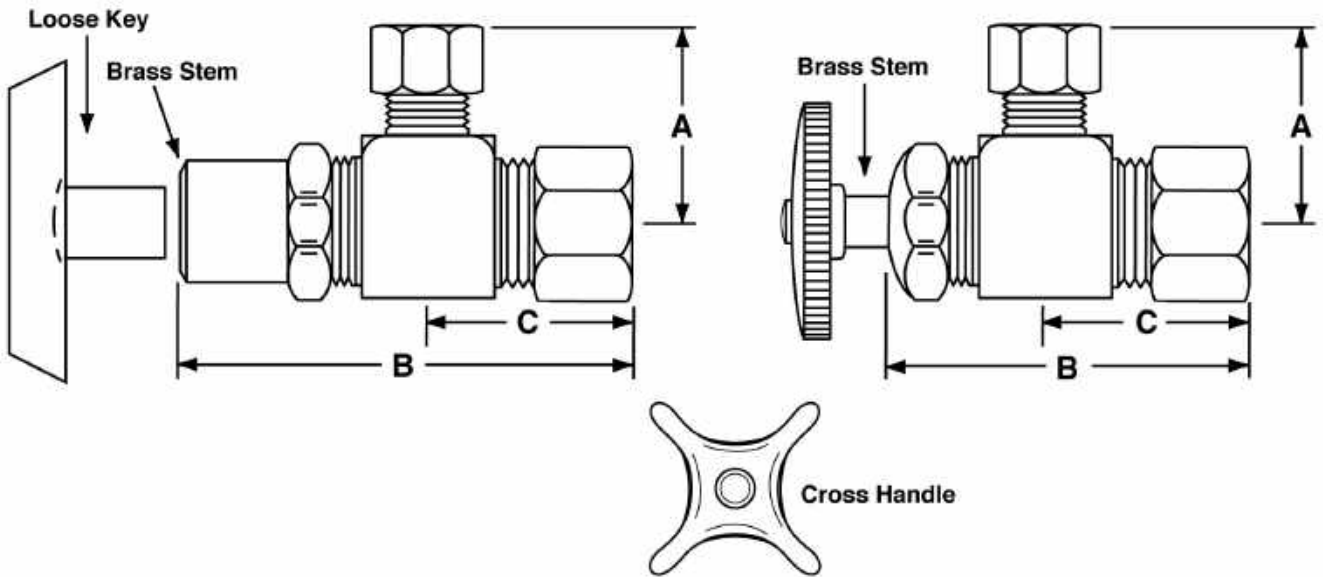
**LFHST10**

**Premier Angle Supply Stop  
Nominal x O.D.**

**Job Name:**

**Submittal Number:**

# Compression to Compression



NO.	DESCRIPTION	ROUGHING MEASUREMENTS		
		A	B	C
LFHST10	1/2" Nominal x 1/2" O.D.	1-1/2"	2-1/4"	1-3/8"

- Rated Operating Pressure: 20-125 PSI
- Rated Operating Temperature: 40-140°F
- Note: 180°F max. during temporary high-temperature system flush

**LK** designates *Loose Key*

**X** designates *Heavy Brass Cross Handle*

See options and accessories section for details on product variations.



## Specifications:

Chrome plated brass, heavy supply stop valve with full turn brass stem. Inlet shall be (3/8, 1/2) inch (IPS, sweat, compression). Outlet shall be (3.8, 1/2) inch (IPS, compression). Supply stop valve shall be McGuire \_\_\_\_\_. Supply stop valve shall be recognized by testing authority and bear manufacturer and testing mark.



### WARNING:

This product can expose you to chemicals including lead, which is known to the State of California to cause cancer, and birth defects or other reproductive harm. For more information go to [www.P65Warnings.ca.gov](http://www.P65Warnings.ca.gov).



**McGuire Manufacturing Co., Inc.**

60 Grandview Court  
 Cheshire, Connecticut 06410  
 (203) 699-1801 Fax (203) 699-1813  
 customerservice@mcguiremfg.com mcguiremfg.com

**PRODUCT SPECIFICATION**

**Part No.**

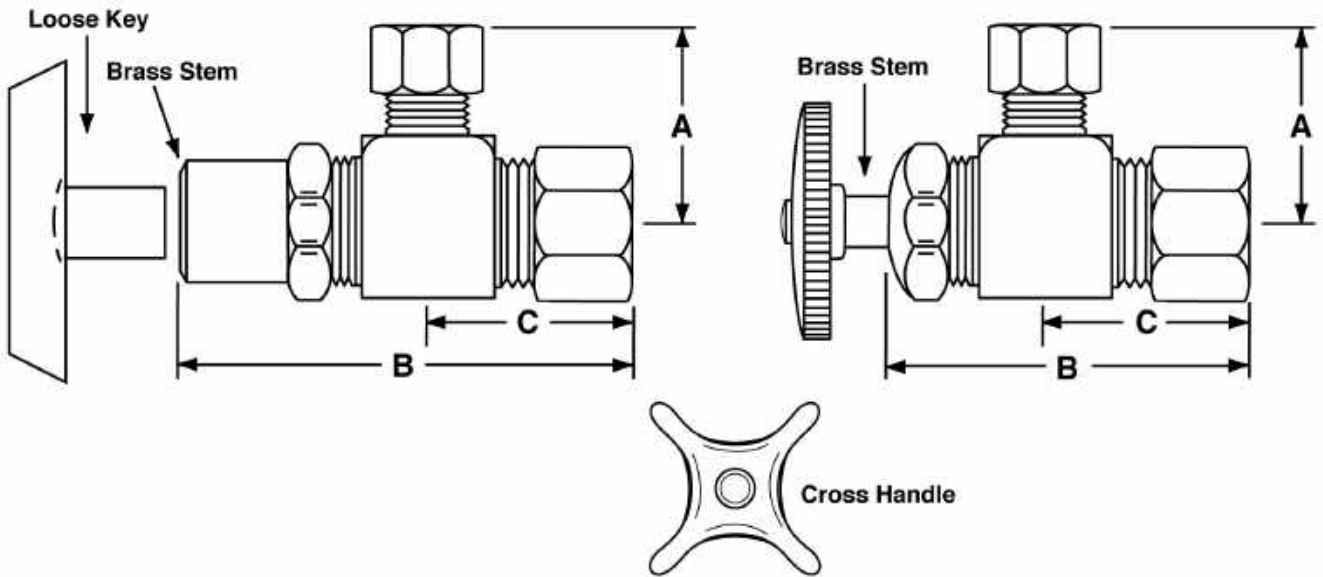
**LFHST10LK**

**Premier Angle Supply Stop  
 Nominal x O.D.**

**Job Name:**

**Submittal Number:**

**Compression to Compression**



NO.	DESCRIPTION	ROUGHING MEASUREMENTS		
		A	B	C
LFHST10LK	1/2" Nominal x 1/2" O.D.	1-1/2"	2-3/4"	1-3/8"

- Rated Operating Pressure: 20-125 PSI
- Rated Operating Temperature: 40-140°F
- Note: 180°F max. during temporary high-temperature system flush

**LK** designates *Loose Key*

**X** designates *Heavy Brass Cross Handle*

See options and accessories section for details on product variations.



**Specifications:**

Chrome plated brass, heavy supply stop valve with full turn brass stem. Inlet shall be (3/8, 1/2) inch (IPS, sweat, compression). Outlet shall be (3.8, 1/2) inch (IPS, compression). Supply stop valve shall be McGuire \_\_\_\_\_. Supply stop valve shall be recognized by testing authority and bear manufacturer and testing mark.



**WARNING:**

This product can expose you to chemicals including lead, which is known to the State of California to cause cancer, and birth defects or other reproductive harm. For more information go to [www.P65Warnings.ca.gov](http://www.P65Warnings.ca.gov).



**McGuire Manufacturing Co., Inc.**

60 Grandview Court  
Cheshire, Connecticut 06410  
(203) 699-1801 Fax (203) 699-1813  
customerservice@mcguiremfg.com mcguiremfg.com

**PRODUCT SPECIFICATION**

**Part No.**

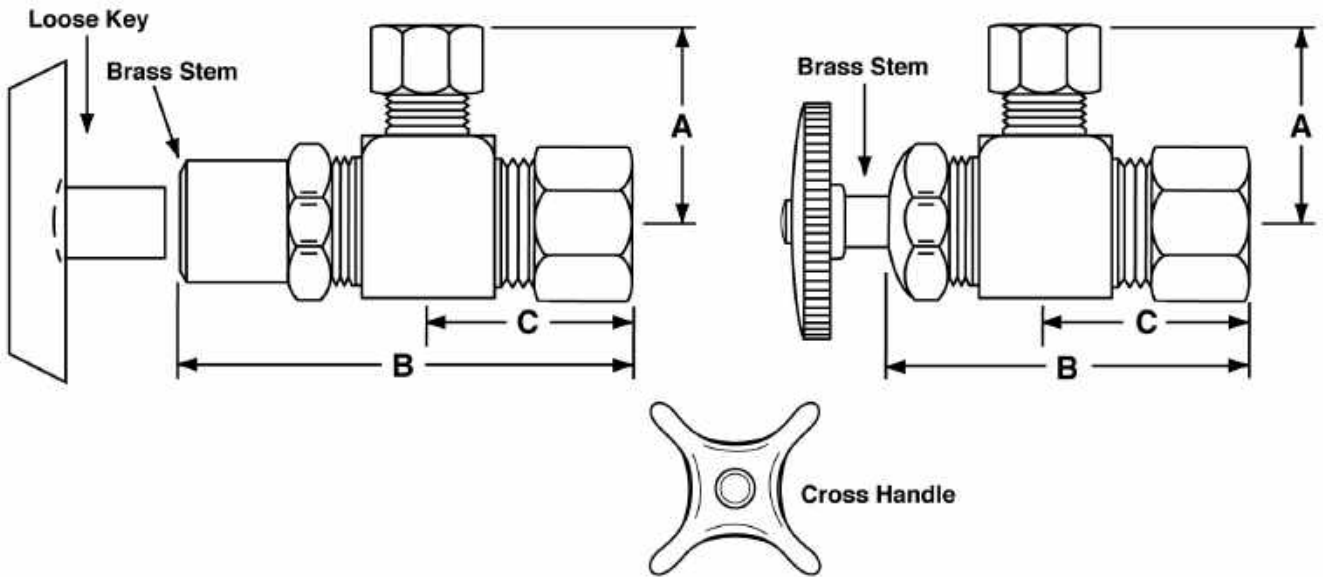
**LFHST10X**

**Premier Angle Supply Stop  
Nominal x O.D.**

**Job Name:**

**Submittal Number:**

# Compression to Compression



NO.	DESCRIPTION	ROUGHING MEASUREMENTS		
		A	B	C
LFHST10X	1/2" Nominal x 1/2" O.D.	1-1/2"	2-1/4"	1-3/8"

- Rated Operating Pressure: 20-125 PSI
- Rated Operating Temperature: 40-140°F
- Note: 180°F max. during temporary high-temperature system flush

**LK** designates *Loose Key*

**X** designates *Heavy Brass Cross Handle*

See options and accessories section for details on product variations.



## Specifications:

Chrome plated brass, heavy supply stop valve with full turn brass stem. Inlet shall be (3/8, 1/2) inch (IPS, sweat, compression). Outlet shall be (3.8, 1/2) inch (IPS, compression). Supply stop valve shall be McGuire \_\_\_\_\_. Supply stop valve shall be recognized by testing authority and bear manufacturer and testing mark.



**WARNING:**

This product can expose you to chemicals including lead, which is known to the State of California to cause cancer, and birth defects or other reproductive harm. For more information go to [www.P65Warnings.ca.gov](http://www.P65Warnings.ca.gov).